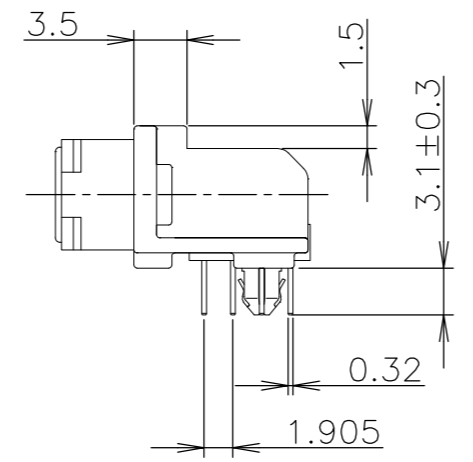
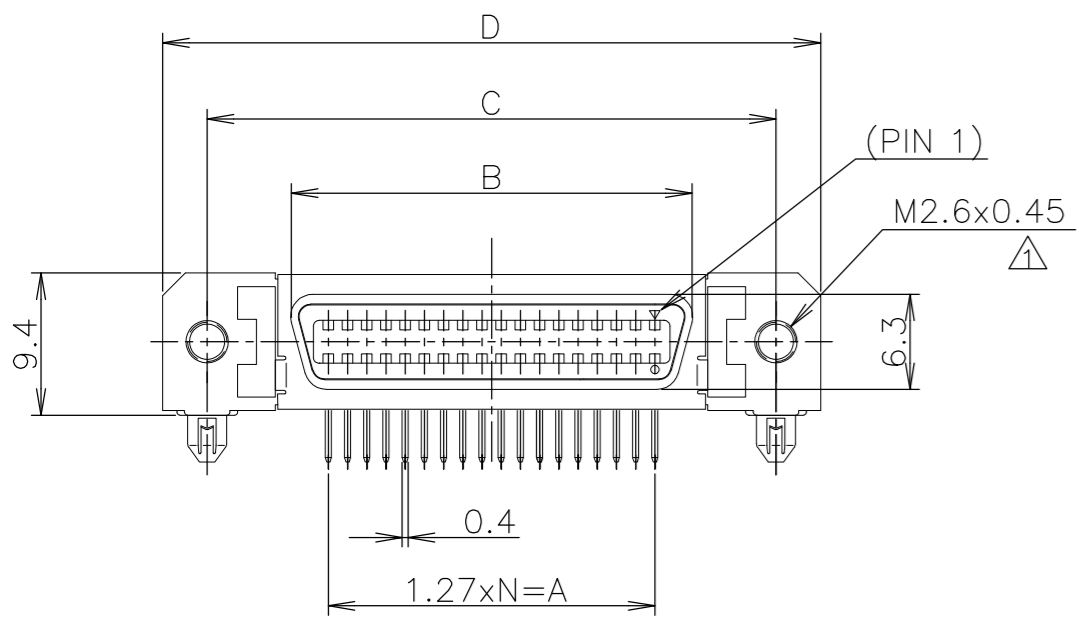
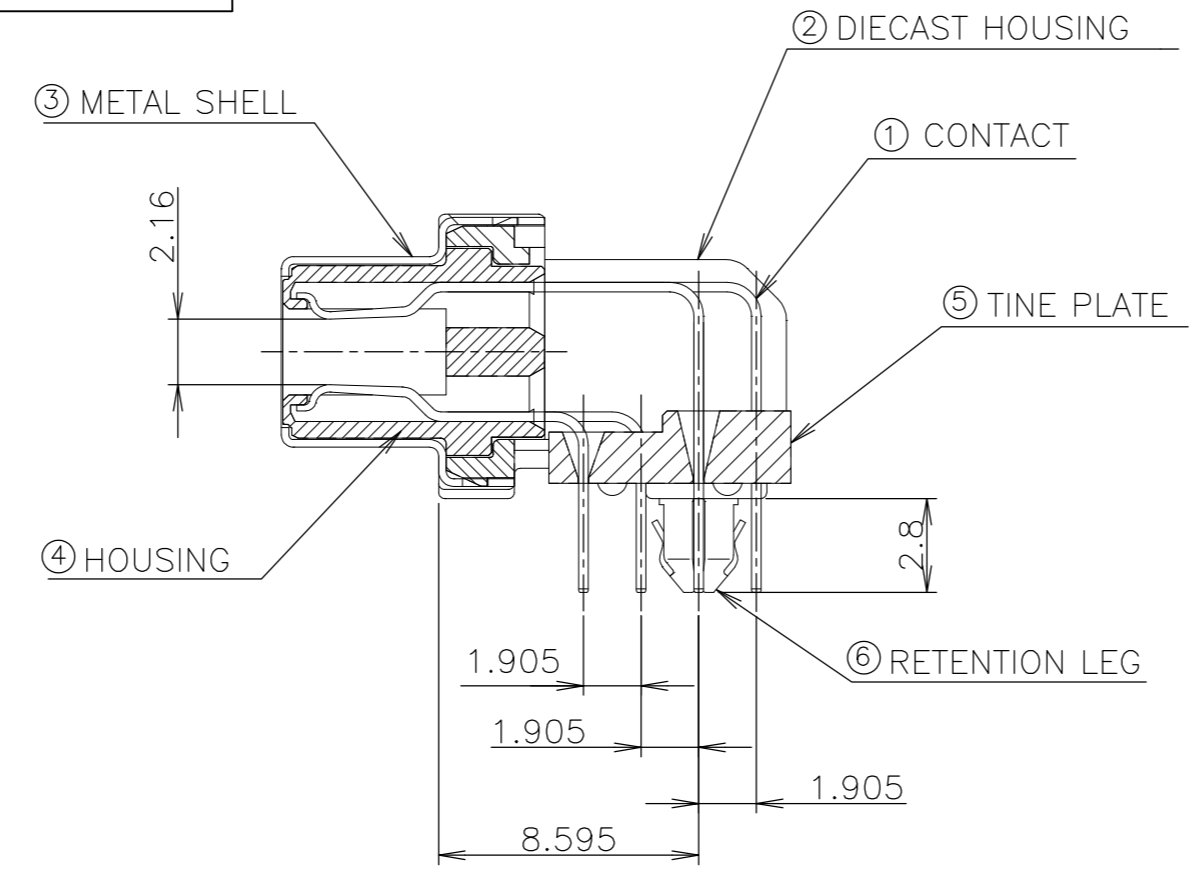
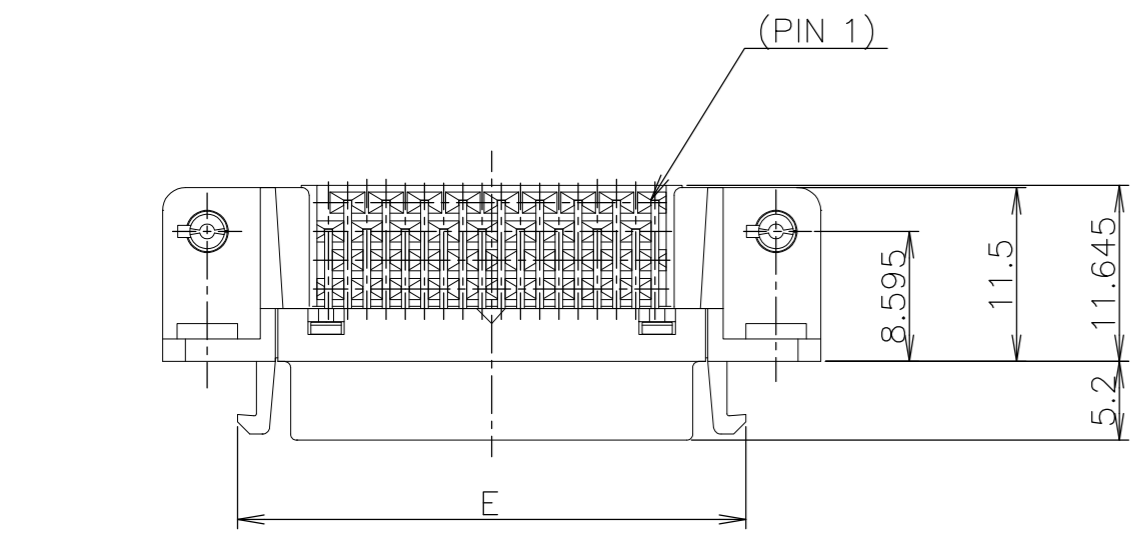
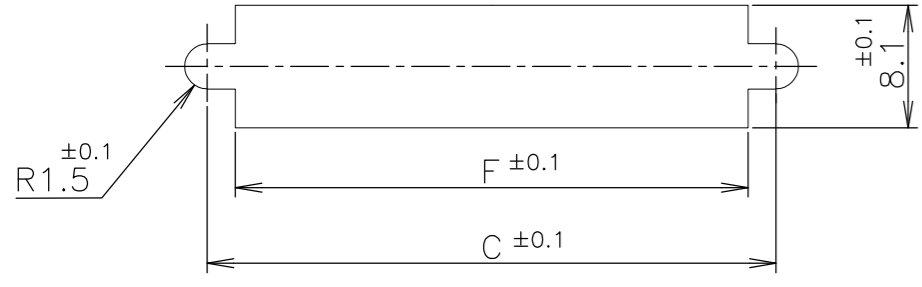
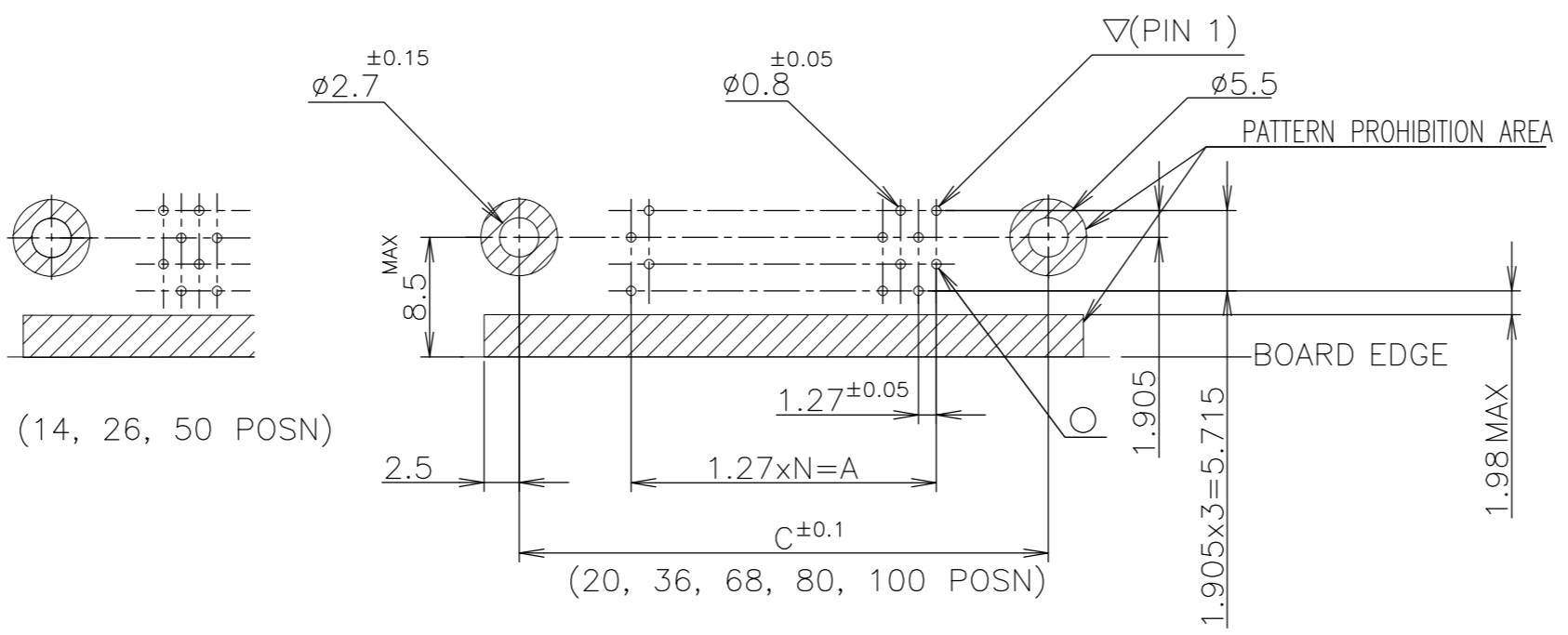
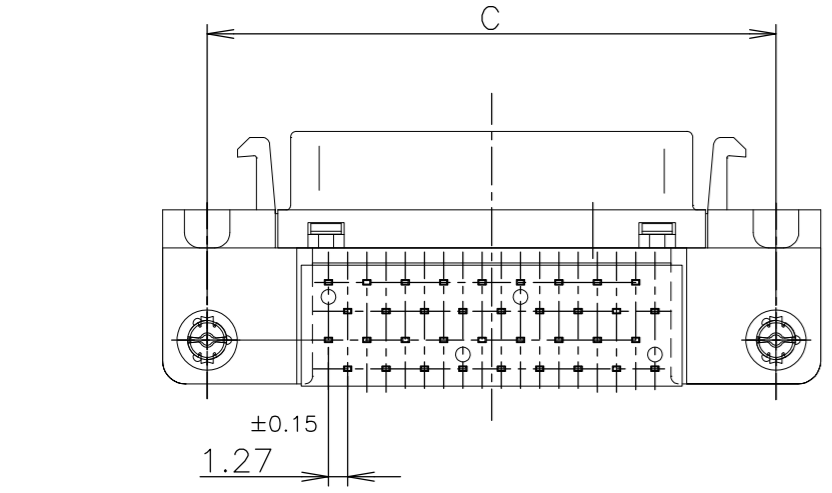


LOC	DIST	REVISIONS					
		P	LTR	DESCRIPTION	DATE	DWN	APVD
J		A1		REVISED PER ECO-11-005033	25MAR11	RK	HMR

ITEM	MATERIAL	FINISH
①	COPPER ALLOY	NICKEL UNDER PLATE ALL OVER CONTACT AREA ; Au(0.3u, 0.76u) SOLDER TINE AREA ; TIN PLATE
②	ZINC	NICKEL PLATING
③	STEEL t0.25	NICKEL PLATE OVER COPPER UNDERPLATE
④	THERMO-PLASTIC(UL:94V-0)	COLOR; BLACK
⑤		
⑥	COPPER ALLOY	TIN PLATE OVER NICKEL UNDERPLATE



- NOTES:
 1. RECOMMENDED SCREW SIZE ; M2.6 PANHEAD SCREW(L=5)
 2. RECOMMENDED P.C BOARD THICKNESS ; 1.6mm (REF)
 3. CONNECTOR TO BE MATED;175677
 4. INSERTION FORCE OF RETENTION LEG TO P.C.B; 21.56N(2.2kgf) MAX/CONNECTOR.
 5. RETENTIVITY OF RETENTION LEG TO P.C.B; 4.9N(0.5kgf) MIN/CONNECTOR.



RECOMMENDED PC BOARD MOUNTING DIMENSION (COMPONENT SIDE)

39	61.9	61.55	71.45	65.55	54.53	49.53	0.76um	80	3-5178238-0
49	74.6	74.25	84.15	78.25	67.23	62.23	0.76um	100	2-5178238-9
33	54.2	53.93	63.83	57.93	46.91	41.91	0.76um	68	2-5178238-8
24	42.8	42.50	52.40	46.50	35.48	30.48	0.76um	50	2-5178238-7
17	33.9	33.61	43.51	37.61	26.59	21.59	0.76um	36	2-5178238-5
12	27.6	27.26	37.16	31.26	20.24	15.24	0.76um	26	2-5178238-4
9	23.8	23.45	33.35	27.45	16.43	11.43	0.76um	20	2-5178238-2
6	19.9	19.64	29.54	23.64	12.62	7.62	0.76um	14	2-5178238-1
39	61.9	61.55	71.45	65.55	54.53	49.53	0.3 um	80	1-5178238-0
49	74.6	74.25	84.15	78.25	67.23	62.23	0.3 um	100	5178238-9
33	54.2	53.93	63.83	57.93	46.91	41.91	0.3 um	68	5178238-8
24	42.8	42.50	52.40	46.50	35.48	30.48	0.3 um	50	5178238-7
17	33.9	33.61	43.51	37.61	26.59	21.59	0.3 um	36	5178238-5
12	27.6	27.26	37.16	31.26	20.24	15.24	0.3 um	26	5178238-4
9	23.8	23.45	33.35	27.45	16.43	11.43	0.3 um	20	5178238-2
6	19.9	19.64	29.54	23.64	12.62	7.62	0.3 um	14	5178238-1
N	F	E	D	C	B	A	Au PLT.	POSITION	PART NO.

THIS DRAWING IS A CONTROLLED DOCUMENT.

DWN	T.KAWAMAE	13DEC04
CHK	I.ENOMOTO	13DEC04
APVD	I.ENOMOTO	13DEC04
PRODUCT SPEC	108-5288	
APPLICATION SPEC		

TE Connectivity

RECEPTACLE HDR ASSY (3.1mm)
 RETENTION LEG TYPE
 STANDARD CHAMP.050 SERIES (II)

SCALE: 2:1 SHEET: 1 OF 1 REV: A1

LEAD FREE

X-ON Electronics

Largest Supplier of Electrical and Electronic Components

Click to view similar products for [Headers & Wire Housings](#) category:

Click to view products by [TE Connectivity](#) manufacturer:

Other Similar products are found below :

[95000-104TRLF](#) [10135584-644402LF](#) [DF62W-EP2022PCA](#) [95000-106TRLF](#) [DF62W-2022SCA](#) [DF62W-EP2022PC](#) [2203348](#) [DF62W-2022SC](#) [1084018](#) [1029039](#) [1084017](#) [802-10-012-10-002000](#) [1112640](#) [1112639](#) [891-007-9SS-BST1T](#) [000-34000](#) [0008550134](#) [0009482033](#) [0009507031](#) [57102-F02-18ULF](#) [57102-S06-03LF](#) [57202-S52-04LF](#) [PCN6-15S-2.5E](#) [0039019024](#) [58102-G61-06LF](#) [582553-1](#) [0009485154](#) [0009508121](#) [0022285053](#) [0050291907](#) [018731A](#) [LY20-4P-DT1-P1E-BR](#) [02.125.8002.8](#) [60101931](#) [60598-1 \(Cut Strip\)](#) [M1625-3R/100](#) [61062-3](#) [61082-181009](#) [CSU011177004](#) [636-1427](#) [638009-1](#) [641938-9](#) [641991-4](#) [644168-1](#) [644827-2](#) [647662-1](#) [65039-019ELF](#) [65692-001LF](#) [65781-018](#) [65781-047](#)