

Apply Environmental Condition :

| No. | Item | Specification |
|-----|-----------------------------|---------------|
| 1-1 | Storage Temperature Range | -20°C ~ 60°C |
| 1-2 | Operating Temperature Range | -10°C ~ 50°C |
| 1-3 | Operating Voltage Range | 4.5V ~ 6V |

Standard Test Environment :

| | | |
|-----|---------------------------|--|
| 2-1 | Standard Test Environment | Every characteristic of the inspect must be normal temperature and humidity carry out the test , temperature 25±5°C and relative humidity 65±10% of judgment made in accordance with this specification standard testing conditions. |
|-----|---------------------------|--|

Electrical Specification (Function of the Performance) :

| No. | Item | 4.8V | 6.0V |
|-----|------------------------------|--------------|--------------|
| 4-1 | Operating speed (at no load) | 0.12 sec/60° | 0.11 sec/60° |
| 4-2 | Running current (at no load) | 160 mA | 180 mA |
| 4-3 | Stall torque (at locked) | 2.0 kg-cm | 2.7 kg-cm |
| 4-4 | Stall current (at locked) | 680 mA | 800 mA |
| 4-5 | Idle current (at stopped) | 4 mA | 5 mA |

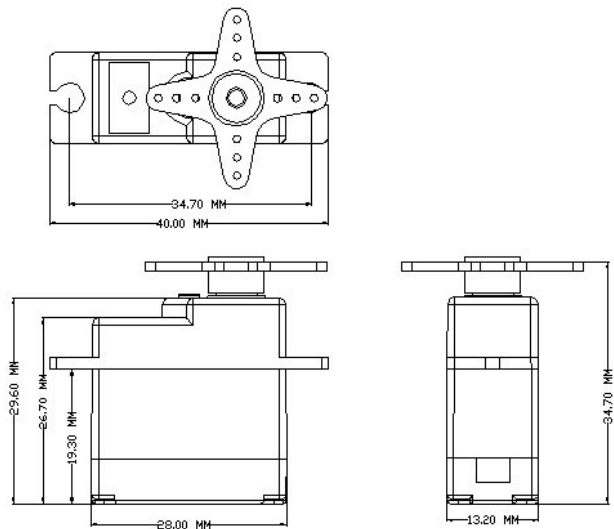
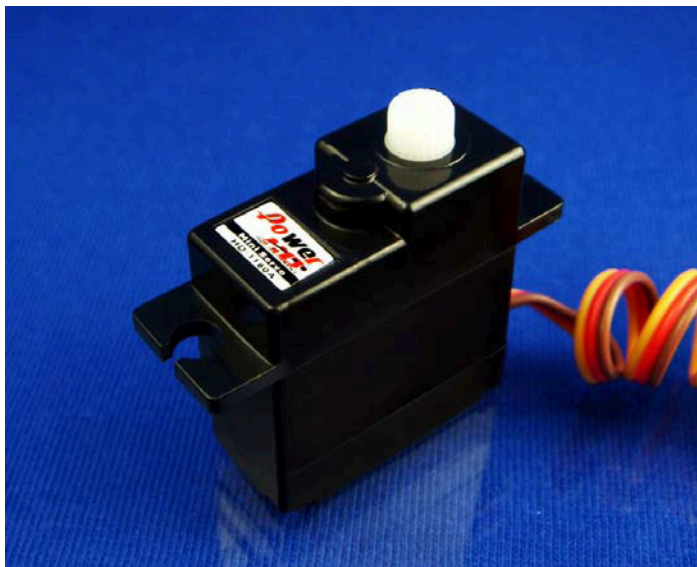
Note: Item 4-2 definition is average value when the servo running with no load

Mechanical Specification :

| No. | Item | Specification |
|-----|-----------------------|-----------------------------------|
| 5-1 | Overall Dimensions | See the drawing |
| 5-2 | Limit angle | 180° ± 10° |
| 5-3 | Weight | 17 ± 1 grams (without servo horn) |
| 5-4 | Connector wire gauge | # 26 PVC |
| 5-5 | Connector wire length | 150 ± 5 mm |
| 5-6 | Horn gear spline | 25T / φ 5.77 |
| 5-7 | Horn type | Cross , Disk , Star , Bar |
| 5-8 | Reduction ratio | 1/313 |

Control Specification :

| No. | Item | Specification |
|-----|--------------------|-------------------------------------|
| 6-1 | Control system | Pulse width modification |
| 6-2 | Amplifier type | Analog controller |
| 6-3 | Operating travel | 90° (when 1000 → 2000 μ sec) |
| 6-4 | Neutral position | 1500 μ sec |
| 6-5 | Dead band width | 7 μ sec |
| 6-6 | Rotating direction | Clockwise (when 1500 → 2000 μ sec) |
| 6-7 | Pulse width range | 800 → 2200 μ sec |
| 6-8 | Maximum travel | Approx 165° (when 800 → 2200 μ sec) |



Product Name
SERVO

Model No.
HD-1160A

Version
V1

Page
1/1

X-ON Electronics

Largest Supplier of Electrical and Electronic Components

Click to view similar products for [AC, DC & Servo Motors](#) category:

Click to view products by [Pololu](#) manufacturer:

Other Similar products are found below :

[805470B40040MY](#) [R88M-G10030H-S2](#) [R88MK15K015CS2](#) [R88MK1K520HS2](#) [R88MK3K030FBS2](#) [R88MK1K530HBS2](#)
[R88MK75030TS2](#) [1032](#) [M4E068-CF01-01](#) [80510503](#) [805470A403.6MY](#) [805470B40020MY](#) [80627003](#) [82800003](#) [82830009](#)
[R88MK2K030FS2](#) [KDE4014XF-380 \(D5\)](#) [R88A-RG08UA](#) [82810017](#) [82861019](#) [89850008](#) [R88M-K75030H](#) [R88M-G10030L-OS2](#) [R88M-](#)
[GP20030L-OS2](#) [R88M-K90010F-S2](#) [R88M-GP40030L-OS2](#) [R88M-K1K030H-S2](#) [R88M-GP20030H-BO](#) [R88M-G10030L-BO](#) [R88M-](#)
[GP20030S-OS2](#) [R88M-K20030H-B](#) [R88M-G40030H-BS2](#) [R88M-GP20030H-O](#) [R88M-G40030T-S2](#) [R88M-K10030L](#) [82840003](#) [82840004](#)
[R88M-GP20030L](#) [R88M-GP20030H-BS2](#) [R88M-GP10030S](#) [R88M-GP20030L-S2](#) [R88M-G40030H](#) [R88M-GP20030L-O](#) [R88M-GP20030L-](#)
[BS2](#) [R88M-GP20030T-OS2](#) [82869011](#) [89850007](#) [R88M-K1K020F](#) [82524021](#) [R88M-K1K520F](#)