

228:1 Plastic Gearmotor Offset Output



Pololu plastic gearmotor offset output with opened gearbox.

This 228:1 plastic gearmotor (gearbox with brushed DC motor) is a great low-cost alternative to modified hoy servos or Tamiya gearboxes. The low-current motor is a perfect match for our qik 2s9v1 dual serial motor controller, Baby Orangutan robot controller, or DRV8833 dual motor driver carrier, and the compact size makes this unit an attractive choice for small robot designs. The recommended operating voltage range for this motor is 3 – 12 V.

This is a higher-torque, lower-speed version of the 120:1 plastic gearmotor offset output. At 6 V, the gearbox and motor provide approximately 100 oz-in of torque and 45 RPM. The free-running current is 70 mA, and the stall current is 800 mA. The gearbox is protected by a built-in safety clutch that will typically slip before gear teeth can shear.

This gearmotor comes pre-assembled, with the gears fully enclosed, and the output shaft is 6 mm long and 7 mm in diameter with two sides flattened. The output shaft is along the same axis as the motor shaft, but offset; we also sell a similar gearmotor with a 90° output shaft.

There are two built-in mounting holes that work with our stamped aluminum L-bracket and extended stamped aluminum L-bracket, as shown in the pictures below:

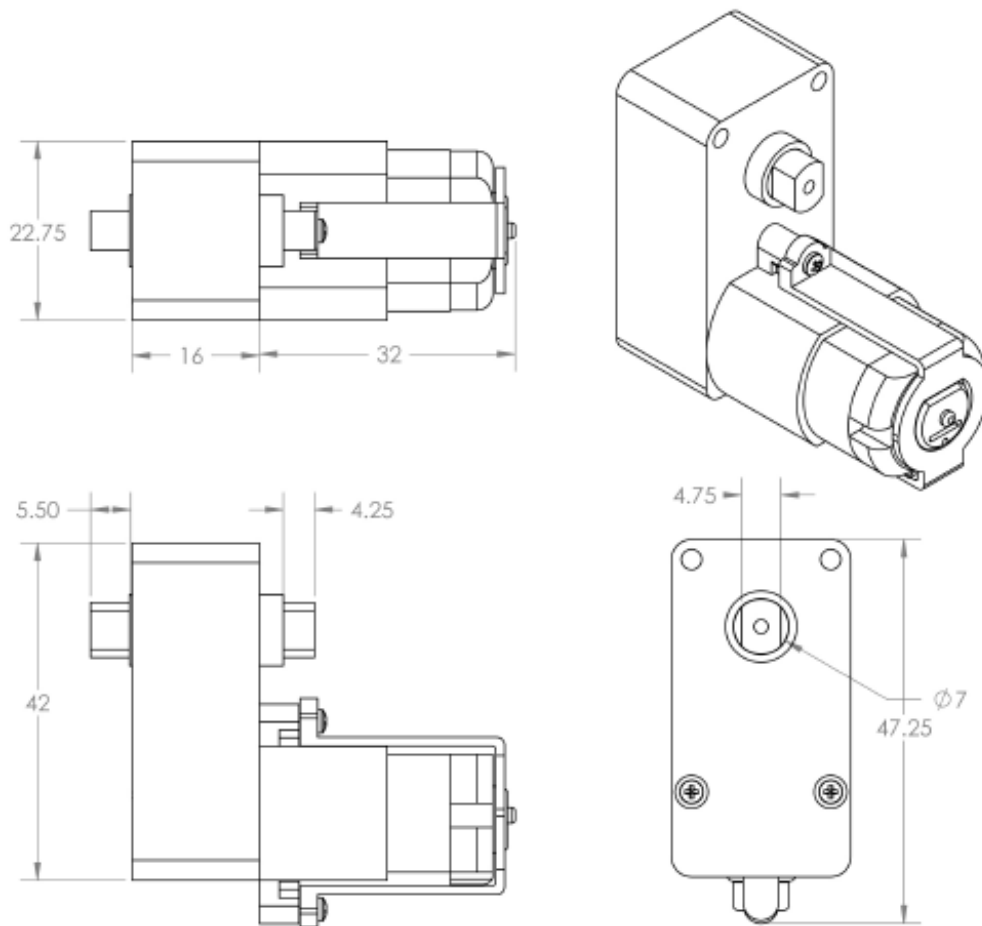


Plastic gearmotor with offset output (item #1118 or #1119) mounted with Pololu stamped aluminum L-bracket.



Plastic gearmotor with offset output (item #1118 or #1119) mounted with Pololu extended stamped aluminum L-bracket.

This gearmotor is compatible with the Solarbotics GMPW plastic wheel, which is available in a variety of colors.



Dimensions (in mm) of the 120:1 and 228:1 plastic gearmotors with offset outputs.

You can download a pdf version of this drawing here (104k PDF).

[Documentation on producer website.](#)

X-ON Electronics

Largest Supplier of Electrical and Electronic Components

Click to view similar products for [DC Motors](#) category:

Click to view products by [Pololu](#) manufacturer:

Other Similar products are found below :

[78:1 20DX43L MM 12V CB DUAL](#) [9.7:1 METAL GEARMOTOR 25DX63L MM HP 6V W](#) [19:1 METAL GEARMOTOR 37DX68L 64 CPR](#)
[100:1 METAL GEARMOTOR 37DX73L 64 CPR](#) [15:1 MICRO METAL GEARMOTOR HPCB 6V EXT](#) [15:1 MICRO METAL](#)
[GEARMOTOR HPCB 12V EXT](#) [9.7:1 METAL GEARMOTOR 25DX63L MM LP 12V](#) [100:1 METAL GEARMOTOR 37DX57L MM](#) [100:1](#)
[METAL GEARMOTOR 37DX73L 24V 64 CPR](#) [30:1 MICRO METAL GEARMOTOR HPCB](#) [30:1 MICRO METAL GEARMOTOR MP](#)
[CONCENTRIC LACT4-12V-20 LINEAR ACTUATOR](#) [10:1 METAL GEARMOTOR 37DX50LMM 12V](#) [10:1 METAL GEARMOTOR](#)
[37DX65L 24V 64 CPR](#) [10:1 METAL GEARMOTOR 37DX65LMM 12V 64CPR](#) [34:1 25DX52L MM HP 12V](#) [34:1 25DX52L MM LP 12V](#)
[34:1 25DX52L MM MP 12V](#) [378:1 25DX58L MM LP 12V](#) [4.4:1 METAL GEARMOTOR 25DX48L MM HP](#) [4.4:1 METAL GEARMOTOR](#)
[25DX48L MM HP 6V](#) [47:1 25DX52L MM LP 12V](#) [50:1 HPCB 12V DUAL-SHAFT](#) [50:1 HPCB 6V](#) [5:1 HPCB 12V](#) [5:1 MICRO METAL](#)
[GEARMOTOR HPCB](#) [5:1 MICRO METAL GEARMOTOR HPCB DUAL](#) [HP 6V MOTOR WITH 48 CPR ENCODER](#) [75:1 25DX54L MM](#)
[HP 12V](#) [75:1 25DX54L MM MP 12V](#) [131:1 METAL GEARMOTOR 37DX57L MM](#) [131:1 METAL GEARMOTOR 37DX73L 24V 64 CPR](#)
[75:1 HPCB 6V DUAL-SHAFT](#) [75:1 METAL GEARMOTOR 25DX54L MM LP 6V](#) [75:1 MICRO METAL GEARMOTOR DUAL](#) [75:1](#)
[MICRO METAL GEARMOTOR HPCB](#) [34:1 METAL GEARMOTOR 25DX52L MM HP 6V](#) [LACT10-12V-20 LINEAR ACTUATOR](#)
[LACT10P-12V-20 LINEAR ACTUATOR](#) [LACT12-12V-20 LINEAR ACTUATOR](#) [LACT12P-12V-20 LINEAR ACTUATOR](#) [LACT2P-12V-](#)
[20 LINEAR ACTUATOR](#) [LACT6-12V-20 LINEAR ACTUATOR](#) [DFR0332](#) [DFR0411](#) [DFR0430](#) [50:1 HPCB 12V](#) [50:1 HPCB 6V DUAL-](#)
[SHAFT](#) [50:1 MICRO METAL GEARMOTOR MP](#) [50:1 MICRO METAL GEARMOTOR MP 6V DUAL](#)