

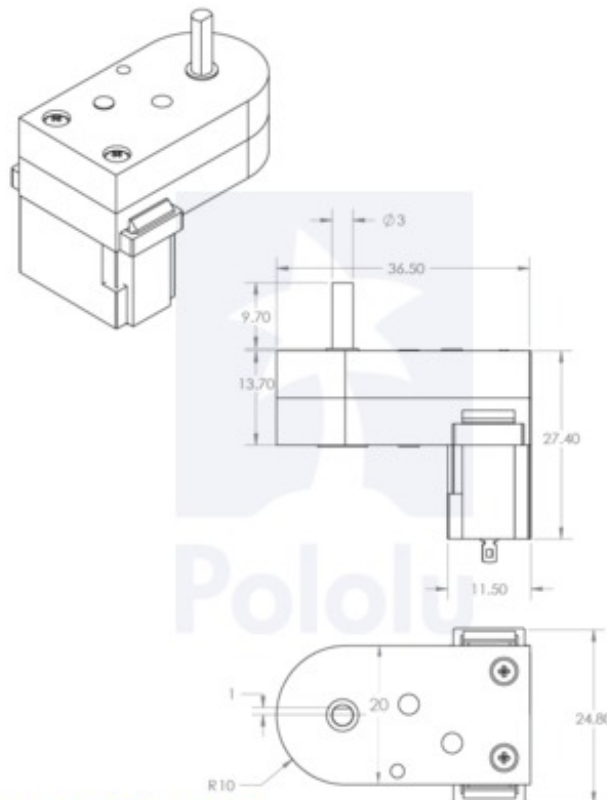
Pololu 120:1 Mini Plastic Gearmotor Offset 3mm D-Shaft Output



Overview

This brushed DC gearmotor is very compact and weighs only 0.7 ounces (19.5 grams) — perfect for building a quick, miniature robot. The recommended operating voltage range for this motor is 3 to 6 V, though the gearmotor can start rotating at voltages as low as 0.6 V. At 4.5 V, the motor has a free-run current of 80 mA and a stall current of 800 mA; this relatively low current draw makes this a great match for our qik 2s9v1 dual serial motor controller and programmable Orangutan robot controllers. The stall current, torque, and rotation speed will approximately scale linearly with the motor voltage. The gearbox is protected by a built-in safety clutch that will typically slip before gear teeth can shear.

Dimensions



Dimensions (in mm) of the 120:1 and 180:1 mini plastic gearmotors with offset 3mm D-shaft outputs.

You can download a pdf version of this drawing here (44k pdf).

This gearmotor features a 3 mm D-shaped output shaft that matches those on our micro metal gearmotors and works with the Pololu wheels and 3mm universal aluminum mounting hub:



www.pololu.com

Mini plastic gearmotor offset 3mm D-shaft output
with Pololu wheel.

The gearbox output shaft is offset from but parallel to the motor shaft.

Gearmotor Versions

This gearmotor is available with two different output shaft orientations—offset from but parallel to the motor shaft or perpendicular to the motor shaft—and in two gear ratios—120:1 (for higher speed) or 180:1 (for higher torque). The 120:1 gear ratio versions are also available with a 2mm-diameter spline output shaft that can be used with custom wheels or our adapter for LEGO wheels. In all, we offer six different versions of this gearmotor:

- **120:1 Mini Plastic Gearmotor Offset 2mm Spline Output**
- **120:1 Mini Plastic Gearmotor 90-Degree 2mm Spline Output**
- **120:1 Mini Plastic Gearmotor 90-Degree 3mm D-Shaft Output**
- **120:1 Mini Plastic Gearmotor Offset 3mm D-Shaft Output**
- **180:1 Mini Plastic Gearmotor 90-Degree 3mm D-Shaft Output**
- **180:1 Mini Plastic Gearmotor Offset 3mm D-Shaft Output**



The 120:1 gear ratio versions have white plastic bodies and the 180:1 gear ratio versions have yellow plastic bodies (see the main product picture).

[Documentation on producer website.](#)

X-ON Electronics

Largest Supplier of Electrical and Electronic Components

Click to view similar products for [DC Motors](#) category:

Click to view products by [Pololu](#) manufacturer:

Other Similar products are found below :

[78:1 20DX43L MM 12V CB DUAL](#) [9.7:1 METAL GEARMOTOR 25DX63L MM HP 6V W](#) [19:1 METAL GEARMOTOR 37DX68L 64 CPR](#)
[100:1 METAL GEARMOTOR 37DX73L 64 CPR](#) [15:1 MICRO METAL GEARMOTOR HPCB 6V EXT](#) [15:1 MICRO METAL](#)
[GEARMOTOR HPCB 12V EXT](#) [9.7:1 METAL GEARMOTOR 25DX63L MM LP 12V](#) [100:1 METAL GEARMOTOR 37DX73L 24V 64 CPR](#)
[30:1 MICRO METAL GEARMOTOR HPCB](#) [30:1 MICRO METAL GEARMOTOR MP](#) [CONCENTRIC LACT4-12V-20 LINEAR](#)
[ACTUATOR](#) [10:1 METAL GEARMOTOR 37DX50LMM 12V](#) [10:1 METAL GEARMOTOR 37DX65L 24V 64 CPR](#) [10:1 METAL](#)
[GEARMOTOR 37DX65LMM 12V 64CPR](#) [34:1 25DX52L MM HP 12V](#) [34:1 25DX52L MM LP 12V](#) [34:1 25DX52L MM MP 12V](#) [378:1](#)
[25DX58L MM LP 12V](#) [4.4:1 METAL GEARMOTOR 25DX48L MM HP](#) [4.4:1 METAL GEARMOTOR 25DX48L MM HP 6V](#) [47:1](#)
[25DX52L MM LP 12V](#) [50:1 HPCB 12V DUAL-SHAFT](#) [50:1 HPCB 6V](#) [5:1 HPCB 12V](#) [5:1 MICRO METAL GEARMOTOR HPCB](#) [5:1](#)
[MICRO METAL GEARMOTOR HPCB DUAL](#) [HP 6V MOTOR WITH 48 CPR ENCODER](#) [75:1 25DX54L MM HP 12V](#) [75:1 25DX54L MM](#)
[MP 12V](#) [131:1 METAL GEARMOTOR 37DX57L MM](#) [131:1 METAL GEARMOTOR 37DX73L 24V 64 CPR](#) [75:1 HPCB 6V DUAL-](#)
[SHAFT](#) [75:1 METAL GEARMOTOR 25DX54L MM LP 6V](#) [75:1 MICRO METAL GEARMOTOR DUAL](#) [75:1 MICRO METAL](#)
[GEARMOTOR HPCB](#) [34:1 METAL GEARMOTOR 25DX52L MM HP 6V](#) [LACT10-12V-20 LINEAR ACTUATOR](#) [LACT10P-12V-20](#)
[LINEAR ACTUATOR](#) [LACT12-12V-20 LINEAR ACTUATOR](#) [LACT12P-12V-20 LINEAR ACTUATOR](#) [LACT2P-12V-20 LINEAR](#)
[ACTUATOR](#) [LACT6-12V-20 LINEAR ACTUATOR](#) [DFR0332](#) [DFR0411](#) [DFR0430](#) [50:1 HPCB 12V](#) [50:1 HPCB 6V DUAL-SHAFT](#) [50:1](#)
[MICRO METAL GEARMOTOR MP](#) [50:1 MICRO METAL GEARMOTOR MP 6V DUAL](#) [150:1 METAL GEARMOTOR 37DX57L MM](#)
[\(HELICA\)](#)