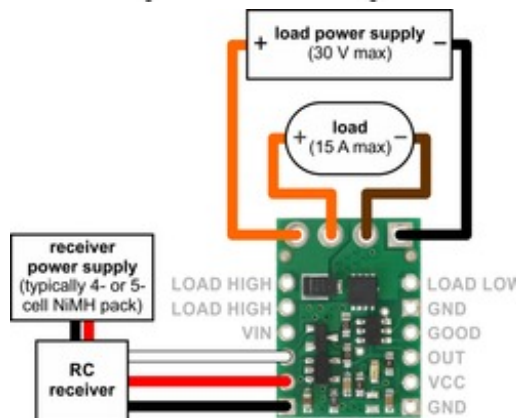
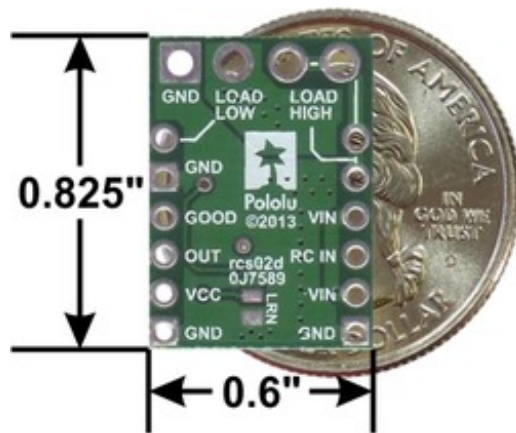


Overview



Typical wiring diagram for the Pololu RC Switch with Medium Low-Side MOSFET.

The Pololu RC switch with medium low-side MOSFET can be used with standard hobby radio control systems for radio control switch applications or simple interface applications. Example uses include converting extra RC receiver or servo controller outputs to simple high/low signals that can control LEDs or relays and connecting RC systems to microcontroller projects that do not have the necessary resources for decoding the RC interface. Two outputs indicate the presence of a valid signal and whether the switch is on or off, and an integrated low-side MOSFET turns on when the switch is on, allowing the board to drive moderate loads directly. The switch also features a flyback (or freewheeling) diode across the load outputs so that you can connect a coil to them, such as a motor or relay, without any additional external components.

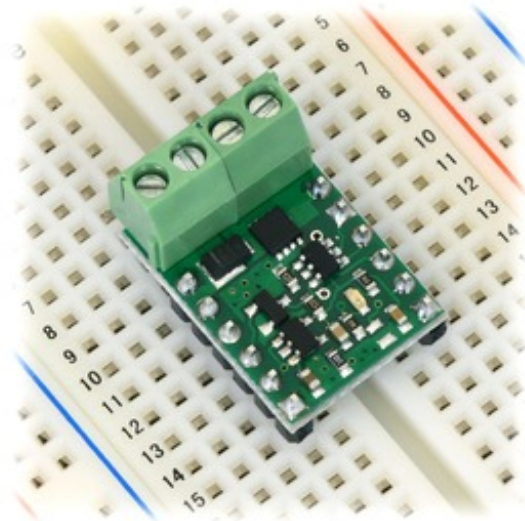
An onboard regulator allows the switch to be powered from voltages between 2.5 V and 16 V. This allows the board to be powered from a 4- or 5-cell NiMH or NiCD battery pack. The battery pack will typically be connected to an RC receiver or servo controller, which passes the power on to the RC switch. The board's MOSFET can deliver up to 15 A with VCC at 5 V and can handle load supply voltages up to 30 V.

The RC switch measures the width of incoming RC pulses and compares it to a user-configurable threshold (with $\pm 64 \mu\text{s}$ of hysteresis) to decide whether to turn on the MOSFET. By default, the threshold is approximately 1700 μs , with switch activation occurring above the threshold (longer pulses), but the switch has a learning mode that allows you to change the threshold and the activation direction. A safe-start feature reduces the likelihood of unexpected activation.

This compact unit measures 0.6" \times 0.825" and weighs just over a gram (0.04 oz) without the included header pins.



Pololu RC Switch with Medium Low-Side MOSFET with included terminal blocks and headers soldered to the component side.



Pololu RC Switch with Medium Low-Side MOSFET on a breadboard.

Outputs and indicator LED

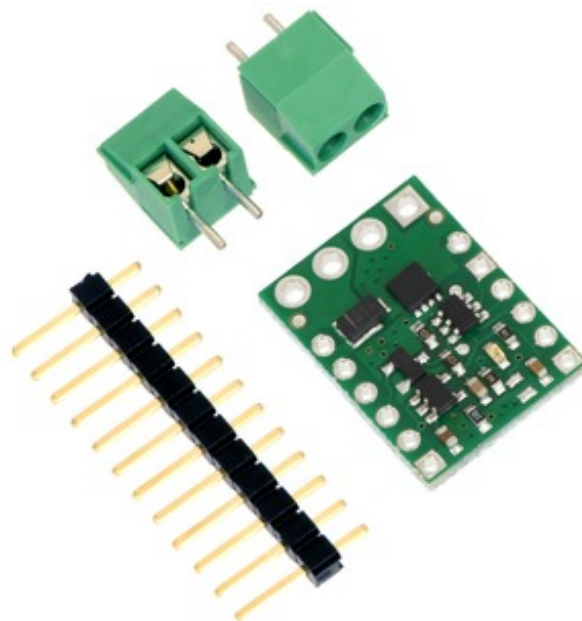
The RC switch provides feedback about what state it is in via a yellow indicator LED. Status information is also provided on two output pins:

- The **GOOD** pin indicates the presence of a valid RC signal (10–330 Hz pulse rate, 0.5–2.5 ms pulse width).
- The **OUT** pin indicates whether the MOSFET is on.

More information about using the Pololu RC switch with medium low-side MOSFET can be found in the user's guide.

Included hardware

A 12-pin 0.1" straight breakaway male header and two 3.5mm 2-pin terminal blocks are included with the Pololu RC switch with medium low-side MOSFET. The header pins can be used to connect the RC switch to perfboards or breadboards. Please note that the included terminal blocks are only rated for 10 A; for higher power applications, use thick wires soldered directly to the board.



Pololu RC Switch with Medium Low-Side MOSFET with included hardware.

Other RC switches

We offer an RC switch with a digital output for applications that just require a low-current digital signal and an RC switch with a small MOSFET for applications that only need to switch a few amps. We also offer an RC switch with a relay that can be used to control electrically isolated loads.

This product replaces item #1211. (For most applications, it can be considered a drop-in replacement for #1211.)



The Pololu RC Switch family of products.

[Documentation on producer website.](#)

X-ON Electronics

Largest Supplier of Electrical and Electronic Components

Click to view similar products for [Other Modules](#) category:

Click to view products by [Pololu](#) manufacturer:

Other Similar products are found below :

[AXXRPFKSSD](#) [B7A-R3A33-M](#) [B7A-R6B31](#) [B7A-T6C6](#) [RMS25CB080](#) [AXXRPFKSSD2](#) [B7A-R6A52](#) [B7A-T6D2](#) [7B47-K-03-2](#) [B7A-R6A38](#) [2288300-R](#) [B7A-R6A33](#) [B7A-R6C31](#) [B7A-R10SC01](#) [B7A-T10S1](#) [LPC1e-8124-C](#) [96RC-SAS-8P-PE-AD](#) [96RC-SAS-4P-PE-AD2](#) [96RC-SAS-4P-PE-AD1](#) [VROCISSDMOD](#) [RS3WC080](#) [05-25420-17](#) [B7A-R3A38-M](#) [H5-25460-00](#) [05-26106-00](#) [05-25704-00](#) [05-25703-00](#) [AXXRMFBU4](#) [TEL0107](#) [OKY3525-1](#) [OKY3917](#) [2281200-R](#) [2277500-R](#) [H5-25573-00](#) [L5-00219-00](#) [M88-32](#) [BCM957412A4120AC](#) [OKY3497-2](#) [6-PIN FEMALE JST SH-STYLE CABLE 12CM](#) [6-PIN FEMALE JST SH-STYLE CABLE 75CM](#) [PCM-23U1DG-CE](#) [50040R-02](#) [50010R-10](#) [50020R-10](#) [50051R](#) [RMS25KB080](#) [MAAM-009811-000](#) [MASL-011023](#) [WIXEL](#) [DFR0031-B](#)