

1. Apply Environmental Condition :

No.	Item	Specification
1-1	Storage Temperature Range	-20°C ~ 60°C
1-2	Operating Temperature Range	-10°C ~ 50°C
1-3	Operating Voltage Range	4.0V ~ 6.0V

2. Standard Test Environment :

2-1	Standard Test Environment	Every characteristic of the inspect must be normal temperature and humidity carry out the test , temperature 25±5°C and relative humidity 65±10% of judgment made in accordance with this specification standard testing conditions.
-----	---------------------------	--

3. Appearance Inspection :

No.	Item	Specification
3-1	Outline Drawing	Dimension see the last page
3-2	Appearance	No damage which affects functions allowed

4. Electrical Specification (Function of the Performance) :

No.	Item	4.8V	6.0V
4-1	Operating speed (at no load)	0.16 sec/60°	0.13 sec/60°
4-2	Running current (at no load)	180 mA	240 mA
4-3	Stall torque (at locked)	3.1 kg-cm	3.9 kg-cm
4-4	Stall current (at locked)	1200 mA	1400 mA
4-5	Idle current (at stopped)	5 mA	5 mA

Note: Item 4-2 definition is average value when the servo running with no load

5. Mechanical Specification :

No.	Item	Specification
5-1	Overall Dimensions	See the drawing
5-2	Limit angle	220°±10°
5-3	Weight	15.8 ± 0.2 grams (without servo horn)
5-4	Connector wire gauge	# 26 AWG
5-5	Connector wire length	250 ±5 mm
5-6	Horn gear spline	21T/ $\phi$ 4.97
5-7	Horn type	Cross , Big cross , Disk , Flat
5-8	Reduction ratio	1/383



Product Name

**DIGITAL SERVO**

Model No.

**HD-1810MG**

Version

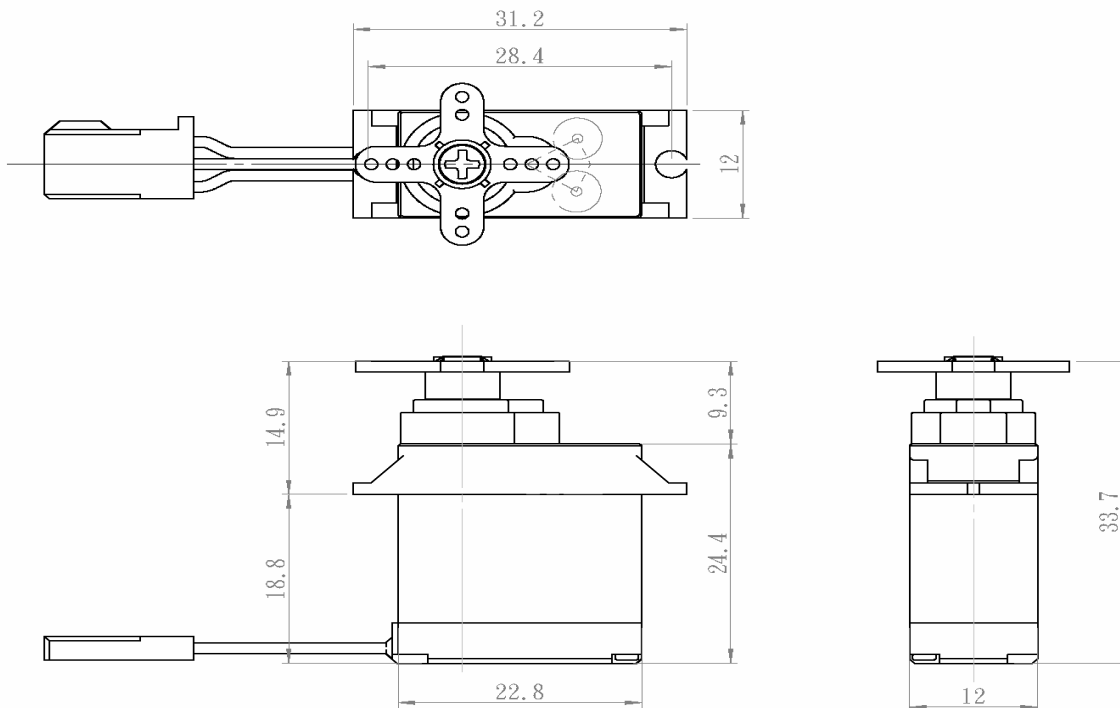
**V1**

Page

**2/3**

6. Control Specification :

No.	Item	Specification
6-1	Control system	Pulse width modification
6-2	Amplifier type	Digital controller
6-3	Operating travel	45° (when 1500→2000 μ sec)
6-4	Neutral position	1500 μ sec
6-5	Dead band width	5 μ sec
6-6	Rotating direction	Clockwise (when 1500→2000 μ sec)
6-7	Pulse width range	750→2250 μ sec
6-8	Maximum travel	Approx 145°(when 750→2250 μ sec)



UNIT : MILLIMETERS



Product Name  
**DIGITAL SERVO**

Model No.  
**HD-1810MG**

Version  
**V1**

Page  
**3/3**

## X-ON Electronics

Largest Supplier of Electrical and Electronic Components

*Click to view similar products for [AC, DC & Servo Motors](#) category:*

*Click to view products by [Pololu](#) manufacturer:*

Other Similar products are found below :

[805470B40040MY](#) [R88M-G10030H-S2](#) [R88MK15K015CS2](#) [R88MK1K520HS2](#) [R88MK3K030FBS2](#) [R88MK1K530HBS2](#)  
[R88MK75030TS2](#) [1032](#) [M4E068-CF01-01](#) [80510503](#) [805470A403.6MY](#) [805470B40020MY](#) [80627003](#) [82800003](#) [82830009](#)  
[R88MK2K030FS2](#) [KDE4014XF-380 \(D5\)](#) [R88A-RG08UA](#) [82810017](#) [82861019](#) [89850008](#) [R88M-K75030H](#) [R88M-G10030L-OS2](#) [R88M-](#)  
[GP20030L-OS2](#) [R88M-K90010F-S2](#) [R88M-GP40030L-OS2](#) [R88M-K1K030H-S2](#) [R88M-GP20030H-BO](#) [R88M-G10030L-BO](#) [R88M-](#)  
[GP20030S-OS2](#) [R88M-K20030H-B](#) [R88M-G40030H-BS2](#) [R88M-GP20030H-O](#) [R88M-G40030T-S2](#) [R88M-K10030L](#) [82840003](#) [82840004](#)  
[R88M-GP20030L](#) [R88M-GP20030H-BS2](#) [R88M-GP10030S](#) [R88M-GP20030L-S2](#) [R88M-G40030H](#) [R88M-GP20030L-O](#) [R88M-GP20030L-](#)  
[BS2](#) [R88M-GP20030T-OS2](#) [82869011](#) [89850007](#) [R88M-K1K020F](#) [82524021](#) [R88M-K1K520F](#)