

PP100 (1 botón)
 PP101



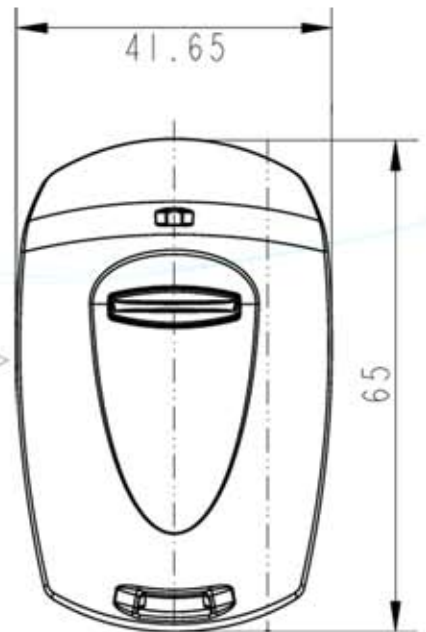
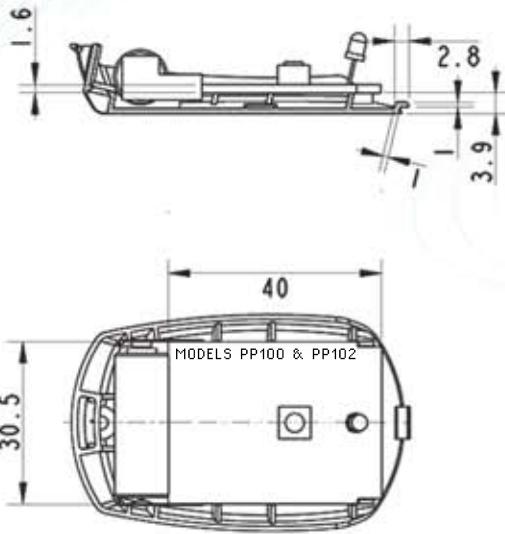
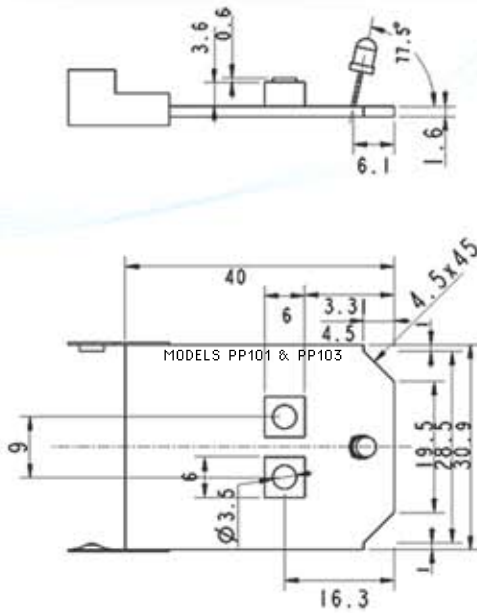
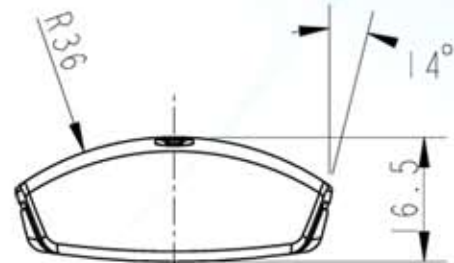
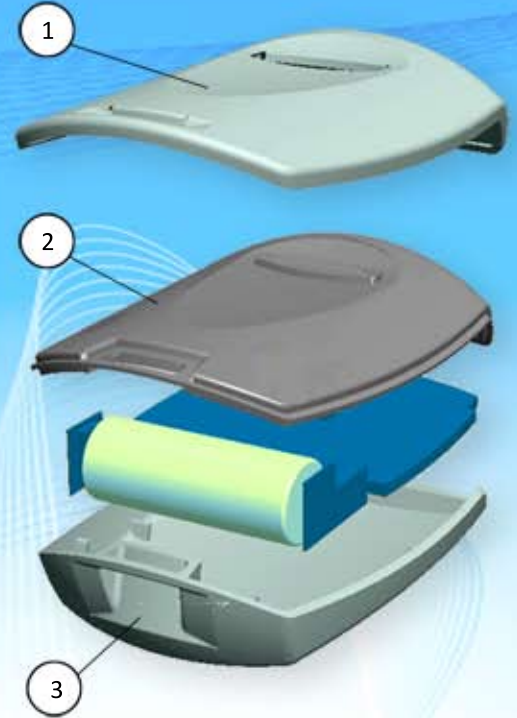
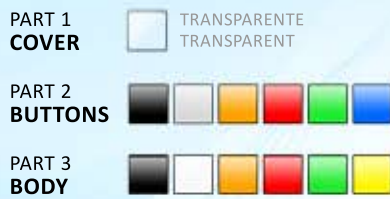
PP102 (1 button)
 PP103



COMPONGA SU CAJA
 PARTES DISPONIBLES Y COLORES:



COMPOSE YOUR BOX
 AVAILABLE PARTS AND COLOURS:



Circuito orientativo para pila de 12V (terminales incluidos)
Suggested circuit for 12V battery (clips included)

MECANIZADOS
MECHANIZED
 (mm)
 RoHS

X-ON Electronics

Authorized Distributor

Click to view similar products for [Enclosures, Boxes & Cases](#) category:

[63233000](#) [82503135](#) [82700135](#) [FR12042200ME](#) [FR943250ME](#) [G139IP67](#) [96036335](#)
[GN8511320T3](#) [RL05220BME](#) [AKG3316100ME](#)