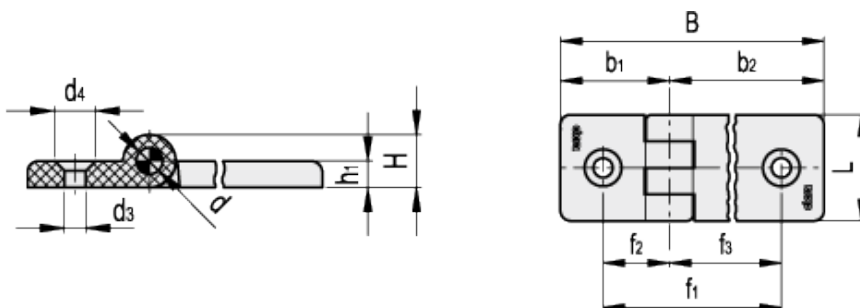


# CFG.

Hinges for profiles



FM Design



## technical informations

### Material

Glass-fibre reinforced polyamide based (PA) technopolymer. Resistant to solvents, oils, greases and other chemical agents.

### Colour

Black or grey RAL 7040 (C33), matte finish.

### Rotation pin

Nickel-plated steel.

### Standard execution

Pass-through holes for M6 countersunk head screws.

### Technopolymer centering inserts (supplied)

For profiles with slot dimensions from 6 to 12 mm.

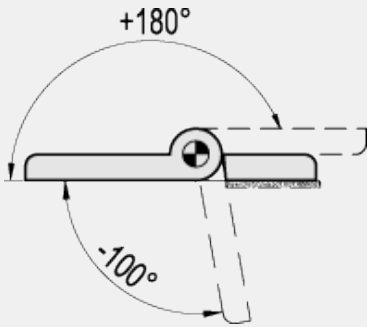


**Features and applications**

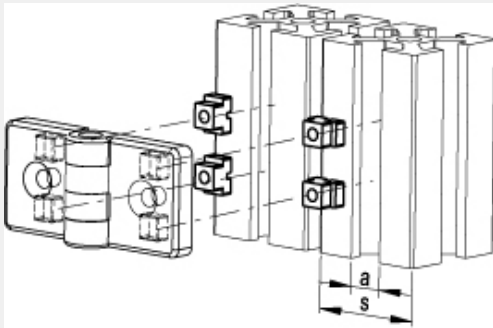
This type of hinge can be used with profiles from 30 up to 60 mm, also combining different dimensions.

**Rotation angle (approximate value)**

Max 280° (-100° and +180° being 0° the condition where the two interconnected surfaces are on the same plane). Do not exceed the rotation angle limit so as not to prejudice the hinge mechanical performance.

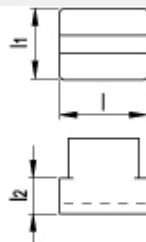


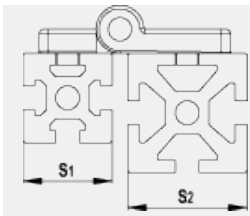
To choose the convenient type and the right number of hinges for your application, see the [Guidelines](#).



Profile dimension		Insert orientation	Insert colour
s	a		
30	6		Light grey
	8		
40+45	8		Dark grey
	10		
50+60	10		Black
	12		

Centering inserts			
Dimensions			Colour
l	l <sub>1</sub>	l <sub>2</sub>	
8	6	2	Light grey
10	8	4	Dark grey
12	10	5	Black



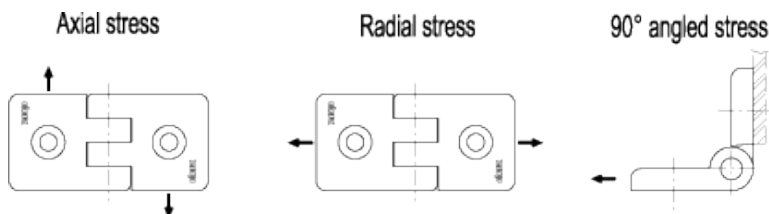


Standard Elements		Main dimensions											Fitting		Weight	
Code	Description	S <sub>1</sub>	S <sub>2</sub>	L	B	f <sub>1</sub> <sup>±0.25</sup>	f <sub>2</sub>	f <sub>3</sub>	H	h <sub>1</sub>	b <sub>1</sub>	b <sub>2</sub>	d	d <sub>3</sub>	d <sub>4</sub>	g
423911	CFG.30/30 SH-6	30	30	36	54	35	17.5	17.5	16	8	27	27	8	6.5	12.5	32
423912	CFG.30/40 SH-6	30	40	36	64	40	17.5	22.5	16	8	27	37	8	6.5	12.5	34
423913	CFG.30/45 SH-6	30	45	36	69	42.5	17.5	25	16	8	27	42	8	6.5	12.5	35
423914	CFG.30/60 SH-6	30	60	36	84	50	17.5	32.5	16	8	27	57	8	6.5	12.5	38
423921	CFG.40/40 SH-6	40	40	36	74	45	22.5	22.5	16	8	37	37	8	6.5	12.5	36
423922	CFG.40/45 SH-6	40	45	36	79	47.5	22.5	25	16	8	37	42	8	6.5	12.5	37
423923	CFG.40/60 SH-6	40	60	36	94	55	22.5	32.5	16	8	37	57	8	6.5	12.5	40
423931	CFG.45/45 SH-6	45	45	36	84	50	25	25	16	8	42	42	8	6.5	12.5	38
423932	CFG.45/60 SH-6	45	60	36	99	57.5	25	32.5	16	8	42	57	8	6.5	12.5	41
423941	CFG.60/60 SH-6	60	60	36	114	65	32.5	32.5	16	8	57	57	8	6.5	12.5	45

# Suggested tightening torque for assembly screws.

Standard Elements		Main dimensions											Fitting		Weight
Code	Description	L	B	f <sub>1</sub> ±0.25	f <sub>2</sub>	f <sub>3</sub>	H	h <sub>1</sub>	b <sub>1</sub>	b <sub>2</sub>	d	d <sub>3</sub>	d <sub>4</sub>	C [N] #	g
423911-C33	CFG.30/30 SH-6-C33	36	54	35	17.5	17.5	16	8	27	27	8	6.5	12.5	5	32
423912-C33	CFG.30/40 SH-6-C33	36	64	40	17.5	22.5	16	8	27	37	8	6.5	12.5	5	34
423913-C33	CFG.30/45 SH-6-C33	36	69	42.5	17.5	25	16	8	27	42	8	6.5	12.5	5	35
423914-C33	CFG.30/60 SH-6-C33	36	64	50	17.5	32.5	16	8	27	57	8	6.5	12.5	5	38
423921-C33	CFG.40/40 SH-6-C33	36	74	45	22.5	22.5	16	8	37	37	8	6.5	12.5	5	36
423922-C33	CFG.40/45 SH-6-C33	36	79	47.5	22.5	22.5	16	8	37	42	8	6.5	12.5	5	37
423923-C33	CFG.40/60 SH-6-C33	36	94	55	22.5	32.5	16	8	37	57	8	6.5	12.5	5	40
423931-C33	CFG.45/45 SH-6-C33	36	94	50	25	25	16	8	42	42	8	6.5	12.5	5	38
423932-C33	CFG.45/60 SH-6-C33	36	99	57.5	25	32.5	16	8	42	57	8	6.5	12.5	5	41
423941-C33	CFG.60/60 SH-6-C33	36	114	65	32.5	32.5	16	8	57	57	8	6.5	12.5	5	45

# Suggested tightening torque for assembly screws.



Standard Elements		AXIAL STRESS		RADIAL STRESS		90° ANGLED STRESS		Maximum tightening torque [Nm]
Code	Description	Maximum working load Ea [N]	Load at breakage Ra [N]	Maximum working load Er [N]	Load at breakage Rr [N]	Maximum working load E90 [N]	Load at breakage R90 [N]	
423911	CFG.30/30 SH-6	440	2570	1850	3710	300	1700	5
423912	CFG.30/40 SH-6	320	2280	1750	3490	590	870	5
423913	CFG.30/45 SH-6	240	2150	1760	3520	190	780	5
423914	CFG.30/60 SH-6	280	1510	1600	3190	180	850	5
423921	CFG.40/40 SH-6	320	2280	1750	3490	220	870	5

423922	CFG.40/45 SH-6	240	2150	1750	3490	390	780	5
423923	CFG.40/60 SH-6	280	1510	1600	3190	180	850	5
423931	CFG.45/45 SH-6	240	2150	1760	3520	190	780	5
423932	CFG.45/60 SH-6	240	1510	1600	3190	180	780	5
423941	CFG.60/60 SH-6	280	1510	1600	3190	180	850	5

---



ELESA and GANTER models all rights reserved in accordance with the law. Always mention the source when reproducing our drawings.

**STANDARD MACHINE ELEMENTS WORLDWIDE**

## X-ON Electronics

Largest Supplier of Electrical and Electronic Components

*Click to view similar products for [Mounting Fixings](#) category:*

*Click to view products by [Elesa & Ganter](#) manufacturer:*

Other Similar products are found below :

[007310](#) [007541](#) [6-141-P](#) [620HA038NF09](#) [620HA038NF11](#) [71-074914-006](#) [71-146610-6H](#) [712HA170B23128-N](#) [71-441549-19S](#) [71-490451-4H](#) [75-69211-3P](#) [75-69220-27S](#) [75-69224-5S](#) [770-006A109](#) [770-006A109R](#) [770-006A207](#) [770-006A208W1](#) [770-006A209](#) [770-006A306](#) [770-006A703W1](#) [770-006A704](#) [770-006A704W1](#) [770-006A705](#) [770-006A706](#) [770-006A706W1](#) [770-006A707](#) [770-006A709](#) [770-007A203](#) [770-007A203W1](#) [770-007A204W1](#) [770-007A207W1](#) [770-007A703](#) [770-007A704W1](#) [770-007A706](#) [770-007A707W1](#) [770-010Y208](#) [770-010Y308](#) [770-010Y705](#) [770-010Y706](#) [770-010Y707W1](#) [770-011T201](#) [770-011T203](#) [770-011T701W1](#) [770-011T702](#) [770-011T702W1](#) [770-011T703](#) [770-013210W1](#) [770-013311](#) [770-013312](#) [770-013709](#)