

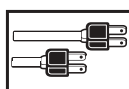
HPT



HTG



models with telephone call current relay  
HPT-R, HTG-R



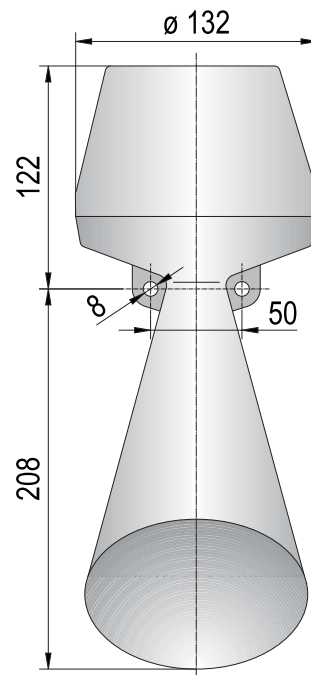
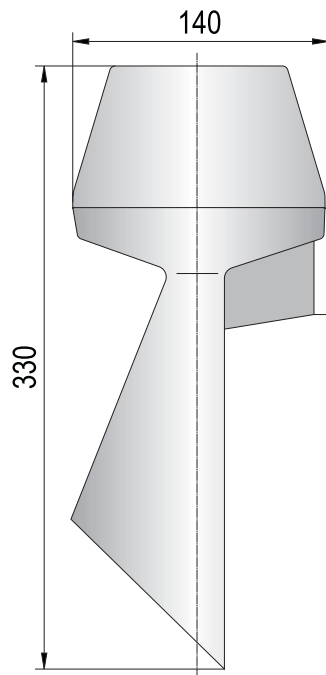
## Technical data

### Features

- ▶ loud, well designed and robust electro-mechanical signal horns
- ▶ housing options:  
impact resistant synthetic housing (HPT)  
aluminium die-cast housing (HTG)
- ▶ screw holes steel fortified (HPT)
- ▶ special models with telephone call current relay (HPT-R, HTG-R)
- ▶ large offering of standard and special voltages
- ▶ HTG-L: special model with RILSAN-coating against galvanic corrosion (version for vessels, seawater resistant etc.); models for tropical use upon request

Type	HPT	HTG
Housing, Colour	ABS, grey	aluminium-die cast epoxy-powder coated RAL 7000/7015
Terminal	up to 2,5 mm <sup>2</sup>	
Cable entry	7 - 10 mm	4,5 - 12 mm
Cable conduit	surface or buried	
Mounting	sound outlet downwards	
Duty cycle factor	100 %	
Protection class	IP 55	IP 65
Radio noise suppression	acc. to CENELEC EN 55014	
Temperature range	-20 °C to +50 °C	
Sound pressure	~ 108 dB	
Weight	800 g	1600 g





## Order data

Nominal voltage (V)	Hz	Order No.		
		HPT	HTG	Nom. current (A)
6 V AC	50	712 100 103	713 100 103	4,50
12 V AC		712 100 104	713 100 104	2,00
24 V AC		712 100 105	713 100 105	1,20
42 V AC		712 100 107	713 100 107	0,60
48 V AC		712 100 108	713 100 108	0,50
60 V AC		712 100 109	713 100 109	0,40
110 V AC		712 100 110	713 100 110	0,20
230 V AC		712 100 113	713 100 113	0,10
120 V AC	60	712 100 211	713 100 211	0,20
240 V AC		712 100 213	713 100 214	0,11
12 V DC		712 100 004	713 100 004	1,00
24 V DC		712 100 005	713 100 005	0,60
48 V DC		712 100 008	713 100 008	0,50
60 V DC		712 100 009	713 100 009	0,25
110 V DC		712 100 010	713 100 010	0,20
220 V DC		712 100 013	713 100 013	0,1
<b>Models with telephone call current relay</b>				
Nominal voltage (V)	Hz	HPT-R	HTG-R	Nom. current (A)
230 V AC	50	712 102 113	713 102 113	0,10
240 V AC	60	712 102 213		0,11
220 V DC			713 102 013	0,08

**Models with RILSAN-coating:**  
 membrane galvanized and epoxy powder coated, screws A4 with isolation and rubber washers for mounting avoiding galvanic corrosion, additional membrane sealing

Nominal voltage (V)	Hz	Order No.	
		HTG-L	Nom. current (A)
110 V AC	50	713 150 110	0,20
120 V AC		713 150 111	0,20
230 V AC		713 150 113	0,10
120 V AC	60	713 150 211	0,20
240 V AC		713 150 214	0,11
24 V DC		713 150 005	0,60

## X-ON Electronics

Largest Supplier of Electrical and Electronic Components

*Click to view similar products for [Audio Indicators & Alerts](#) category:*

*Click to view products by [J Auer](#) manufacturer:*

Other Similar products are found below :

[M2BJ-BH24E](#) [6-4](#) [68S1240-PA](#) [MBA-624](#) [F/BC 40P-DR LF](#) [FDG111PLF](#) [F/NRMB 24 BLACK LF](#) [PF-35N29WQ](#) [PFD-27A35PQ](#) [PL-27A35PSQ](#) [PS-531Q](#) [AB2020B-2-LW1](#) [EBPT-401](#) [PB06SD12AP](#) [PB-1220PEQ](#) [S6109](#) [SC2036ACP](#) [SC616N-2](#) [SC628FW](#) [SC628MPG](#) [SC648D](#) [SCS045MD9DT3S](#) [AB2025B-LW50-R](#) [ESZ-25B-5-250B](#) [F/BC 35-DR LF](#) [FCM12PLF](#) [F/EB20P-DR LF](#) [F/HU110MP24V-IP67B](#) [LF](#) [AI-2835-TF-LW150-2-R](#) [AI-4228-TF-LW305-R](#) [FSMD8585JSLF](#) [FSS-26T](#) [F/SU 21-02 LF](#) [F/TCW 05 WITH LABEL LF](#) [F/UCW 03 WITH LABEL LF](#) [F/UCW 06 WITH LABEL LF](#) [PKM22EPPH40S1-B0](#) [PKM35-4A0](#) [PL-35N29WQ](#) [PLD-27A35PQ](#) [PS-552Q](#) [CM-5](#) [M2BJ-BH24E-D](#) [REF-202](#) [LSC628ANR](#) [5-100](#) [PAL-328](#) [03-810.001](#) [RTO-1R07-001](#) [PL-21N31PQ](#) [PF-27A25PSQ](#)