



ELESA Original design

# CFU.

## Hinges with adjustable friction

Technopolymer



---

### Main specifications

#### Material

Acetal based (POM) technopolymer. Flammability class UL94-HB.

#### Pin

Polycarbonate based (PC) technopolymer, black colour (white for CLEAN execution). Flammability class UL94-V2.

#### Adjusting boss and screw

AISI 304 stainless steel screw.

AISI 303 stainless steel adjusting boss.

#### Standard executions

Assembly by means of pass-through holes for cylindrical head screws.

- **CFU**: black colour, matte finish.
- **CFU-CLEAN**: white colour similar to RAL 9002, matte finish.

---

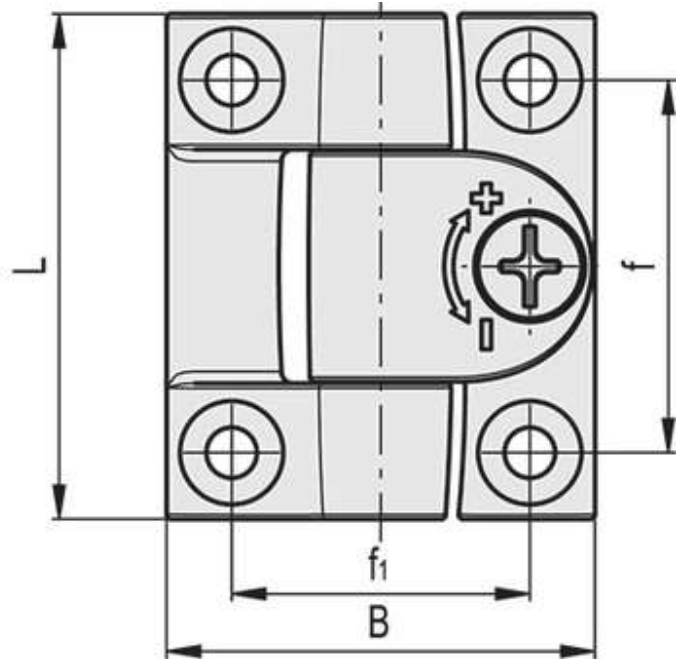
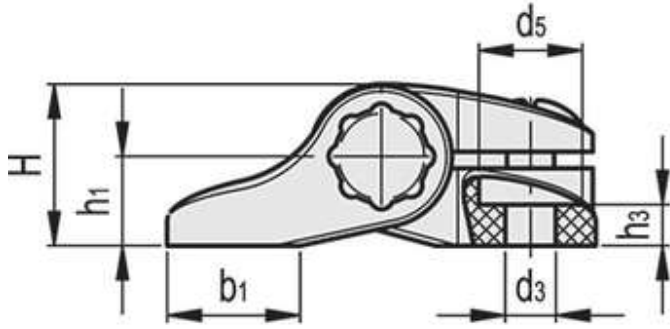
### General information

#### Features and applications

The main feature of CFU. hinge is the possibility to adjust the resistant torque of the door on which it is assembled, facilitating the door clamping in the various positions of opening, partial opening and closing.

To adjust the friction force, simply turn the screw on the hinge body, clockwise to increase the friction and anti-clockwise to reduce it.

---



### CFU.

| Code          | Description       | L    | B    | $f_{\pm 0.25}$ | $f_1 \pm 0.25$ | H  | $h_1$ | $h_3$ | $b_1$ | $d_3$ | $d_5$ | C#<br>[Nm] | Weight |
|---------------|-------------------|------|------|----------------|----------------|----|-------|-------|-------|-------|-------|------------|--------|
| <b>427512</b> | CFU.40 CH-4       | 43   | 36.5 | 31.7           | 25.5           | 14 | 7.5   | 3.5   | 11.5  | 4.5   | 9     | 1          | 26     |
| <b>427522</b> | CFU.60 CH-6       | 63.5 | 56.5 | 47.5           | 38             | 21 | 11.5  | 6.5   | 17.5  | 6.5   | 12.5  | 3          | 49     |
| <b>427513</b> | CFU.40 CH-4 CLEAN | 43   | 36.5 | 31.7           | 25.5           | 14 | 7.5   | 3.5   | 11.5  | 4.5   | 9     | 1          | 15     |
| <b>427523</b> | CFU.60 CH-6 CLEAN | 63.5 | 56.5 | 47.5           | 38             | 21 | 11.5  | 6.5   | 17.5  | 6.5   | 12.5  | 3          | 26     |

# Suggested tightening torque for assembly screws.

## X-ON Electronics

Largest Supplier of Electrical and Electronic Components

*Click to view similar products for [Mounting Fixings](#) category:*

*Click to view products by [Elesa & Ganter](#) manufacturer:*

Other Similar products are found below :

[5912235-2](#) [007310](#) [007541](#) [6-141-P](#) [620HA038NF09](#) [620HA038NF11](#) [CTJ420E028-513](#) [M81714/60-12-01](#) [M81714/60-22-01](#) [L/C](#)  
[MA1EAF1200](#) [70-584649-01P](#) [71-074914-006](#) [71-215091-8S](#) [712HA170B23128-N](#) [71-344699-4S](#) [71-441549-19S](#) [71-441864-5S](#) [71-](#)  
[490451-4H](#) [EX-13-3-B-16-325PN](#) [75-69116-8S](#) [75-69211-3P](#) [75-69220-27S](#) [75-69224-5S](#) [75-69614-2S](#) [770-006A109](#) [770-006A109R](#) [770-](#)  
[006A207](#) [770-006A208W1](#) [770-006A209](#) [770-006A306](#) [770-006A703W1](#) [770-006A704](#) [770-006A704W1](#) [770-006A705](#) [770-006A706](#)  
[770-006A706W1](#) [770-006A707](#) [770-006A709](#) [770-007A203](#) [770-007A203W1](#) [770-007A204W1](#) [770-007A207W1](#) [770-007A703](#) [770-](#)  
[007A704W1](#) [770-007A706](#) [770-007A707W1](#) [770-010Y208](#) [770-010Y308](#) [770-010Y705](#) [770-010Y706](#)