

Fast Recovery Epitaxial Diode (FRED)

PSEI 2x161

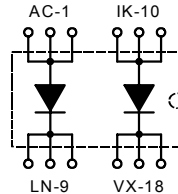
$$I_{FAVM} = 2 \times 128 \text{ A}$$

$$V_{RRM} = 1200 \text{ V}$$

$$t_{rr} = 40 \text{ ns}$$

Preliminary Data Sheet

V_{RSM} (V)	V_{RRM} (V)	Type
1200	1200	PSEI 2x161/12



Symbol	Test Conditions	Maximum Ratings	
I_{FRMS}	$T_{VJ} = T_{VJM}$	270	A
I_{FAVM}^*	$T_C = 70^\circ\text{C}$, rectangular, $d=0.5$	128	A
I_{FSM}	$T_{VJ} = 45^\circ\text{C}$ $t = 10 \text{ ms}$ (50 Hz), sine	1200	A
	$V_R = 0$ $t = 8.3 \text{ ms}$ (60 Hz), sine	1320	A
	$T_{VJ} = 125^\circ\text{C}$ $t = 10 \text{ ms}$ (50 Hz), sine	1080	A
	$V_R = 0$ $t = 8.3 \text{ ms}$ (60 Hz), sine	1170	A
$\int i^2 dt$	$T_{VJ} = 45^\circ\text{C}$ $t = 10 \text{ ms}$ (50 Hz), sine	7200	A ² s
	$V_R = 0$ $t = 8.3 \text{ ms}$ (60 Hz), sine	7100	A ² s
	$T_{VJ} = 125^\circ\text{C}$ $t = 10 \text{ ms}$ (50 Hz), sine	5800	A ² s
	$V_R = 0$ $t = 8.3 \text{ ms}$ (60 Hz), sine	5700	A ² s
T_{VJ}		-40... + 150	°C
T_{VJM}		150	°C
T_{stg}		-40... + 125	°C
V_{ISOL}	50/60 Hz, RMS $t = 1 \text{ min}$	2500	V~
	$I_{ISOL} \leq 1 \text{ mA}$ $t = 1 \text{ s}$	3600	V~
M_d	Mounting torque (M4)	1.5 - 2.0	Nm
		14 - 18	lb.in.
Weight	typ.	24	g

Symbol	Test Conditions	Characteristic Value	
I_R	$T_{VJ} = 25^\circ\text{C}$, $V_R = V_{RRM}$	max.	12 mA
	$T_{VJ} = 25^\circ\text{C}$, $V_R = 0.8 \cdot V_{RRM}$	max.	3 mA
	$T_{VJ} = 125^\circ\text{C}$, $V_R = 0.8 \cdot V_{RRM}$	max.	60 mA
V_F	$I_F = 200 \text{ A}$, $T_{VJ} = 25^\circ\text{C}$	max.	1.90 V
V_{TO}	For power-loss calculations only		1.16 V
r_T			3 mΩ
R_{thJC}	per diode; max.	0.29	K/W
R_{thCH}	per diode; typ.	0.2	K/W
I_{RM}	$I_F = 100 \text{ A}$; $-di_F/dt = 200 \text{ A}/\mu\text{s}$; $V_R = 100 \text{ V}$ $L \leq 0.05 \text{ mH}$; $T_{VJ} = 100^\circ\text{C}$	typ.	48 A
t_{rr}	$I_F = 1 \text{ A}$; $-di_F/dt = 400 \text{ A}/\mu\text{s}$; $V_R = 30 \text{ V}$; $T_{VJ} = 25^\circ\text{C}$	typ.	40 ns
d_s	Creeping distance on surface	11.2	mm
d_A	Creeping distance in air	11.2	mm
a	Max. allowable acceleration	50	m/s ²

Features

- 2 independent FRED in 1 package
- Isolation voltage 3600 V~
- Planar glass passivated chips
- Low forward voltage drop
- Leads suitable for PC board soldering
- Very short recovery time
- Soft recovery behaviour
- UL registered, E 148688

Applications

- Antiparallel diode for high frequency switching devices
- Anti saturation diode
- Snubber diode
- Free wheeling diode in converters and motor control circuits
- Rectifiers in switch mode power supplies (SMPS)
- Inductive heating and melting
- Uninterruptible power supplies (UPS)
- Ultrasonic cleaners and welders

Advantages

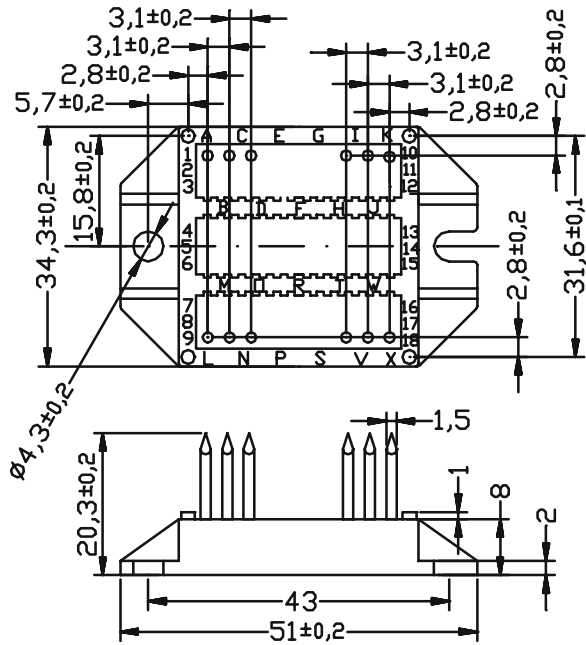
- Easy to mount with two screws
- Space and weight savings
- Improved temperature and power cycling capability
- Low noise switching
- Small and light weight

Data according to IEC 60747 refer to a single diode unless otherwise stated

* I_{FAVM} rating includes blocking losses at T_{VJM} ;
 $V_R = 0.8 V_{RRM}$; duty cycle $d = 0.5$

Package style and outline

Dimensions in mm (1mm = 0.0394")



X-ON Electronics

Largest Supplier of Electrical and Electronic Components

Click to view similar products for [Schottky Diodes & Rectifiers](#) category:

Click to view products by [Powersem](#) manufacturer:

Other Similar products are found below :

[CUS06\(TE85L,Q,M\)](#) [MA4E2039](#) [D1FH3-5063](#) [MBR0530L-TP](#) [MBR10100CT-BP](#) [MBR30H100MFST1G](#) [MMBD301M3T5G](#) [PMAD1103-LF](#) [PMAD1108-LF](#) [RB160M-50TR](#) [RB520S-30](#) [RB551V-30](#) [DD350N18K](#) [DZ435N40K](#) [DZ600N16K](#) [BAS16E6433HTMA1](#) [BAS 3010S-02LRH E6327](#) [BAT 54-02LRH E6327](#) [IDL02G65C5XUMA1](#) [NSR05F40QNXT5G](#) [NSVR05F40NXT5G](#) [JANS1N6640](#) [SB07-03C-TB-H](#) [SB1003M3-TL-W](#) [SBAT54CWT1G](#) [SBM30-03-TR-E](#) [SBS818-TL-E](#) [SK32A-LTP](#) [SK33A-TP](#) [SK34A-TP](#) [SK34B-TP](#) [SMD1200PL-TP](#) [ACDBN160-HF](#) [SS3003CH-TL-E](#) [STPS30S45CW](#) [PDS3100Q-7](#) [GA01SHT18](#) [CRS10I30A\(TE85L,QM\)](#) [MBR1240MFST1G](#) [MBRB30H30CT-1G](#) [BAS28E6433HTMA1](#) [BAS 70-02L E6327](#) [HSB123JTR-E](#) [JANTX1N5712-1](#) [VS-STPS40L45CW-N3](#) [DD350N12K](#) [SB007-03C-TB-E](#) [SB10015M-TL-E](#) [SB1003M3-TL-E](#) [SK110-LTP](#)