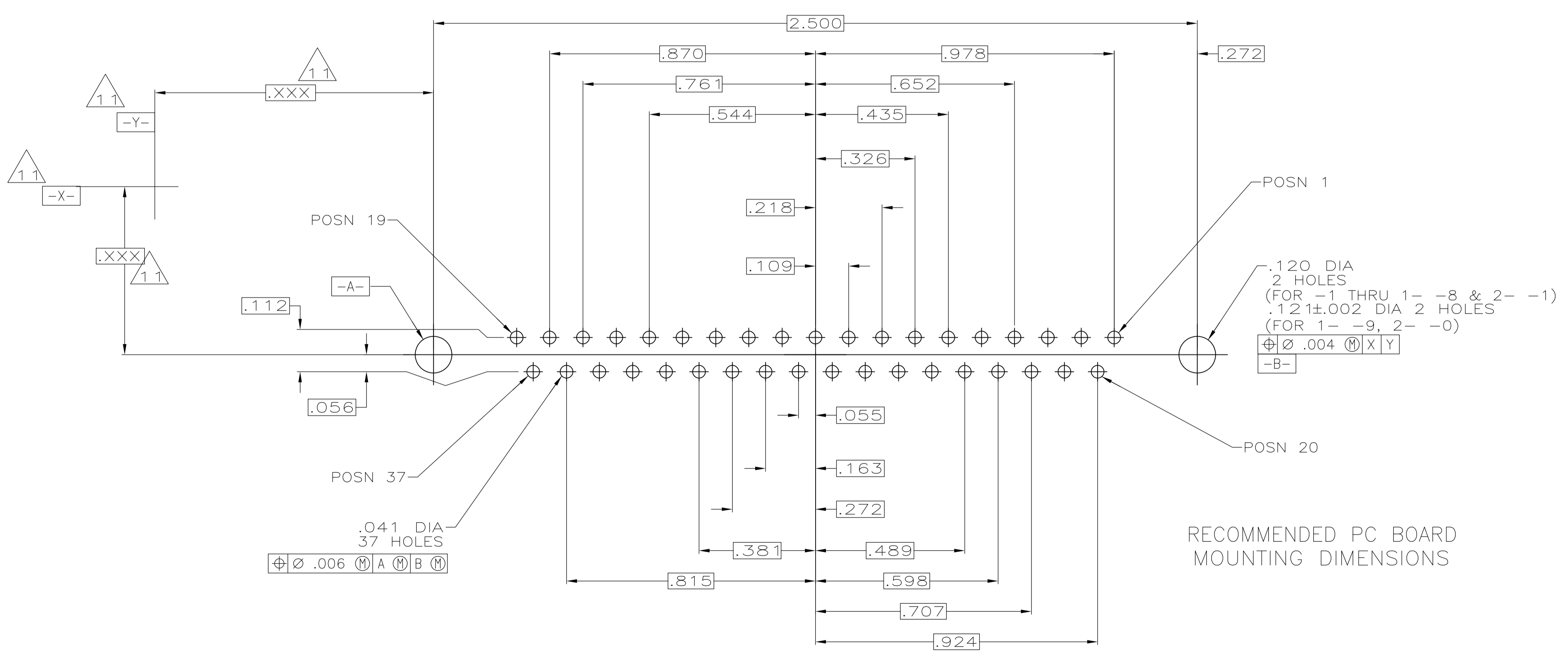
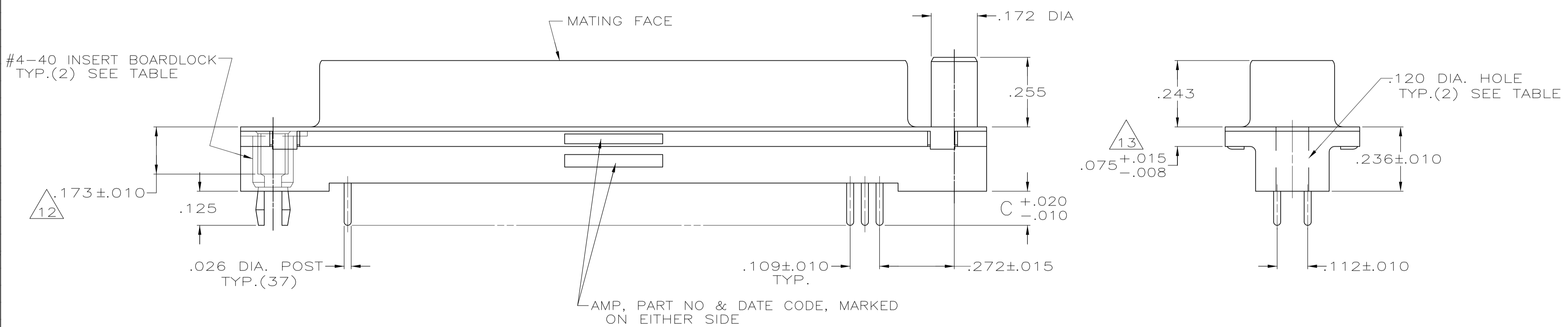
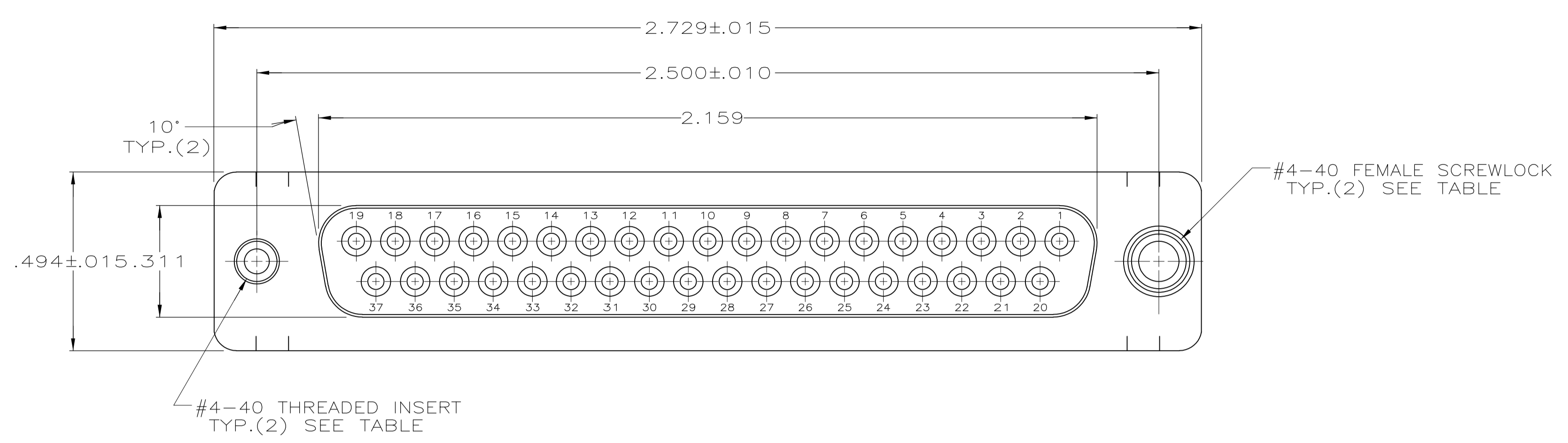


REVISIONS				
P	LTR	DESCRIPTION	DATE	APP'D
N		REVISED PER ECO-16-001548	08MAR2016	AP DG



- △ HOUSING: FLAME RETARDANT 94V-0 RATED THERMOPLASTIC; COLOR: BLACK.
- △ SHELL: CARBON STEEL.
- △ CONTACTS: PHOS. BRONZE.
- △ INSERTS & BOARDLOCKS: BRASS
- SCREWLOCKS: ZINC.
- 5. NOTE DELETED.
- △ SHELL: .000200 MIN TIN OVER .000100 MIN COPPER.
- △ INSERTS: UNPLATED, SCREWLOCKS: UNPLATED, BOARDLOCKS: TIN OVER COPPER.
- △ CONTACTS: GOLD FLASH FOR LENGTH OF .100 MIN FROM MATING END, .000100-.000200 BRIGHT TIN OR BRIGHT TIN LEAD ON TERMINATION END, ALL OVER .000050 NICKEL ON ENTIRE CONTACT.
- △ CONTACTS: .000030 GOLD FOR LENGTH OF .100 MIN FROM MATING END, .000100-.000200 BRIGHT TIN OR BRIGHT TIN LEAD ON TERMINATION END, ALL OVER .000050 NICKEL ON ENTIRE CONTACT.
- 10. NOTE DELETED.
- △ DATUMS AND BASIC DIMENSIONS ESTABLISHED BY CUSTOMER.
- △ RECOMMENDED SCREWLOCK IS 5747877-3 WITH RETENTION INSERTS.
- △ .110 MAX IN SHELL TAB CLINCH AREAS.

REVISIONS	DESCRIPTION	DATE	APP'D
1	WITH FEMALE SCREWLOCKS	.170	2-747709-1
2	WITH INSERT BOARDLOCKS	.125	2-747709-0
3	OBSOLETE	.125	1-747709-9
4	OBSOLETE	.250	1-747709-8
5	OBSOLETE	.250	1-747709-7
6	WITH FEMALE SCREWLOCKS	.170	1-747709-6
7	OBSOLETE	.170	1-747709-5
8	OBSOLETE	.125	1-747709-4
9	OBSOLETE	.125	1-747709-3
10	OBSOLETE	.250	1-747709-2
11	OBSOLETE	.250	1-747709-1
12	WITH THREADED INSERTS	.170	747709-9
13	OBSOLETE	.125	747709-8
14	OBSOLETE	.125	747709-7
15	OBSOLETE	.250	747709-6
16	OBSOLETE	.250	747709-5
17	OBSOLETE	.170	747709-4
18	OBSOLETE	.170	747709-3
19	OBSOLETE	.125	747709-2
20	OBSOLETE	.125	747709-1

THIS DRAWING IS A CONTROLLED DOCUMENT.

DIMENSIONS: INCHES	TOLERANCES UNLESS OTHERWISE SPECIFIED:	DIN S. WELDON 2-27-85	APVD J. GERACE 2-27-85
0 PLC ± -	1 PLC ± -	2 PLC ± -	3 PLC ± .005
4 PLC ± -	ANGLES ± -	NAME: R. BAER/R. BRANDT	

MATERIAL: 11-2-3-4 6-7-8-9 FINISH: 1-2-3-4 6-7-8-9

RECEIPTABLE ASSEMBLY, SIZE 4, 37 POS., VERTICAL, .026 DIA. DUPLEX PLATED POSTS, FRONT SHELL, AMPLIMITE

SIZE: A1 114-40023 WEIGHT: 100779 C=747709

CUSTOMER DRAWING SCALE: NTS SHEET: 1 OF 1 REV: N

X-ON Electronics

Largest Supplier of Electrical and Electronic Components

Click to view similar products for [D-Sub Standard Connectors](#) category:

Click to view products by [TE Connectivity](#) manufacturer:

Other Similar products are found below :

[DCM37S732N](#) [DAM15P500](#) [DEV09S364GTLF](#) [DEM09P032N](#) [DDM50P732N](#) [DAM15S332N](#) [173109-2218](#) [173109-2466](#) [173109-2436](#)
[173109-2435](#) [56F706-005-LI](#) [56F711-015](#) [015-0341-000](#) [015-0372-008](#) [015-8544-011](#) [017041-0005](#) [020419-0104](#) [012-0515-000](#) [012-9507-](#)
[034](#) [012-9507-114](#) [012-9534-001](#) [020745-0008](#) [609-25P](#) [M24308/2-23Z](#) [M243082310F](#) [M243082410F](#) [M243082411F](#) [M24308/4-21](#)
[CT1A18-11PSA206](#) [CT1N36-5SC](#) [CT2-16S-17PS](#) [CT2-20-15PCAU](#) [CT2-24-12PS](#) [CT2-24-28PSF127A206](#) [CT2-32-9PC](#) [CT6F9767-14-4-](#)
[14S-5PC](#) [CT6FA10SL-4PS](#) [CT7-18-10SC](#) [CT7-18-10SCAU](#) [CT7-18-12SCAU](#) [CT7-18-1PC](#) [CT7-18-1PCAU](#) [CT7-18-21SCAU](#) [M83513/01-](#)
[FC](#) [M83723/76W24619 L/C](#) [M85049/48-3-2F](#) [69001-865](#) [6STD09PCM99B70X](#) [6STD09SCM99B30X](#) [6STD09SCT99S40X](#)