

4

3

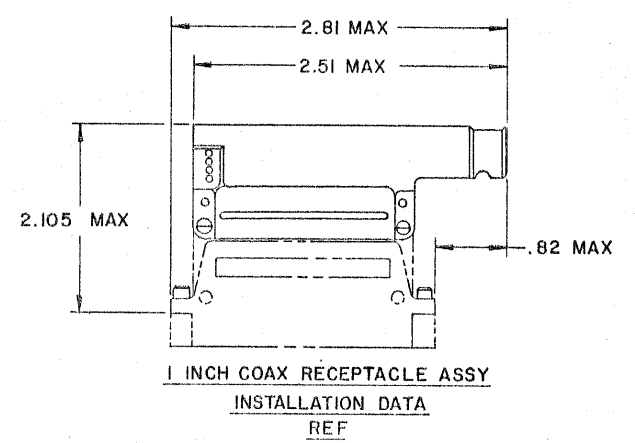
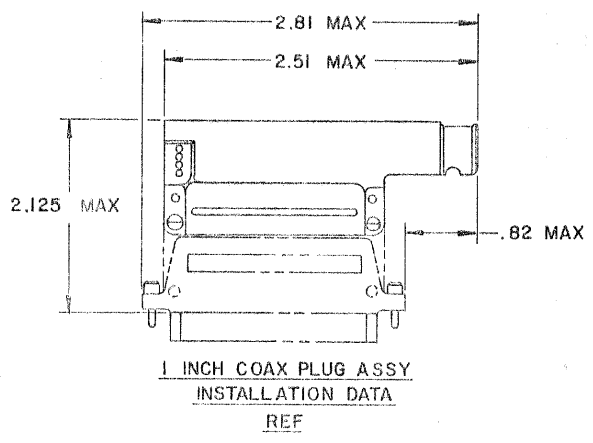
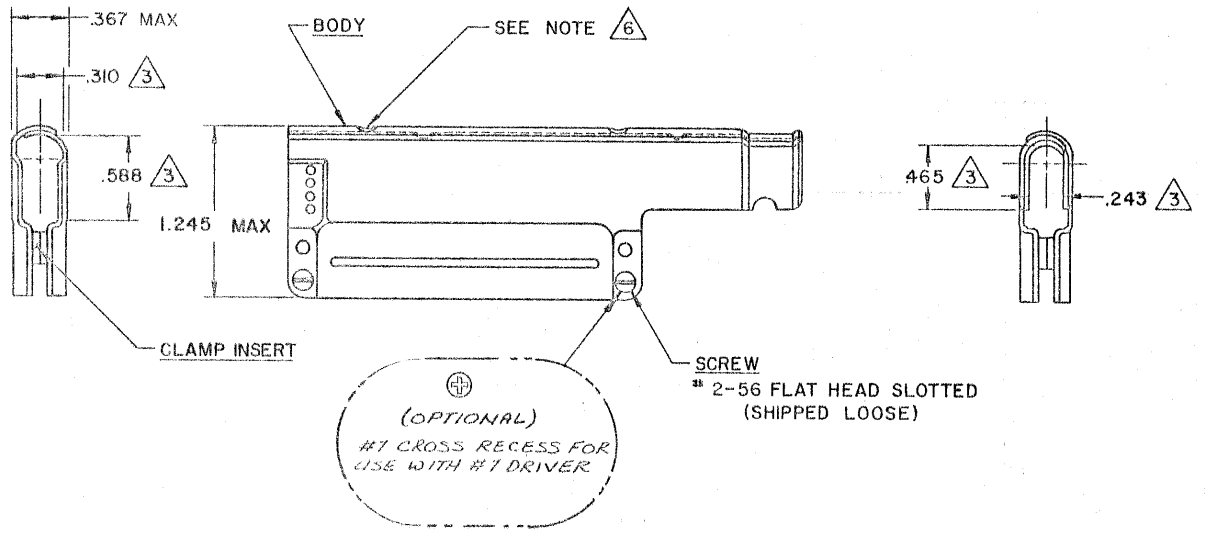
2

1

NOTES:

1. MATERIAL:
- A. BODY; PHOSPHOR BRONZE PER QQ-B-750.
  - B. SCREW; STAINLESS STEEL PER QQ-S-763, 700 SERIES.
  - C. CLAMP INSERT; FLUOROSILICONE ELASTOMER PER MIL-R-25988.
2. FINISH:
- A. BODY; TIN PLATED PER MIL-T-10727 OVER NICKEL PER MIL-C-26074.
  - B. SCREW; PASSIVATED PER QQ-P-35.
- △ THESE DIMENSIONS ARE FOR MAXIMUM CABLE ACCOMMODATION.
  - 4. *Raychem* PART NUMBER CHA-0016. IS MARKED ON BACKSHELL PACKAGE.
  - 5. THIS BACKSHELL IS FOR USE WITH *Raychem* MTC COAX CONNECTORS. 1" COAX PLUG OR 1" COAX RECEPTACLE AS SHOWN.
  - △ .125 DIA. MAX. (CONSTRUCTION HOLES) TWO (2) HOLES ON EACH HALF OF PART APPROX. AS SHOWN.

REVISIONS				
ZONE	LTR	DESCRIPTION	DATE	APPROVED
	A	REVISED PER ECN F-012650	11/14/84	J3



**CONNECTOR SPECIFICATION CONTROL DRAWING**

UNLESS OTHERWISE SPECIFIED DIMENSIONS ARE IN INCHES BRACKETED DIMENSIONS ( ) ARE METRIC AND TOLERANCES ARE:  .XXX: ± ( ) .XX: ± ( ) Δ: ± ( )	DRAWN	W.JACKSON	9-30-80	 <small>RAYCHEM CORPORATION 300 CONSTITUTION DRIVE MELBO PARK, CALIFORNIA 90250</small>
	CHECKED	J3		
	APPROVED	Plain	7-30-80	
	APPROVED			
				<b>TITLE</b> RIGHT ANGLE BREAKOUT BACKSHELL ASSY 1 INCH MTC COAX
				SIZE <b>C</b> CODE IDENT NO. 08080    DWG. NO. <b>CHA-0016</b>
				WEIGHT ——— SHEET 1 OF 1

DO NOT SCALE THIS DRAWING

## X-ON Electronics

Largest Supplier of Electrical and Electronic Components

*Click to view similar products for [Headers & Wire Housings](#) category:*

*Click to view products by [TE Connectivity](#) manufacturer:*

Other Similar products are found below :

[95000-104TRLF](#) [10135584-644402LF](#) [DF62W-EP2022PCA](#) [95000-106TRLF](#) [DF62W-2022SCA](#) [DF62W-EP2022PC](#) [2203348](#) [DF62W-2022SC](#) [1084018](#) [1029039](#) [1084017](#) [802-10-012-10-002000](#) [1112640](#) [1112639](#) [891-007-9SS-BST1T](#) [000-34000](#) [0008550134](#) [0009482033](#) [0009507031](#) [57102-F02-18ULF](#) [57102-S06-03LF](#) [57202-S52-04LF](#) [PCN6-15S-2.5E](#) [0039019024](#) [58102-G61-06LF](#) [582553-1](#) [0009485154](#) [0009508121](#) [0022285053](#) [0050291907](#) [018731A](#) [LY20-4P-DT1-P1E-BR](#) [02.125.8002.8](#) [60101931](#) [60598-1 \(Cut Strip\)](#) [M1625-3R/100](#) [61062-3](#) [61082-181009](#) [CSU011177004](#) [636-1427](#) [638009-1](#) [641938-9](#) [641991-4](#) [644168-1](#) [644827-2](#) [647662-1](#) [65039-019ELF](#) [65692-001LF](#) [65781-018](#) [65781-047](#)