

MVP12, 4xM12, 5pole, M23 19pol. con. connector exit frontside

4-way, 5-pole
M23 plug connection
19-pole used

Image



Approvals

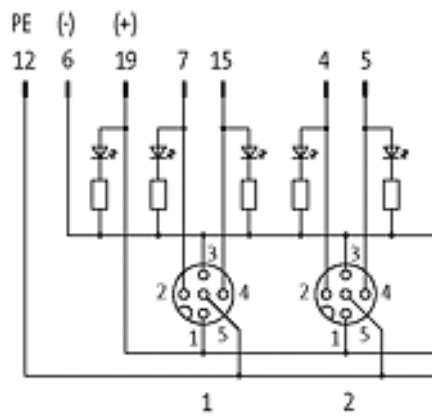
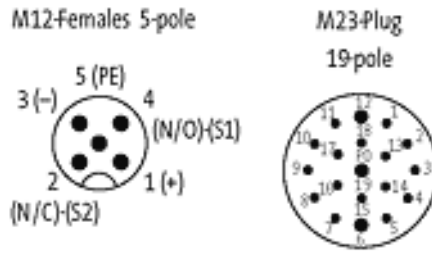


Contact layout

Contact 1	(+)	
Contact 2	(N/C)/(S2)	
Contact 3	(-)	
Contact 4	(N/O)/(S1)	
Contact 5	(Earth)	
LED display	LED (green): Power	LED (yellow): Signal (S1/S2)

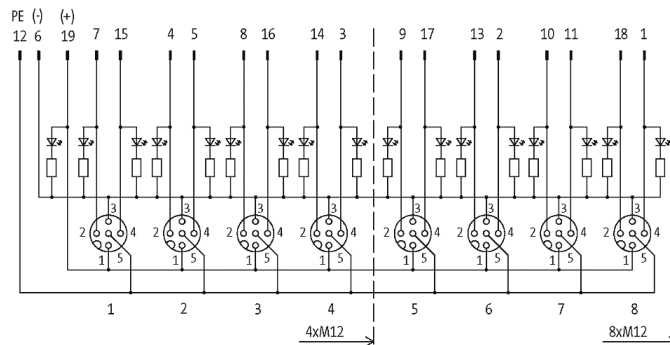
Technical Data	
Operating voltage	24 V DC
Operating current per contact (40 °C)	max. 4 A
Signal per port	2
Total current	max. 10 A
Housing	Plastic, flame retardant
Protection	IP65, IP67
Temperature range	-20...+80 °C
Technical data M12 port	
Locking of ports	Screw thread M12 × 1 mm
Commercial data	
Gross weight	102
Net weight	102
Weight unit	gram
Basic unit	pc.
Customs tariff number	85369010
Unit (piece)	1
Limited value	1
Accessories	
	Art.-No.
M12 plastic lock screw	58627
Label plate for use with MVP 17X9mm, white, 2 sets=12 pieces.	996050
Coding element PU 6 for use with MVP12 / MVP8 - plug. clamps	996054
adaptor M12 male/ M8 female 3p., seizure 1,3,4	7000-42201-000000
Comments	
Plastic housings with good resistance against chemicals and oils. The resistance to aggressive media should be individually tested for your application. Further details on request.	

Contact layout

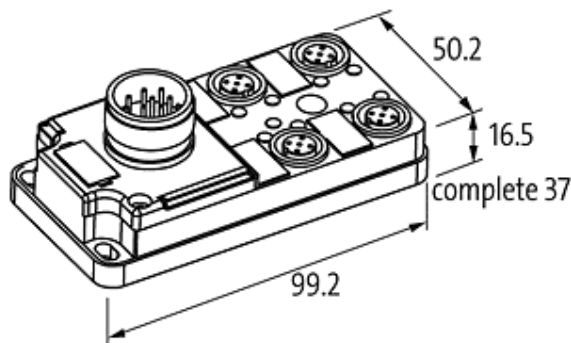


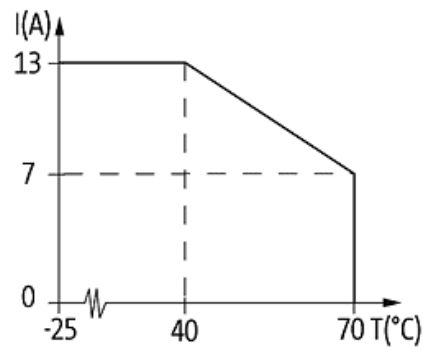
for 2 signals per port

Circuit diagram



Dimension drawing



De-rating curve

X-ON Electronics

Largest Supplier of Electrical and Electronic Components

Click to view similar products for [Sensor Cables / Actuator Cables](#) category:

Click to view products by [Murr Elektronik](#) manufacturer:

Other Similar products are found below :

[1300070444](#) [43-10984](#) [M83513/19-F01CP](#) [704000D02F120](#) [MDM15SH001K](#) [MDM25PH003BF222](#) [802027107404-1](#) [885030A09M010](#)
[885030A09M020](#) [1200650174](#) [1200651332](#) [1200651713](#) [1200660171](#) [1200660208](#) [1200660343](#) [1200660804](#) [1200660845](#) [1200660926](#)
[1200660977](#) [1200661173](#) [1200661354](#) [120066-1712](#) [1200720053](#) [1200720099](#) [1200720153](#) [1200720172](#) [1200720217](#) [1200720226](#)
[1200720251](#) [1200720285](#) [1200720296](#) [1200720404](#) [1200730148](#) [1200730378](#) [1200800231](#) [1200860112](#) [1200860121](#) [1200860125](#)
[1200860337](#) [1200860365](#) [1200860420](#) [1200870046](#) [1200870123](#) [1200870248](#) [1200980102](#) [1200660181](#) [1200660183](#) [1200660827](#)
[1200660849](#) [1200661170](#)