



GREEN ELECTRONICS



CIM

Terminal Blocks and Connectors for Printed Circuit Boards



ISO
9001



ISO
14001



BS OHSAS
18001:2007



SAURO[®]
ELECTRONIC CONNECTORS

Functional characteristics



Dimensional class:
medium



Standard colour:
green



Dimensions:
12 x 8.35 mm (.472 x .329 in)



Versions:
side stackable,
modular,
polarized,
locking screw flanges,
ejector ears



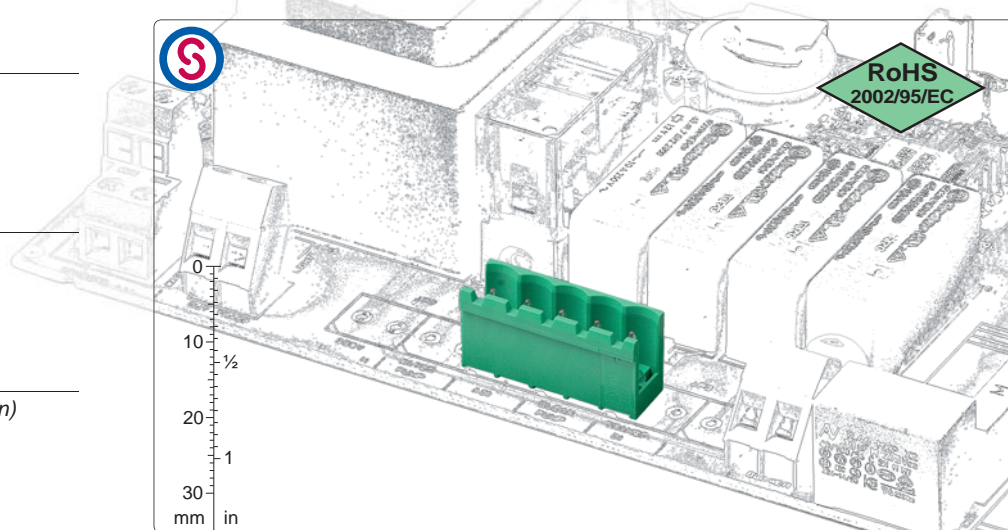
Single mould poles:
from 2 to 25
(modular, polarized and side stackable)
from 2 to 24
(locking screw flanges)



Pitches:
metric 5 mm, 7.5 mm, 10 mm
(.197 in, .295 in, .394 in)



imperial 5.08 mm, 7.62 mm, 10.16 mm
(.200 in, .300 in, .400 in)



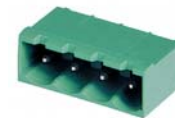
pitch 5/5.08 mm
straight version
side stackable



pitch 5/5.08 mm
straight version
locking screw flange



pitch 5/5.08 mm
90° version
modular



pitch 5/5.08 mm
90° version
polarized



45° version
modular



45° version
side stackable



45° version
locking screw flange



DESIGN-IN
ground pin



270° version
modular



270° version
polarized



CIM-SC1
coding splines

Brief description

The **CIM** male connector series is available in 5 mm (.197 in), 7.5 mm (.295 in) and 10 mm (.394 in) metric pitches and in 5.08 mm (.200 in), 7.62 mm (.300 in) and 10.16 mm (.400 in) Imperial pitches, in monolithic blocks from 2 to 25 poles, in side-stackable, modular or polarized versions or with locking screw flanges. It is possible to connect the relative female parallel to the PCB, inclined at 45°, overturned at 270° or vertical in relation to the board.

The **CIM** connector series for PCBs is characterized by an asymmetric profile, so mistakes are prevented when connections are made with the relative **CIF** or **CVF** with screw connection to the wire or **CGF** soldered to the board. Further safety when connecting can be obtained by using the **CIF-LC1** and **CIM-SCI** coding splines and coding clips (see page 20-21)

or **COF-SP1** polarization pegs (see page 18-19).

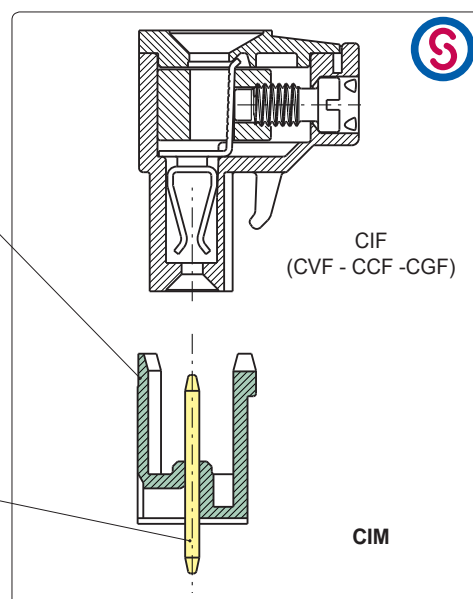
It is possible to side-stack or assemble the basic modular connectors in order to obtain any number of poles without losing the pitch. By taking advantage of this particular characteristic a minimum stock of basic connectors can be kept.

It is simple to manage the product, the warehouse and the assembly with the Kit packages because several versions can be received with only one code, the part-numbers are significantly reduced and the risk of making mistakes is also reduced

Characteristics of components

PA 6.6 polyamide housing.
 Standard colour: GREEN.
 V0 self-extinguishing according to UL 94.
 Chlorinated solvents resistant,
 with no phosphor, dioxin or
 detrimental to health halogens.

Easy to solder lead-free
 tin-plated copper alloy pin.



Mechanical characteristics

Insertion force per pole	max 3 N (.674 lbf)
Withdrawal force per pole	min 1,5 N (.337 lbf)
PCB thickness	max 2.4 mm (.094 in)
PCB hole diameter	min 1.4 mm (.055 in)
Operating temperature range	-40 °C ÷ +110 °C (-40 °F ÷ +230 °F)
Climatic category	40/110/21 according to EN 60068-1

Electric characteristics*

Rated voltage for 5 mm (.197 in) and 5.08 mm (.200 in) pitch	320 V (IMQ)*
Rated voltage for 7.5 mm (.295 in) and 7.62 mm (.300 in) pitch	500 V (IMQ)*
Rated voltage for 10 mm (.394 in) and 10.16 mm (.400 in) pitch	800 V (IMQ)*
Rated current	16 A (VDE)*
Contact resistance	<15 mΩ
Insulation resistance	>10 ⁹ Ω (500V DC)

*All the a.m. data refer to the highest values amongst the certificated ones.

V voltage, I current values and tightening torque are related to the norms to be applied to the product and to its use.

Approvals

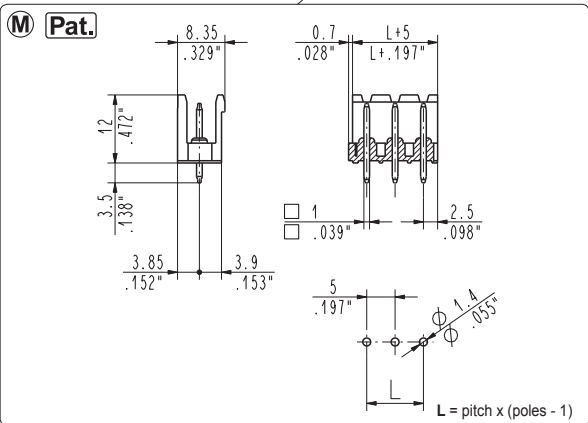
IEC-EN	IEC:	for 5 mm and 5.08 mm pitch:	200 V - 16 A - 2.5 mm ² - T110 - 4kV - 3 / 320 V - 16 A - 2.5 mm ² - T110 - 4kV - 2
	EN 61984	for 7.5 mm and 7.62 mm pitch:	320 V - 16 A - 2.5 mm ² - T110 - 6kV - 3 / 500 V - 16 A - 2.5 mm ² - T110 - 6kV - 2
		for 10 mm and 10.16 mm pitch:	500 V - 16 A - 2.5 mm ² - T110 - 8kV - 3 / 800 V - 16 A - 2.5 mm ² - T110 - 8kV - 2

UL	UL:	300 V - 15 A - 30÷12 AWG for 5 mm, 5.08 mm, 7.5 mm and 7.62 mm pitch
	File E167473	600 V - 15 A - 30÷12 AWG for 10 mm and 10.16 mm pitch
		Application values for end-use equipment have to be in accordance to UL norms and applicable to it.

VDE	VDE:	for 5 mm and 5.08 mm pitch:	250 V - 16 A - 2.5 mm ² - T110 - 2,5kV - 2
	File n. 40027448	for 7.5 mm and 7.62 mm pitch:	500 V - 16 A - 2.5 mm ² - T110 - 4kV - 2
		for 10 mm and 10.16 mm pitch:	750 V - 16 A - 2.5 mm ² - T110 - 6kV - 2

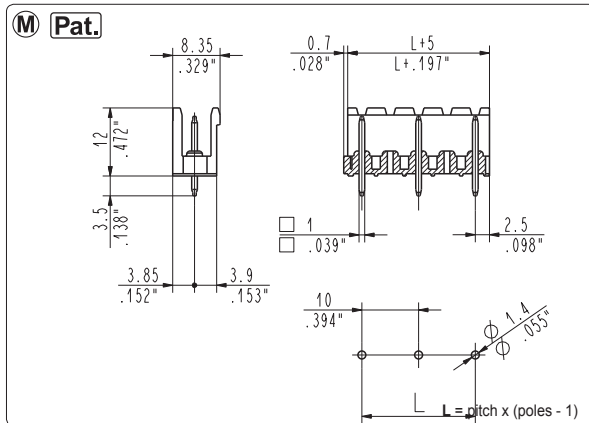
IMQ	IMQ:	for 5 mm and 5.08 mm pitch:	200 V - 16 A - 2.5 mm ² - T110 - 4kV - 3 / 320 V - 16 A - 2.5 mm ² - T110 - 4kV - 2
	File n. EM672	for 7.5 mm and 7.62 mm pitch:	320 V - 16 A - 2.5 mm ² - T110 - 6kV - 3 / 500 V - 16 A - 2.5 mm ² - T110 - 6kV - 2
		for 10 mm and 10.16 mm pitch:	500 V - 16 A - 2.5 mm ² - T110 - 8kV - 3 / 800 V - 16 A - 2.5 mm ² - T110 - 8kV - 2

See also "Certifications of Products"



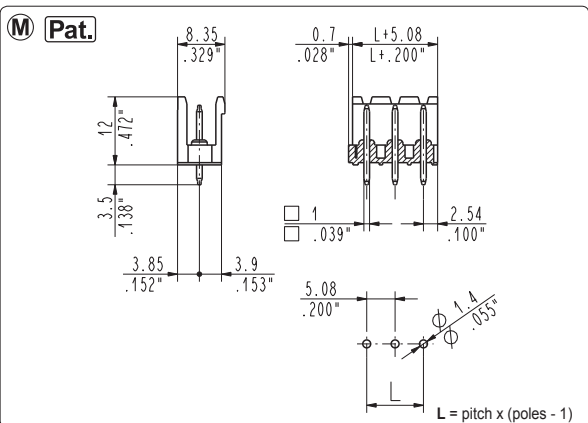
CIM_0M1 straight, modular male

5 mm / .197" pitch					
Poles	Code	Pcs/pack.	W [kg]*	Pcs/Ind.**	W [kg]*
02	CIM020M1	500	0,36	3000	2,16
03	CIM030M1	400	0,43	2000	2,16
04	CIM040M1	300	0,43	1500	2,16
05	CIM050M1	250	0,45	1500	2,70
06	CIM060M1	200	0,43	1000	2,16
07	CIM070M1	175	0,44	1000	2,52
08	CIM080M1	150	0,43	1000	2,88
09	CIM090M1	125	0,41	500	1,62
10	CIM100M1	100	0,36	500	1,80
11	CIM110M1	100	0,40	500	1,98
12	CIM120M1	75	0,32	500	2,16
13	CIM130M1	75	0,35	500	2,34
14	CIM140M1	75	0,38	500	2,52
15	CIM150M1	75	0,41	500	2,70
16	CIM160M1	75	0,43	500	2,88
17	CIM170M1	50	0,31	500	3,06
18	CIM180M1	50	0,32	250	1,62
19	CIM190M1	50	0,34	250	1,71
20	CIM200M1	50	0,36	250	1,80
21	CIM210M1	50	0,38	250	1,89
22	CIM220M1	50	0,40	250	1,98
23	CIM230M1	50	0,41	250	2,07
24	CIM240M1	50	0,43	250	2,16
25	CIM250M1	50	0,45	250	2,25



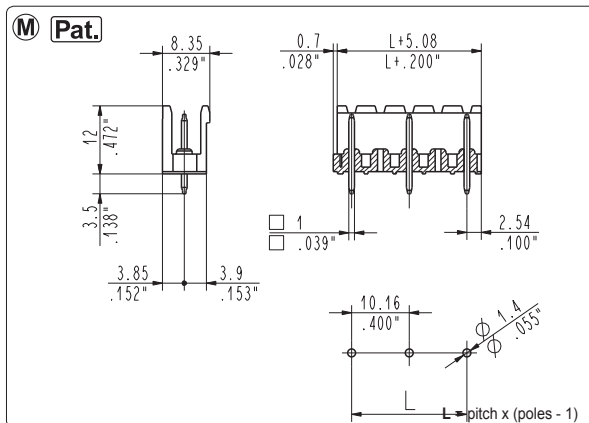
CIM_0M2 straight, modular male

10 mm / .394" pitch					
Poles	Code	Pcs/pack.	W [kg]*	Pcs/Ind.**	W [kg]*
01	CIM010M2	500	0,19	3000	1,11
02	CIM020M2	400	0,30	2000	1,48
03	CIM030M2	250	0,28	1500	1,67
04	CIM040M2	175	0,26	1000	1,48
05	CIM050M2	125	0,23	500	0,93
06	CIM060M2	100	0,22	500	1,11
07	CIM070M2	75	0,19	500	1,30
08	CIM080M2	75	0,22	500	1,48
09	CIM090M2	50	0,17	500	1,67
10	CIM100M2	50	0,19	250	0,93
11	CIM110M2	50	0,20	250	1,02
12	CIM120M2	50	0,22	250	1,11
13	CIM130M2	50	0,24	250	1,20



CIM_0M5 straight, modular male

5.08 mm / .200" pitch					
Poles	Code	Pcs/pack.	W [kg]*	Pcs/Ind.**	W [kg]*
02	CIM020M5	500	0,36	3000	2,16
03	CIM030M5	400	0,43	2000	2,16
04	CIM040M5	300	0,43	1500	2,16
05	CIM050M5	250	0,45	1500	2,70
06	CIM060M5	200	0,43	1000	2,16
07	CIM070M5	175	0,44	1000	2,52
08	CIM080M5	150	0,43	1000	2,88
09	CIM090M5	125	0,41	1000	3,24
10	CIM100M5	100	0,36	500	1,80
11	CIM110M5	100	0,40	500	1,98
12	CIM120M5	75	0,32	500	2,16
13	CIM130M5	75	0,35	500	2,34
14	CIM140M5	75	0,38	500	2,52
15	CIM150M5	75	0,41	500	2,70
16	CIM160M5	75	0,43	500	2,88
17	CIM170M5	50	0,31	500	3,06
18	CIM180M5	50	0,32	250	1,62
19	CIM190M5	50	0,34	250	1,71
20	CIM200M5	50	0,36	250	1,80
21	CIM210M5	50	0,38	250	1,89
22	CIM220M5	50	0,40	250	1,98
23	CIM230M5	50	0,41	250	2,07
24	CIM240M5	50	0,43	250	2,16
25	CIM250M5	50	0,45	250	2,25

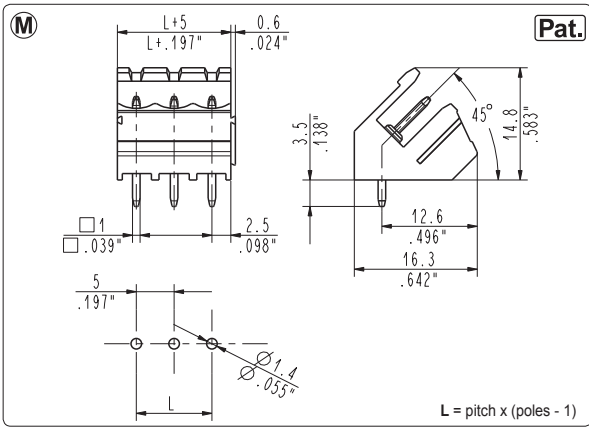


CIM_0M6 straight, modular male

10.16 mm / .400" pitch					
Poles	Code	Pcs/pack.	W [kg]*	Pcs/Ind.**	W [kg]*
01	CIM010M6	500	0,19	3000	1,11
02	CIM020M6	400	0,30	2000	1,48
03	CIM030M6	250	0,28	1500	1,67
04	CIM040M6	175	0,26	1000	1,48
05	CIM050M6	125	0,23	500	0,93
06	CIM060M6	100	0,22	500	1,11
07	CIM070M6	75	0,19	500	1,30
08	CIM080M6	75	0,22	500	1,48
09	CIM090M6	50	0,17	500	1,67
10	CIM100M6	50	0,19	250	0,93
11	CIM110M6	50	0,20	250	1,02
12	CIM120M6	50	0,22	250	1,11
13	CIM130M6	50	0,24	250	1,20

*W [kg]: approximate weight per box in kg

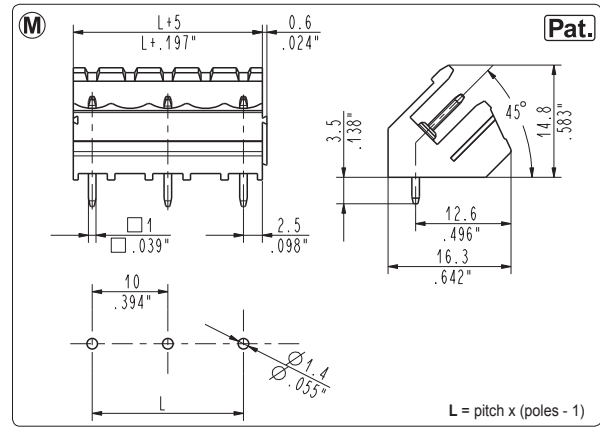
**Industrial packaging: add "-00000E" at standard code



CIM_4M1 45°, modular male

5 mm / .197" pitch

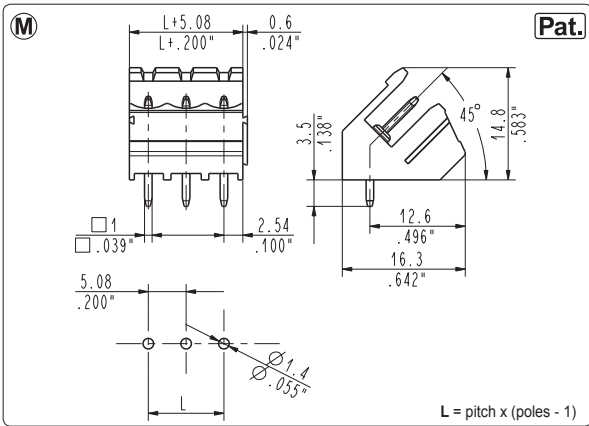
Poles	Code	Pcs/pack.	W [kg]*	Pcs/Ind.**	W [kg]*
02	CIM024M1	400	0,29	1500	1,08
03	CIM034M1	250	0,27	1000	1,08
04	CIM044M1	175	0,25	750	1,08
05	CIM054M1	125	0,23	750	1,35
06	CIM064M1	200	0,43	1000	2,16
07	CIM074M1	175	0,44	1000	2,52
08	CIM084M1	150	0,43	1000	2,88
09	CIM094M1	125	0,41	1000	3,24
10	CIM104M1	100	0,36	500	1,80
11	CIM114M1	100	0,40	500	1,98
12	CIM124M1	75	0,32	500	2,16
13	CIM134M1	75	0,35	500	2,34
14	CIM144M1	75	0,38	500	2,52
15	CIM154M1	75	0,41	500	2,70
16	CIM164M1	75	0,43	500	2,88
17	CIM174M1	50	0,31	500	3,06
18	CIM184M1	50	0,32	250	1,62
19	CIM194M1	50	0,34	250	1,71
20	CIM204M1	50	0,36	250	1,80
21	CIM214M1	50	0,38	250	1,89
22	CIM224M1	50	0,40	250	1,98
23	CIM234M1	50	0,41	250	2,07
24	CIM244M1	50	0,43	250	2,16
25	CIM254M1	50	0,45	250	2,25



CIM_4M2 45°, modular male

10 mm / .394" pitch

Poles	Code	Pcs/pack.	W [kg]*	Pcs/Ind.**	W [kg]*
01	CIM014M2	400	0,15	1500	0,56
02	CIM024M2	250	0,18	1000	0,74
03	CIM034M2	125	0,14	750	0,83
04	CIM044M2	100	0,15	750	1,12
05	CIM054M2	75	0,14	750	1,40
06	CIM064M2	75	0,17	1000	2,24
07	CIM074M2	50	0,13	1000	2,61
08	CIM084M2	50	0,15	1000	2,99
09	CIM094M2	50	0,17	1000	3,36
10	CIM104M2	50	0,19	500	1,87
11	CIM114M2	50	0,21	500	2,05
12	CIM124M2	50	0,22	500	2,24
13	CIM134M2	50	0,24	500	2,43

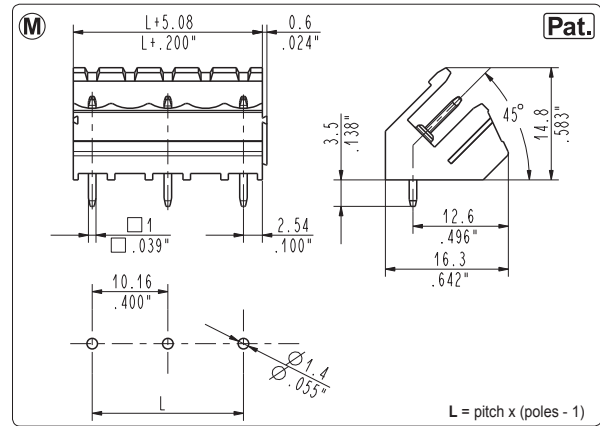


CIM_4M5 45°, modular male

5.08 mm / .200" pitch

Poles	Code	Pcs/pack.	W [kg]*	Pcs/Ind.**	W [kg]*
02	CIM024M5	400	0,29	1500	1,08
03	CIM034M5	250	0,27	1000	1,08
04	CIM044M5	175	0,25	750	1,08
05	CIM054M5	125	0,23	750	1,35
06	CIM064M5	100	0,22	500	1,08
07	CIM074M5	75	0,19	500	1,26
08	CIM084M5	75	0,22	500	1,44

max 8 poles can be combined

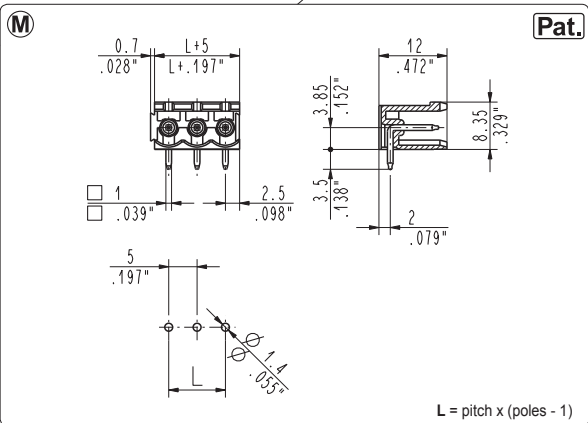


CIM_4M6 45°, modular male

10.16 mm / .400" pitch

Poles	Code	Pcs/pack.	W [kg]*	Pcs/Ind.**	W [kg]*
01	CIM014M6	400	0,15	1500	0,56
02	CIM024M6	250	0,18	1000	0,74
03	CIM034M6	125	0,14	750	0,83
04	CIM044M6	125	0,19	750	1,12

max 4 poles can be combined

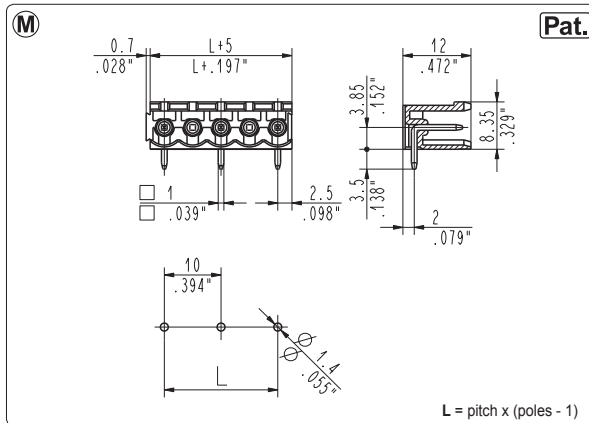


L = pitch x (poles - 1)

CIM_9M1 90°, modular male

5 mm / .197" pitch

Poles	Code	Pcs/pack.	W [kg]*	Pcs/Ind.**	W [kg]*
02	CIM029M1	500	0,37	3000	2,22
03	CIM039M1	400	0,44	2000	2,22
04	CIM049M1	300	0,44	1500	2,22
05	CIM059M1	250	0,46	1500	2,78
06	CIM069M1	200	0,44	1000	2,22
07	CIM079M1	175	0,45	1000	2,59
08	CIM089M1	150	0,44	1000	2,96
09	CIM099M1	125	0,42	1000	3,33
10	CIM109M1	100	0,37	500	1,85
11	CIM119M1	100	0,41	500	2,04
12	CIM129M1	75	0,33	500	2,22
13	CIM139M1	75	0,36	500	2,41
14	CIM149M1	75	0,39	500	2,59
15	CIM159M1	75	0,42	500	2,78
16	CIM169M1	75	0,44	500	2,96
17	CIM179M1	50	0,31	500	3,15
18	CIM189M1	50	0,33	250	1,67
19	CIM199M1	50	0,35	250	1,76
20	CIM209M1	50	0,37	250	1,85
21	CIM219M1	50	0,39	250	1,94
22	CIM229M1	50	0,41	250	2,04
23	CIM239M1	50	0,43	250	2,13
24	CIM249M1	50	0,44	250	2,22
25	CIM259M1	50	0,46	250	2,31

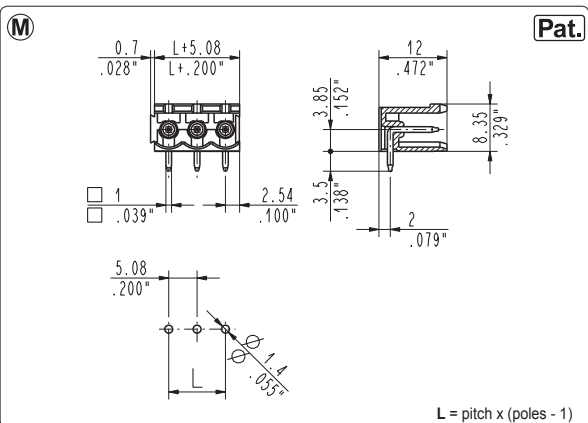


L = pitch x (poles - 1)

CIM_9M2 90°, modular male

10 mm / .394" pitch

Poles	Code	Pcs/pack.	W [kg]*	Pcs/Ind.**	W [kg]*
01	CIM019M2	500	0,19	3000	1,14
02	CIM029M2	400	0,30	2000	1,52
03	CIM039M2	250	0,29	1500	1,71
04	CIM049M2	175	0,27	1000	1,52
05	CIM059M2	125	0,24	500	0,95
06	CIM069M2	100	0,23	500	1,14
07	CIM079M2	75	0,20	500	1,33
08	CIM089M2	75	0,23	500	1,52
09	CIM099M2	50	0,17	500	1,71
10	CIM109M2	50	0,19	250	0,95
11	CIM119M2	50	0,21	250	1,05
12	CIM129M2	50	0,23	250	1,14
13	CIM139M2	50	0,25	250	1,24

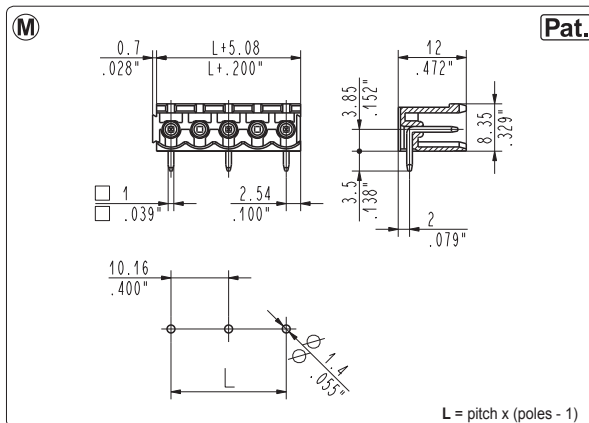


L = pitch x (poles - 1)

CIM_9M5 90°, modular male

5.08 mm / .200" pitch

Poles	Code	Pcs/pack.	W [kg]*	Pcs/Ind.**	W [kg]*
02	CIM029M5	500	0,37	3000	2,22
03	CIM039M5	400	0,44	2000	2,22
04	CIM049M5	300	0,44	1500	2,22
05	CIM059M5	250	0,46	1500	2,78
06	CIM069M5	200	0,44	1000	2,22
07	CIM079M5	175	0,45	1000	2,59
08	CIM089M5	150	0,44	1000	2,96
09	CIM099M5	125	0,42	1000	3,33
10	CIM109M5	100	0,37	500	1,85
11	CIM119M5	100	0,41	500	2,04
12	CIM129M5	75	0,33	500	2,22
12	CIM139M5	75	0,36	500	2,41
14	CIM149M5	75	0,39	500	2,59
15	CIM159M5	75	0,42	500	2,78
16	CIM169M5	75	0,44	500	2,96
17	CIM179M5	50	0,31	500	3,15
18	CIM189M5	50	0,33	250	1,67
19	CIM199M5	50	0,35	250	1,76
20	CIM209M5	50	0,37	250	1,85
21	CIM219M5	50	0,39	250	1,94
22	CIM229M5	50	0,41	250	2,04
23	CIM239M5	50	0,43	250	2,13
24	CIM249M5	50	0,44	250	2,22
25	CIM259M5	50	0,46	250	2,31



L = pitch x (poles - 1)

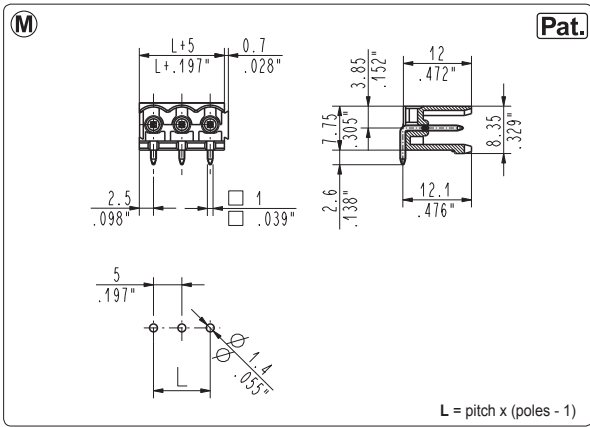
CIM_9M6 90°, modular male

10.16 mm / .400" pitch

Poles	Code	Pcs/pack.	W [kg]*	Pcs/Ind.**	W [kg]*
01	CIM019M6	500	0,19	3000	1,14
02	CIM029M6	400	0,30	2000	1,52
03	CIM039M6	250	0,29	1500	1,71
04	CIM049M6	175	0,27	1000	1,52
05	CIM059M6	125	0,24	500	0,95
06	CIM069M6	100	0,23	500	1,14
07	CIM079M6	75	0,20	500	1,33
08	CIM089M6	75	0,23	500	1,52
09	CIM099M6	50	0,17	500	1,71
10	CIM109M6	50	0,19	250	0,95
11	CIM119M6	50	0,21	250	1,05
12	CIM129M6	50	0,23	250	1,14
13	CIM139M6	50	0,25	250	1,24

*W [kg]: approximate weight per box in kg

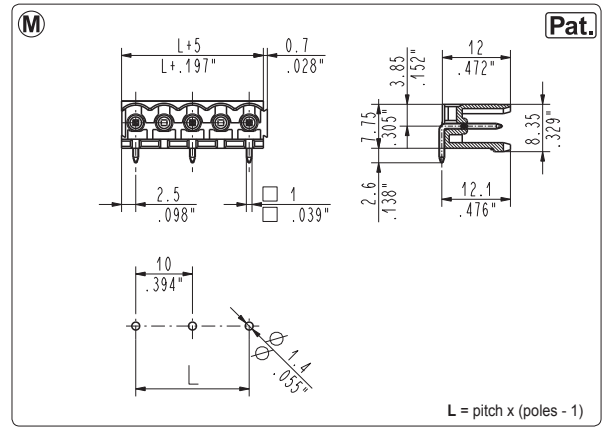
**Industrial packaging: add "-00000E" at standard code



L = pitch x (poles - 1)

CIM_5M1 270°, modular male

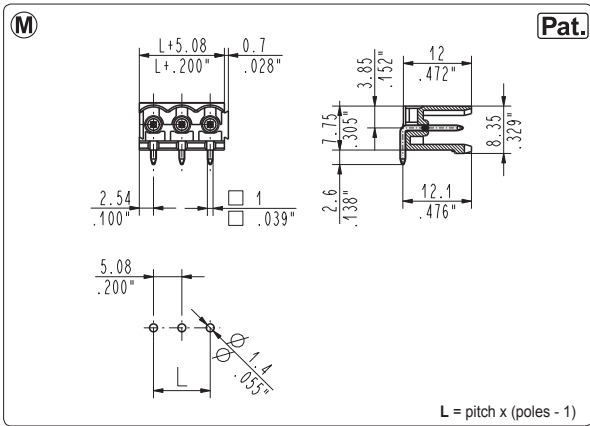
5 mm / .197" pitch					
Poles	Code	Pcs/pack.	W [kg]*	Pcs/Ind.**	W [kg]*
02	CIM025M1	500	0,37	3000	2,22
03	CIM035M1	400	0,44	2000	2,22
04	CIM045M1	300	0,44	1500	2,22
05	CIM055M1	250	0,46	1500	2,78
06	CIM065M1	200	0,44	1000	2,22
07	CIM075M1	175	0,45	1000	2,59
08	CIM085M1	150	0,44	1000	2,96
09	CIM095M1	125	0,42	1000	3,33
10	CIM105M1	100	0,37	500	1,85
11	CIM115M1	100	0,41	500	2,04
12	CIM125M1	75	0,33	500	2,22
13	CIM135M1	75	0,36	500	2,41
14	CIM145M1	75	0,39	500	2,59
15	CIM155M1	75	0,42	500	2,78
16	CIM165M1	75	0,44	500	2,96
17	CIM175M1	50	0,31	500	3,15
18	CIM185M1	50	0,33	250	1,67
19	CIM195M1	50	0,35	250	1,76
20	CIM205M1	50	0,37	250	1,85
21	CIM215M1	50	0,39	250	1,94
22	CIM225M1	50	0,41	250	2,04
23	CIM235M1	50	0,43	250	2,13
24	CIM245M1	50	0,44	250	2,22
25	CIM255M1	50	0,46	250	2,31



L = pitch x (poles - 1)

CIM_5M2 270°, modular male

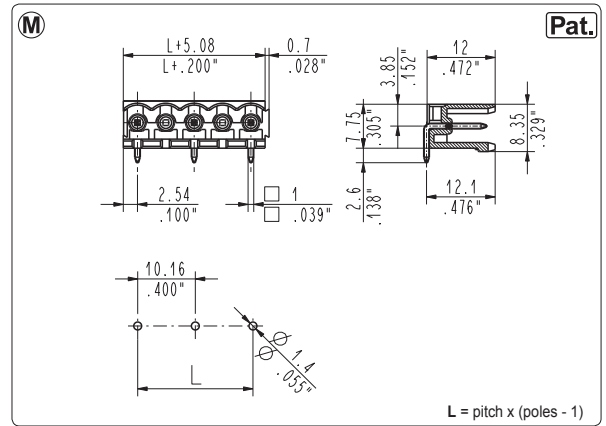
10 mm / .394" pitch					
Poles	Code	Pcs/pack.	W [kg]*	Pcs/Ind.**	W [kg]*
01	CIM015M2	500	0,19	3000	1,14
02	CIM025M2	400	0,30	2000	1,52
03	CIM035M2	250	0,29	1500	1,71
04	CIM045M2	175	0,27	1000	1,52
05	CIM055M2	125	0,24	500	0,95
06	CIM065M2	100	0,23	500	1,14
07	CIM075M2	75	0,20	500	1,33
08	CIM085M2	75	0,23	500	1,52
09	CIM095M2	50	0,17	500	1,71
10	CIM105M2	50	0,19	250	0,95
11	CIM115M2	50	0,21	250	1,05
12	CIM125M2	50	0,23	250	1,14
13	CIM135M2	50	0,25	250	1,24



L = pitch x (poles - 1)

CIM_5M5 270°, modular male

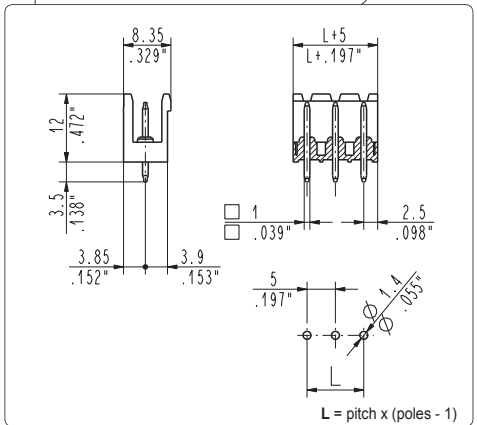
5.08 mm / .200" pitch					
Poles	Code	Pcs/pack.	W [kg]*	Pcs/Ind.**	W [kg]*
02	CIM025M5	500	0,37	3000	2,22
03	CIM035M5	400	0,44	2000	2,22
04	CIM045M5	300	0,44	1500	2,22
05	CIM055M5	250	0,46	1500	2,78
06	CIM065M5	200	0,44	1000	2,22
07	CIM075M5	175	0,45	1000	2,59
08	CIM085M5	150	0,44	1000	2,96
09	CIM095M5	125	0,42	1000	3,33
10	CIM105M5	100	0,37	500	1,85
11	CIM115M5	100	0,41	500	2,04
12	CIM125M5	75	0,33	500	2,22
13	CIM135M5	75	0,36	500	2,41
14	CIM145M5	75	0,39	500	2,59
15	CIM155M5	75	0,42	500	2,78
16	CIM165M5	75	0,44	500	2,96
17	CIM175M5	50	0,31	500	3,15
18	CIM185M5	50	0,33	250	1,67
19	CIM195M5	50	0,35	250	1,76
20	CIM205M5	50	0,37	250	1,85
21	CIM215M5	50	0,39	250	1,94
22	CIM225M5	50	0,41	250	2,04
23	CIM235M5	50	0,43	250	2,13
24	CIM245M5	50	0,44	250	2,22
25	CIM255M5	50	0,46	250	2,31



L = pitch x (poles - 1)

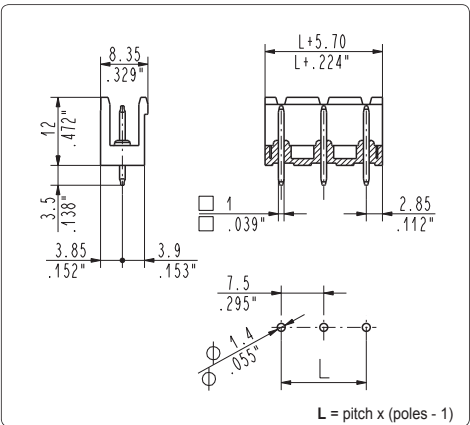
CIM_5M6 270°, modular male

10.16 mm / .400" pitch					
Poles	Code	Pcs/pack.	W [kg]*	Pcs/Ind.**	W [kg]*
01	CIM015M6	500	0,19	3000	1,14
02	CIM025M6	400	0,30	2000	1,52
03	CIM035M6	250	0,29	1500	1,71
04	CIM045M6	175	0,27	1000	1,52
05	CIM055M6	125	0,24	500	0,95
06	CIM065M6	100	0,23	500	1,14
07	CIM075M6	75	0,20	500	1,33
08	CIM085M6	75	0,23	500	1,52
09	CIM095M6	50	0,17	500	1,71
10	CIM105M6	50	0,19	250	0,95
11	CIM115M6	50	0,21	250	1,05
12	CIM125M6	50	0,23	250	1,14
13	CIM135M6	50	0,25	250	1,24



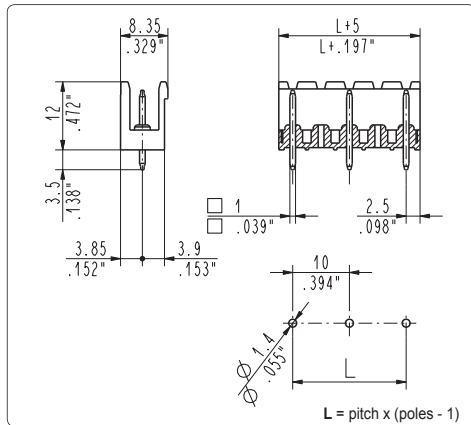
CIM_0A1 straight, side stackable male

5 mm / .197" pitch			
Poles	Code	Pcs/pack. W [kg]*	Pcs/Ind.** W [kg]*
02	CIM020A1	500 0,35	3000 2,10
03	CIM030A1	400 0,42	2000 2,10
04	CIM040A1	300 0,42	1500 2,10
05	CIM050A1	250 0,44	1500 2,63
06	CIM060A1	200 0,42	1000 2,10
07	CIM070A1	175 0,43	1000 2,45
08	CIM080A1	150 0,42	1000 2,80
09	CIM090A1	125 0,39	1000 3,15
10	CIM100A1	100 0,35	500 1,75
11	CIM110A1	100 0,39	500 1,93
12	CIM120A1	75 0,32	500 2,10
13	CIM130A1	75 0,34	500 2,28
14	CIM140A1	75 0,37	500 2,45
15	CIM150A1	75 0,39	500 2,63
16	CIM160A1	75 0,42	500 2,80
17	CIM170A1	50 0,30	500 2,98
18	CIM180A1	50 0,32	250 1,58
19	CIM190A1	50 0,33	250 1,66
20	CIM200A1	50 0,35	250 1,75
21	CIM210A1	50 0,37	250 1,84
22	CIM220A1	50 0,39	250 1,93
23	CIM230A1	50 0,40	250 2,01
24	CIM240A1	50 0,42	250 2,10
25	CIM250A1	50 0,44	250 2,19



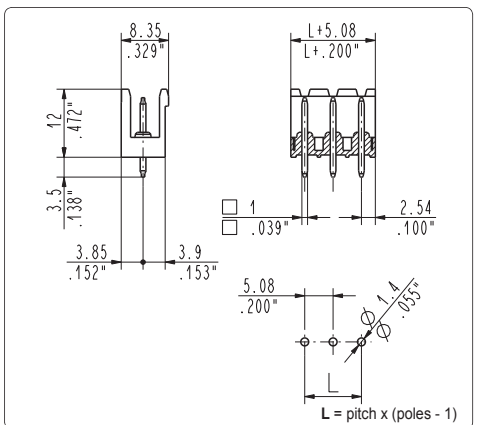
CIM_0A3 straight, side stackable male

7.5 mm / .295" pitch			
Poles	Code	Pcs/pack. W [kg]*	Pcs/Ind.** W [kg]*
02	CIM020A3	400 0,37	2000 1,84
03	CIM030A3	250 0,35	1500 2,07
04	CIM040A3	200 0,37	1000 1,84
05	CIM050A3	150 0,35	1000 2,30
06	CIM060A3	125 0,35	750 2,07
07	CIM070A3	100 0,32	500 1,61
08	CIM080A3	75 0,28	500 1,84
09	CIM090A3	75 0,31	500 2,07
10	CIM100A3	75 0,35	250 1,15
11	CIM110A3	50 0,25	250 1,27
12	CIM120A3	50 0,28	250 1,38



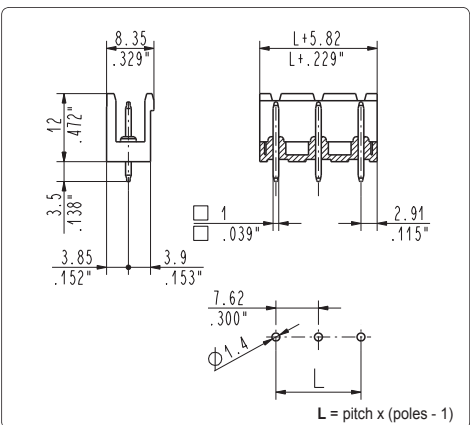
CIM_0A2 straight, side stackable male

10 mm / .394" pitch			
Poles	Code	Pcs/pack. W [kg]*	Pcs/Ind.** W [kg]*
02	CIM020A2	400 0,40	2000 2,00
03	CIM030A2	250 0,38	1500 2,26
04	CIM040A2	175 0,35	1000 2,00
05	CIM050A2	125 0,31	500 1,25
06	CIM060A2	100 0,30	500 1,50
07	CIM070A2	75 0,26	500 1,75
08	CIM080A2	75 0,30	500 2,00
09	CIM090A2	50 0,23	500 2,25
10	CIM100A2	50 0,25	250 1,25
11	CIM110A2	50 0,28	250 1,38
12	CIM120A2	50 0,30	250 1,50
13	CIM130A2	50 0,33	250 1,63



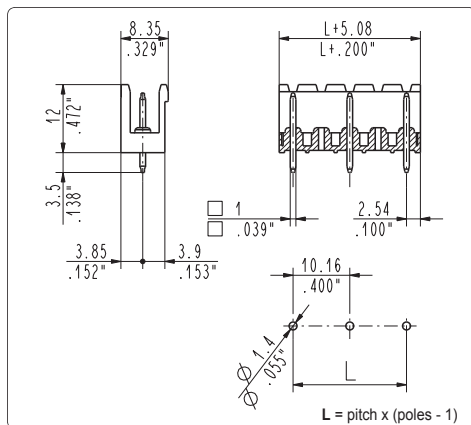
CIM_0A5 straight, side stackable male

5.08 mm / .200" pitch			
Poles	Code	Pcs/pack. W [kg]*	Pcs/Ind.** W [kg]*
02	CIM020A5	500 0,35	3000 2,10
03	CIM030A5	400 0,42	2000 2,10
04	CIM040A5	300 0,42	1500 2,10
05	CIM050A5	250 0,44	1500 2,63
06	CIM060A5	200 0,42	1000 2,10
07	CIM070A5	175 0,43	1000 2,45
08	CIM080A5	150 0,42	1000 2,80
09	CIM090A5	125 0,39	1000 3,15
10	CIM100A5	100 0,35	500 1,75
11	CIM110A5	100 0,39	500 1,93
12	CIM120A5	75 0,32	500 2,10
13	CIM130A5	75 0,34	500 2,28
14	CIM140A5	75 0,37	500 2,45
15	CIM150A5	75 0,39	500 2,63
16	CIM160A5	75 0,42	500 2,80
17	CIM170A5	50 0,30	500 2,98
18	CIM180A5	50 0,32	250 1,58
19	CIM190A5	50 0,33	250 1,66
20	CIM200A5	50 0,35	250 1,75
21	CIM210A5	50 0,37	250 1,84
22	CIM220A5	50 0,39	250 1,93
23	CIM230A5	50 0,40	250 2,01
24	CIM240A5	50 0,42	250 2,10
25	CIM250A5	50 0,44	250 2,19



CIM_0A7 straight, side stackable male

7.62 mm / .300" pitch			
Poles	Code	Pcs/pack. W [kg]*	Pcs/Ind.** W [kg]*
02	CIM020A7	400 0,37	2000 1,84
03	CIM030A7	250 0,35	1500 2,07
04	CIM040A7	200 0,37	1000 1,84
05	CIM050A7	150 0,35	1000 2,30
06	CIM060A7	125 0,35	750 2,07
07	CIM070A7	100 0,32	500 1,61
08	CIM080A7	75 0,28	500 1,84
09	CIM090A7	75 0,31	500 2,07
10	CIM100A7	75 0,35	250 1,15
11	CIM110A7	50 0,25	250 1,27
12	CIM120A7	50 0,28	250 1,38

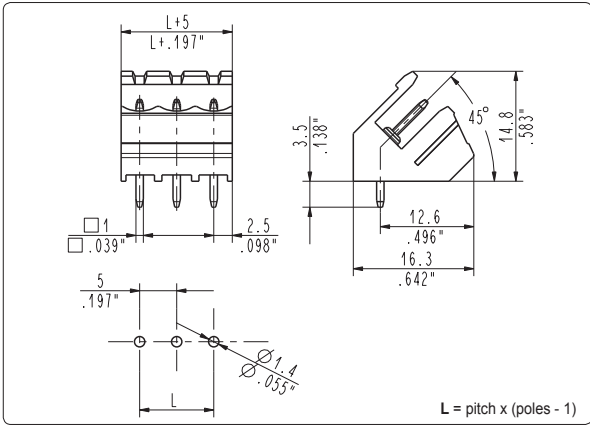


CIM_0A6 straight, side stackable male

10.16 mm / .400" pitch			
Poles	Code	Pcs/pack. W [kg]*	Pcs/Ind.** W [kg]*
02	CIM020A6	400 0,40	2000 2,00
03	CIM030A6	250 0,38	1500 2,26
04	CIM040A6	175 0,35	1000 2,00
05	CIM050A6	125 0,31	500 1,25
06	CIM060A6	100 0,30	500 1,50
07	CIM070A6	75 0,26	500 1,75
08	CIM080A6	75 0,30	500 2,00
09	CIM090A6	50 0,23	500 2,25
10	CIM100A6	50 0,25	250 1,25
11	CIM110A6	50 0,28	250 1,38
12	CIM120A6	50 0,30	250 1,50
13	CIM130A6	50 0,33	250 1,63

*W [kg]: approximate weight per box in kg

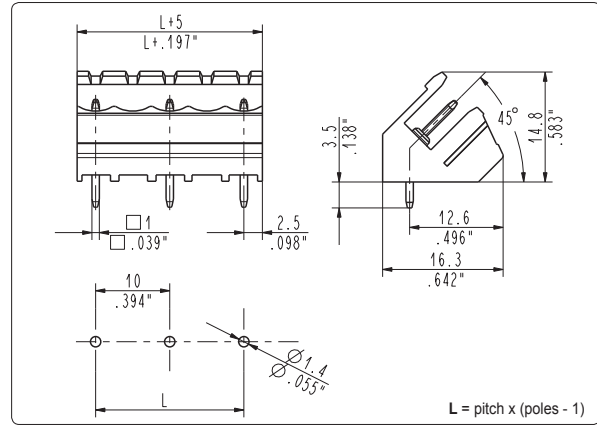
**Industrial packaging: add "-00000E" at standard code



CIM_4A1 45°, side stackable male

5 mm / .197" pitch

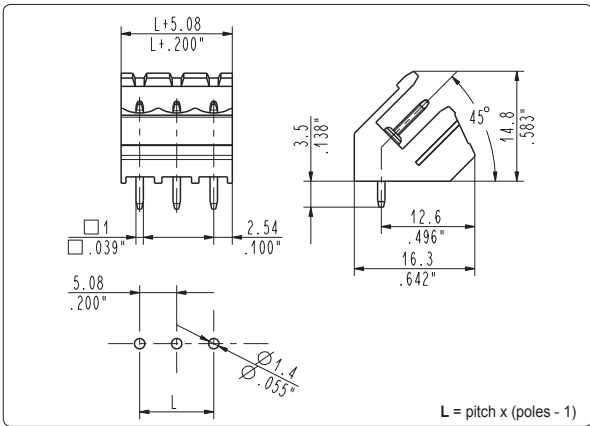
Poles	Code	Pcs/pack.	W [kg]*	Pcs/Ind.**	W [kg]*
02	CIM024A1	400	0,28	1500	1,05
03	CIM034A1	250	0,26	1000	1,05
04	CIM044A1	175	0,25	750	1,05
05	CIM054A1	125	0,22	500	0,88
06	CIM064A1	100	0,21	500	1,05
07	CIM074A1	75	0,18	500	1,23
08	CIM084A1	75	0,21	500	1,40
09	CIM094A1	50	0,16	250	0,79
10	CIM104A1	50	0,18	250	0,88
11	CIM114A1	50	0,19	250	0,96
12	CIM124A1	50	0,21	250	1,05
13	CIM134A1	50	0,23	250	1,14
14	CIM144A1	50	0,25	250	1,23
15	CIM154A1	50	0,26	250	1,31
16	CIM164A1	50	0,28	250	1,40
17	CIM174A1	50	0,30	250	1,49
18	CIM184A1	50	0,32	125	0,79
19	CIM194A1	30	0,20	125	0,83
20	CIM204A1	30	0,21	125	0,88
21	CIM214A1	30	0,22	125	0,92
22	CIM224A1	30	0,23	125	0,96
23	CIM234A1	30	0,24	125	1,01
24	CIM244A1	30	0,25	125	1,05
25	CIM254A1	30	0,26	125	1,09



CIM_4A2 45°, side stackable male

10 mm / .394" pitch

Poles	Code	Pcs/pack.	W [kg]*	Pcs/Ind.**	W [kg]*
02	CIM024A2	250	0,25	1000	1,00
03	CIM034A2	125	0,19	750	1,13
04	CIM044A2	75	0,15	500	1,00
05	CIM054A2	50	0,13	250	0,63
06	CIM064A2	50	0,15	250	0,75
07	CIM074A2	50	0,18	250	0,88
08	CIM084A2	50	0,20	250	1,00
09	CIM094A2	50	0,23	250	1,13
10	CIM104A2	30	0,15	125	0,63
11	CIM114A2	30	0,17	125	0,69
12	CIM124A2	30	0,18	125	0,75
13	CIM134A2	30	0,20	125	0,81

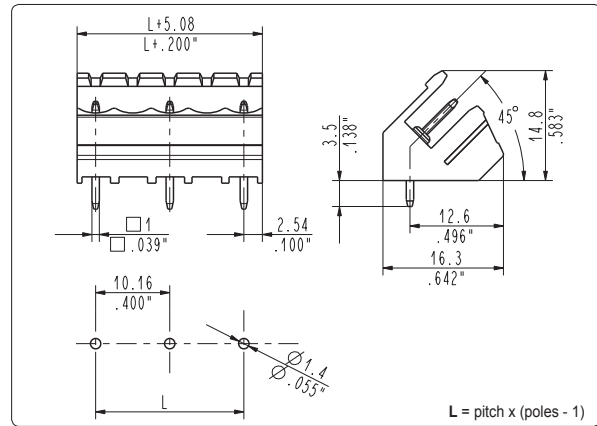


CIM_4A5 45°, side stackable male

5.08 mm / .200" pitch

Poles	Code	Pcs/pack.	W [kg]*	Pcs/Ind.**	W [kg]*
02	CIM024A5	400	0,28	1500	1,05
03	CIM034A5	250	0,26	1000	1,05
04	CIM044A5	175	0,25	750	1,05
05	CIM054A5	125	0,22	500	0,88
06	CIM064A5	100	0,21	500	1,05
07	CIM074A5	75	0,18	500	1,23
08	CIM084A5	75	0,21	500	1,40

Max 8 poles can be combined

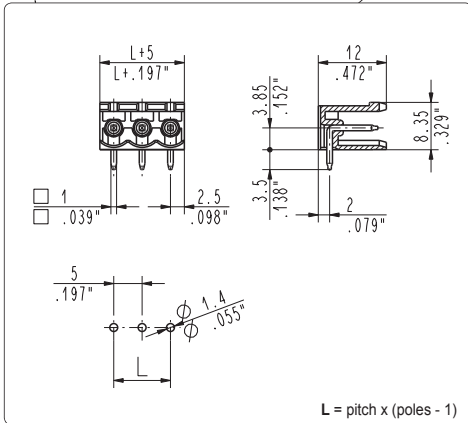


CIM_4A6 45°, side stackable male

10.16 mm / .400" pitch

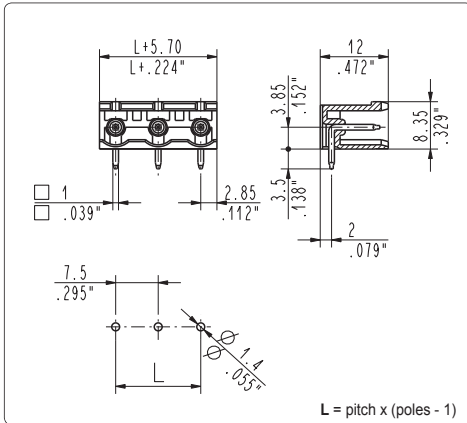
Poles	Code	Pcs/pack.	W [kg]*	Pcs/Ind.**	W [kg]*
02	CIM024A6	250	0,25	1000	1,00
03	CIM034A6	125	0,19	750	1,13
04	CIM044A6	75	0,15	500	1,00

Max 4 poles can be combined



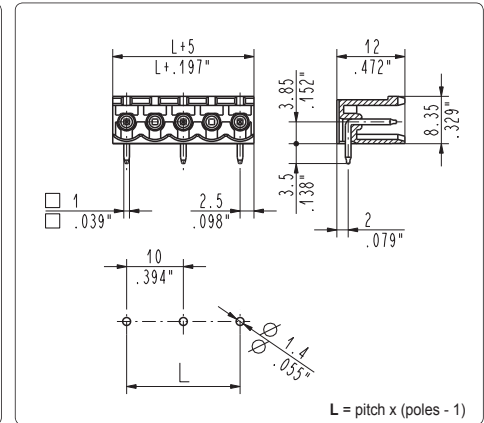
CIM_9A1 90°, side stackable male

5 mm / .197" pitch				
Poles	Code	Pcs/pack.	W [kg]*	Pcs/Ind.** W [kg]*
02	CIM029A1	500	0,36	3000 2,16
03	CIM039A1	400	0,43	2000 2,16
04	CIM049A1	300	0,43	1500 2,16
05	CIM059A1	250	0,45	1500 2,70
06	CIM069A1	200	0,43	1000 2,16
07	CIM079A1	175	0,44	1000 2,52
08	CIM089A1	150	0,43	1000 2,88
09	CIM099A1	125	0,41	1000 3,24
10	CIM109A1	100	0,36	500 1,80
11	CIM119A1	100	0,40	500 1,98
12	CIM129A1	75	0,32	500 2,16
13	CIM139A1	75	0,35	500 2,34
14	CIM149A1	75	0,38	500 2,52
15	CIM159A1	75	0,41	500 2,70
16	CIM169A1	75	0,43	500 2,88
17	CIM179A1	50	0,31	500 3,06
18	CIM189A1	50	0,32	250 1,62
19	CIM199A1	50	0,34	250 1,71
20	CIM209A1	50	0,36	250 1,80
21	CIM219A1	50	0,38	250 1,89
22	CIM229A1	50	0,40	250 1,98
23	CIM239A1	50	0,41	250 2,07
24	CIM249A1	50	0,43	250 2,16
25	CIM259A1	50	0,45	250 2,25



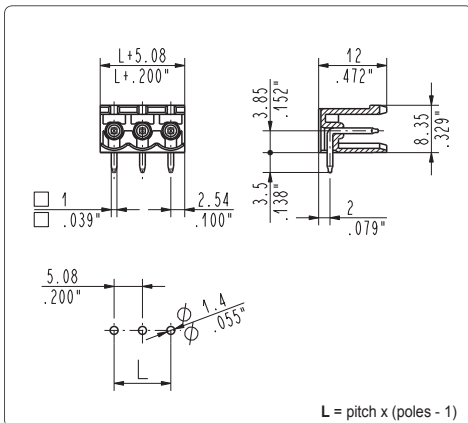
CIM_9A3 90°, side stackable male

7.5 mm / .295" pitch				
Poles	Code	Pcs/pack.	W [kg]*	Pcs/Ind.** W [kg]*
02	CIM029A3	400	0,38	2000 1,92
03	CIM039A3	250	0,36	1500 2,16
04	CIM049A3	200	0,38	1000 1,92
05	CIM059A3	150	0,36	1000 2,40
06	CIM069A3	125	0,36	750 2,16
07	CIM079A3	100	0,34	500 1,68
08	CIM089A3	75	0,29	500 1,92
09	CIM099A3	75	0,32	500 2,16
10	CIM109A3	75	0,36	250 1,20
11	CIM119A3	50	0,26	250 1,32
12	CIM129A3	50	0,29	250 1,44



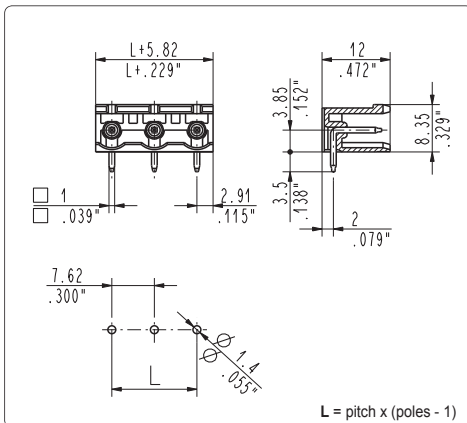
CIM_9A2 90°, side stackable male

10 mm / .394" pitch				
Poles	Code	Pcs/pack.	W [kg]*	Pcs/Ind.** W [kg]*
02	CIM029A2	400	0,42	2000 2,12
03	CIM039A2	250	0,40	1500 2,39
04	CIM049A2	175	0,37	1000 2,12
05	CIM059A2	125	0,33	500 1,33
06	CIM069A2	100	0,32	500 1,59
07	CIM079A2	75	0,28	500 1,86
08	CIM089A2	75	0,32	500 2,12
09	CIM099A2	50	0,24	500 2,39
10	CIM109A2	50	0,27	250 1,33
11	CIM119A2	50	0,29	250 1,46
12	CIM129A2	50	0,32	250 1,59
13	CIM139A2	50	0,34	250 1,73



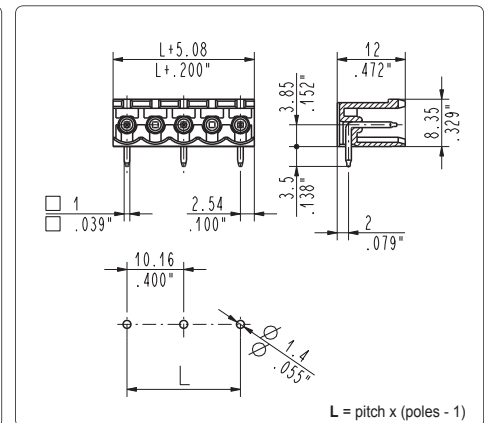
CIM_9A5 90°, side stackable male

5.08 mm / .200" pitch				
Poles	Code	Pcs/pack.	W [kg]*	Pcs/Ind.** W [kg]*
02	CIM029A5	500	0,36	3000 2,16
03	CIM039A5	400	0,43	2000 2,16
04	CIM049A5	300	0,43	1500 2,16
05	CIM059A5	250	0,45	1500 2,70
06	CIM069A5	200	0,43	1000 2,16
07	CIM079A5	175	0,44	1000 2,52
08	CIM089A5	150	0,43	1000 2,88
09	CIM099A5	125	0,41	1000 3,24
10	CIM109A5	100	0,36	500 1,80
11	CIM119A5	100	0,40	500 1,98
12	CIM129A5	75	0,32	500 2,16
13	CIM139A5	75	0,35	500 2,34
14	CIM149A5	75	0,38	500 2,52
15	CIM159A5	75	0,41	500 2,70
16	CIM169A5	75	0,43	500 2,88
17	CIM179A5	50	0,31	500 3,06
18	CIM189A5	50	0,32	250 1,62
19	CIM199A5	50	0,34	250 1,71
20	CIM209A5	50	0,36	250 1,80
21	CIM219A5	50	0,38	250 1,89
22	CIM229A5	50	0,40	250 1,98
23	CIM239A5	50	0,41	250 2,07
24	CIM249A5	50	0,43	250 2,16
25	CIM259A5	50	0,45	250 2,25



CIM_9A7 90°, side stackable male

7.62 mm / .300" pitch				
Poles	Code	Pcs/pack.	W [kg]*	Pcs/Ind.** W [kg]*
02	CIM029A7	400	0,38	2000 1,92
03	CIM039A7	250	0,36	1500 2,16
04	CIM049A7	200	0,38	1000 1,92
05	CIM059A7	150	0,36	1000 2,40
06	CIM069A7	125	0,36	750 2,16
07	CIM079A7	100	0,34	500 1,68
08	CIM089A7	75	0,29	500 1,92
09	CIM099A7	75	0,32	500 2,16
10	CIM109A7	75	0,36	250 1,20
11	CIM119A7	50	0,26	250 1,32
12	CIM129A7	50	0,29	250 1,44

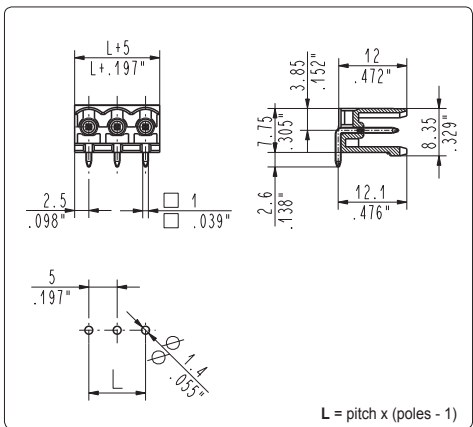


CIM_9A6 90°, side stackable male

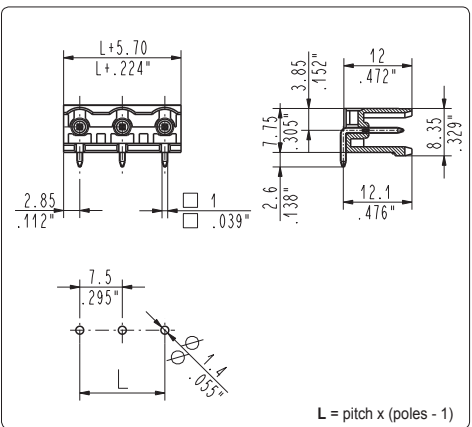
10.16 mm / .400" pitch				
Poles	Code	Pcs/pack.	W [kg]*	Pcs/Ind.** W [kg]*
02	CIM029A6	400	0,42	2000 2,12
03	CIM039A6	250	0,40	1500 2,39
04	CIM049A6	175	0,37	1000 2,12
05	CIM059A6	125	0,33	500 1,33
06	CIM069A6	100	0,32	500 1,59
07	CIM079A6	75	0,28	500 1,86
08	CIM089A6	75	0,32	500 2,12
09	CIM099A6	50	0,24	500 2,39
10	CIM109A6	50	0,27	250 1,33
11	CIM119A6	50	0,29	250 1,46
12	CIM129A6	50	0,32	250 1,59
13	CIM139A6	50	0,34	250 1,73

*W [kg]: approximate weight per box in kg

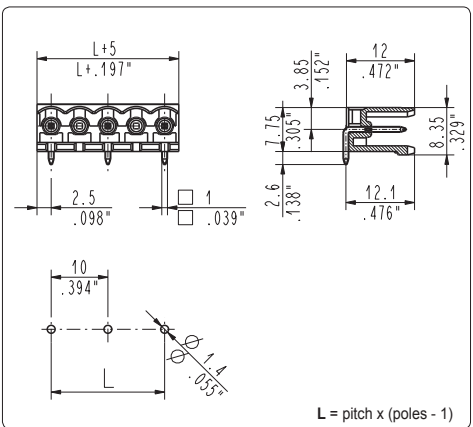
**Industrial packaging: add "-00000E" at standard code



L = pitch x (poles - 1)



L = pitch x (poles - 1)



L = pitch x (poles - 1)

CIM_5A1 270°, side stackable male

5 mm / .197" pitch

Poles	Code	Pcs/pack.	W [kg]*	Pcs/Ind.**	W [kg]*
02	CIM025A1	500	0,36	3000	2,16
03	CIM035A1	400	0,43	2000	2,16
04	CIM045A1	300	0,43	1500	2,16
05	CIM055A1	250	0,45	1500	2,70
06	CIM065A1	200	0,43	1000	2,16
07	CIM075A1	175	0,44	1000	2,52
08	CIM085A1	150	0,43	1000	2,88
09	CIM095A1	125	0,41	1000	3,24
10	CIM105A1	100	0,36	500	1,80
11	CIM115A1	100	0,40	500	1,98
12	CIM125A1	75	0,32	500	2,16
13	CIM135A1	75	0,35	500	2,34
14	CIM145A1	75	0,38	500	2,52
15	CIM155A1	75	0,41	500	2,70
16	CIM165A1	75	0,43	500	2,88
17	CIM175A1	50	0,31	500	3,06
18	CIM185A1	50	0,32	250	1,62
19	CIM195A1	50	0,34	250	1,71
20	CIM205A1	50	0,36	250	1,80
21	CIM215A1	50	0,38	250	1,89
22	CIM225A1	50	0,40	250	1,98
23	CIM235A1	50	0,41	250	2,07
24	CIM245A1	50	0,43	250	2,16
25	CIM255A1	50	0,45	250	2,25

CIM_5A3 270°, side stackable male

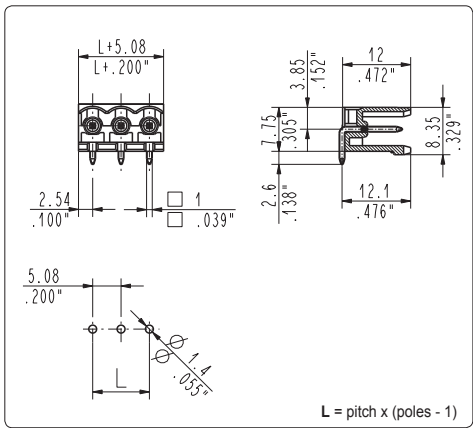
7.5 mm / .295" pitch

Poles	Code	Pcs/pack.	W [kg]*	Pcs/Ind.**	W [kg]*
02	CIM025A3	400	0,38	2000	1,92
03	CIM035A3	250	0,36	1500	2,16
04	CIM045A3	200	0,38	1000	1,92
05	CIM055A3	150	0,36	1000	2,40
06	CIM065A3	125	0,36	750	2,16
07	CIM075A3	100	0,34	500	1,68
08	CIM085A3	75	0,29	500	1,92
09	CIM095A3	75	0,32	500	2,16
10	CIM105A3	75	0,36	250	1,20
11	CIM115A3	50	0,26	250	1,32
12	CIM125A3	50	0,29	250	1,44

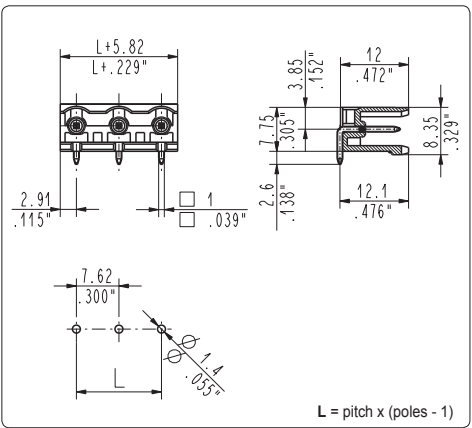
CIM_5A2 270°, side stackable male

10 mm / .394" pitch

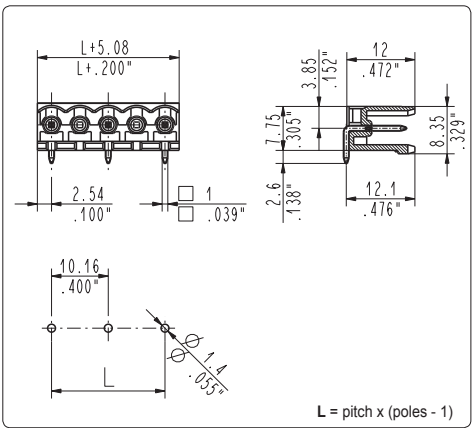
Poles	Code	Pcs/pack.	W [kg]*	Pcs/Ind.**	W [kg]*
02	CIM025A2	400	0,42	2000	2,12
03	CIM035A2	250	0,40	1500	2,39
04	CIM045A2	175	0,37	1000	2,12
05	CIM055A2	125	0,33	500	1,33
06	CIM065A2	100	0,32	500	1,59
07	CIM075A2	75	0,28	500	1,86
08	CIM085A2	75	0,32	500	2,12
09	CIM095A2	50	0,24	500	2,39
10	CIM105A2	50	0,27	250	1,33
11	CIM115A2	50	0,29	250	1,46
12	CIM125A2	50	0,32	250	1,59
13	CIM135A2	50	0,34	250	1,73



L = pitch x (poles - 1)



L = pitch x (poles - 1)



L = pitch x (poles - 1)

CIM_5A5 270°, side stackable male

5.08 mm / .200" pitch

Poles	Code	Pcs/pack.	W [kg]*	Pcs/Ind.**	W [kg]*
02	CIM025A5	500	0,36	3000	2,16
03	CIM035A5	400	0,43	2000	2,16
04	CIM045A5	300	0,43	1500	2,16
05	CIM055A5	250	0,45	1500	2,70
06	CIM065A5	200	0,43	1000	2,16
07	CIM075A5	175	0,44	1000	2,52
08	CIM085A5	150	0,43	1000	2,88
09	CIM095A5	125	0,41	1000	3,24
10	CIM105A5	100	0,36	500	1,80
11	CIM115A5	100	0,40	500	1,98
12	CIM125A5	75	0,32	500	2,16
13	CIM135A5	75	0,35	500	2,34
14	CIM145A5	75	0,38	500	2,52
15	CIM155A5	75	0,41	500	2,70
16	CIM165A5	75	0,43	500	2,88
17	CIM175A5	50	0,31	500	3,06
18	CIM185A5	50	0,32	250	1,62
19	CIM195A5	50	0,34	250	1,71
20	CIM205A5	50	0,36	250	1,80
21	CIM215A5	50	0,38	250	1,89
22	CIM225A5	50	0,40	250	1,98
23	CIM235A5	50	0,41	250	2,07
24	CIM245A5	50	0,43	250	2,16
25	CIM255A5	50	0,45	250	2,25

CIM_5A7 270°, side stackable male

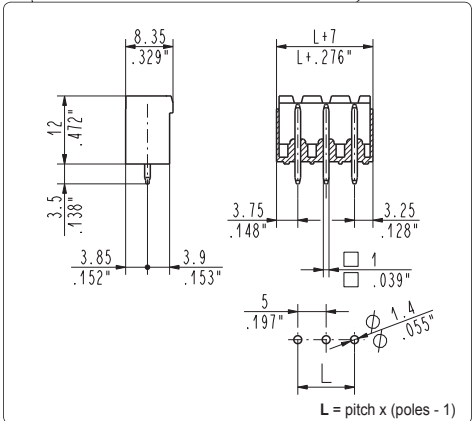
7.62 mm / .300" pitch

Poles	Code	Pcs/pack.	W [kg]*	Pcs/Ind.**	W [kg]*
02	CIM025A7	400	0,38	2000	1,92
03	CIM035A7	250	0,36	1500	2,16
04	CIM045A7	200	0,38	1000	1,92
05	CIM055A7	150	0,36	1000	2,40
06	CIM065A7	125	0,36	750	2,16
07	CIM075A7	100	0,34	500	1,68
08	CIM085A7	75	0,29	500	1,92
09	CIM095A7	75	0,32	500	2,16
10	CIM105A7	75	0,36	250	1,20
11	CIM115A7	50	0,26	250	1,32
12	CIM125A7	50	0,29	250	1,44

CIM_5A6 270°, side stackable male

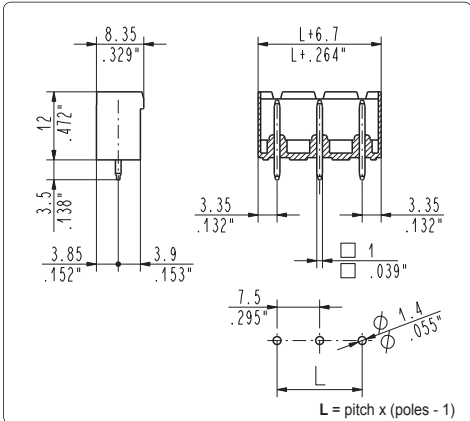
10.16 mm / .400" pitch

Poles	Code	Pcs/pack.	W [kg]*	Pcs/Ind.**	W [kg]*
02	CIM025A6	400	0,42	2000	2,12
03	CIM035A6	250	0,40	1500	2,39
04	CIM045A6	175	0,37	1000	2,12
05	CIM055A6	125	0,33	500	1,33
06	CIM065A6	100	0,32	500	1,59
07	CIM075A6	75	0,28	500	1,86
08	CIM085A6	75	0,32	500	2,12
09	CIM095A6	50	0,24	500	2,39
10	CIM105A6	50	0,27	250	1,33
11	CIM115A6	50	0,29	250	1,46
12	CIM125A6	50	0,32	250	1,59
13	CIM135A6	50	0,34	250	1,73



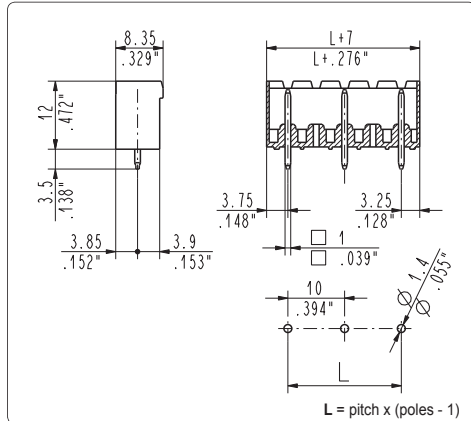
CIM_0P1 straight, polarized male

5 mm / .197" pitch			
Poles	Code	Pcs/pack. W [kg]*	Pcs/Ind.** W [kg]*
02	CIM020P1	500 0,45	3000 2,70
03	CIM030P1	400 0,54	2000 2,70
04	CIM040P1	300 0,54	1500 2,70
05	CIM050P1	250 0,56	1500 3,38
06	CIM060P1	200 0,54	1000 2,70
07	CIM070P1	175 0,55	1000 3,15
08	CIM080P1	150 0,54	1000 3,60
09	CIM090P1	125 0,51	1000 4,05
10	CIM100P1	100 0,45	500 2,25
11	CIM110P1	100 0,50	500 2,48
12	CIM120P1	75 0,41	500 2,70
13	CIM130P1	75 0,44	500 2,93
14	CIM140P1	75 0,47	500 3,15
15	CIM150P1	75 0,51	500 3,38
16	CIM160P1	75 0,54	500 3,60
17	CIM170P1	50 0,38	500 3,83
18	CIM180P1	50 0,41	250 2,03
19	CIM190P1	50 0,43	250 2,14
20	CIM200P1	50 0,45	250 2,25
21	CIM210P1	50 0,47	250 2,36
22	CIM220P1	50 0,50	250 2,48
23	CIM230P1	50 0,52	250 2,59
24	CIM240P1	50 0,54	250 2,70
25	CIM250P1	50 0,56	250 2,81



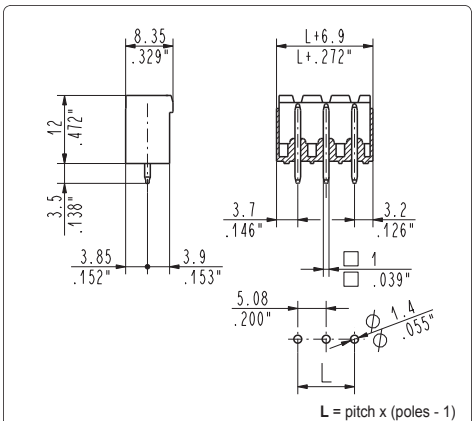
CIM_0P3 straight, polarized male

7.5 mm / .295" pitch			
Poles	Code	Pcs/pack. W [kg]*	Pcs/Ind.** W [kg]*
02	CIM020P3	400 0,40	2000 2,00
03	CIM030P3	250 0,38	1500 2,25
04	CIM040P3	200 0,40	1000 2,00
05	CIM050P3	150 0,38	1000 2,50
06	CIM060P3	125 0,38	750 2,25
07	CIM070P3	100 0,35	500 1,75
08	CIM080P3	75 0,30	500 2,00
09	CIM090P3	75 0,34	500 2,25
10	CIM100P3	75 0,38	250 1,25
11	CIM110P3	50 0,28	250 1,38
12	CIM120P3	50 0,30	250 1,50



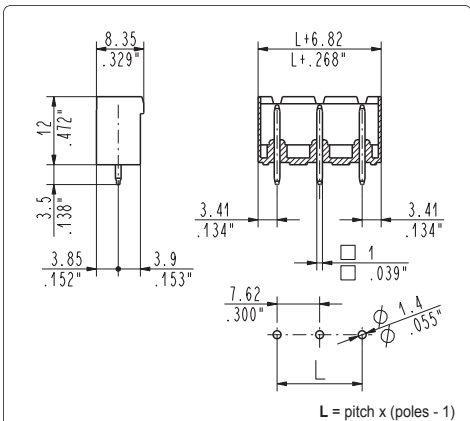
CIM_0P2 straight, polarized male

10 mm / .394" pitch			
Poles	Code	Pcs/pack. W [kg]*	Pcs/Ind.** W [kg]*
02	CIM020P2	400 0,46	2000 2,32
03	CIM030P2	250 0,44	1500 2,62
04	CIM040P2	175 0,41	1000 2,32
05	CIM050P2	125 0,36	500 1,46
06	CIM060P2	100 0,35	500 1,74
07	CIM070P2	75 0,30	500 2,04
08	CIM080P2	75 0,35	500 2,32
09	CIM090P2	50 0,26	500 2,62
10	CIM100P2	50 0,29	250 1,46
11	CIM110P2	50 0,32	250 1,60
12	CIM120P2	50 0,35	250 1,74
13	CIM130P2	50 0,38	250 1,88



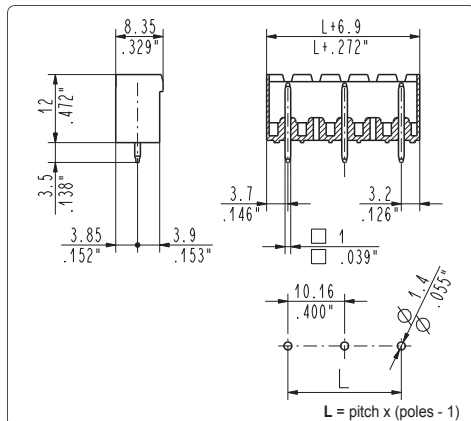
CIM_0P5 straight, polarized male

5.08 mm / .200" pitch			
Poles	Code	Pcs/pack. W [kg]*	Pcs/Ind.** W [kg]*
02	CIM020P5	500 0,45	3000 2,70
03	CIM030P5	400 0,54	2000 2,70
04	CIM040P5	300 0,54	1500 2,70
05	CIM050P5	250 0,56	1500 3,38
06	CIM060P5	200 0,54	1000 2,70
07	CIM070P5	175 0,55	1000 3,15
08	CIM080P5	150 0,54	1000 3,60
09	CIM090P5	125 0,51	1000 4,05
10	CIM100P5	100 0,45	500 2,25
11	CIM110P5	100 0,50	500 2,48
12	CIM120P5	75 0,41	500 2,70
13	CIM130P5	75 0,44	500 2,93
14	CIM140P5	75 0,47	500 3,15
15	CIM150P5	75 0,51	500 3,38
16	CIM160P5	75 0,54	500 3,60
17	CIM170P5	50 0,38	500 3,83
18	CIM180P5	50 0,41	250 2,03
19	CIM190P5	50 0,43	250 2,14
20	CIM200P5	50 0,45	250 2,25
21	CIM210P5	50 0,47	250 2,36
22	CIM220P5	50 0,50	250 2,48
23	CIM230P5	50 0,52	250 2,59
24	CIM240P5	50 0,54	250 2,70
25	CIM250P5	50 0,56	250 2,81



CIM_0P7 straight, polarized male

7.62 mm / .300" pitch			
Poles	Code	Pcs/pack. W [kg]*	Pcs/Ind.** W [kg]*
02	CIM020P7	400 0,40	2000 2,00
03	CIM030P7	250 0,38	1500 2,25
04	CIM040P7	200 0,40	1000 2,00
05	CIM050P7	150 0,38	1000 2,50
06	CIM060P7	125 0,38	750 2,25
07	CIM070P7	100 0,35	500 1,75
08	CIM080P7	75 0,30	500 2,00
09	CIM090P7	75 0,34	500 2,25
10	CIM100P7	75 0,38	250 1,25
11	CIM110P7	50 0,28	250 1,38
12	CIM120P7	50 0,30	250 1,50

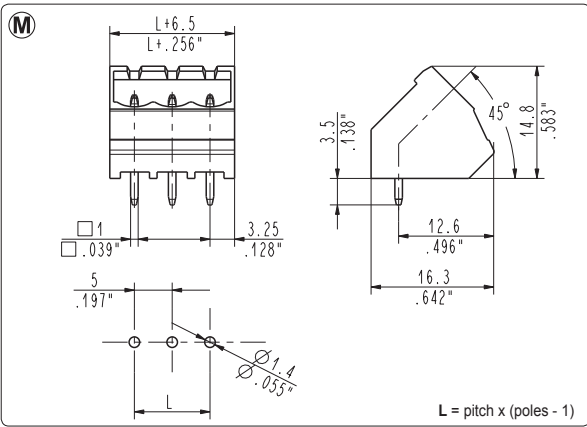


CIM_0P6 straight, polarized male

10.16 mm / .400" pitch			
Poles	Code	Pcs/pack. W [kg]*	Pcs/Ind.** W [kg]*
02	CIM020P6	400 0,46	2000 2,32
03	CIM030P6	250 0,44	1500 2,62
04	CIM040P6	175 0,41	1000 2,32
05	CIM050P6	125 0,36	500 1,46
06	CIM060P6	100 0,35	500 1,74
07	CIM070P6	75 0,30	500 2,04
08	CIM080P6	75 0,35	500 2,32
09	CIM090P6	50 0,26	500 2,62
10	CIM100P6	50 0,29	250 1,46
11	CIM110P6	50 0,32	250 1,60
12	CIM120P6	50 0,35	250 1,74
13	CIM130P6	50 0,38	250 1,88

*W [kg]: approximate weight per box in kg

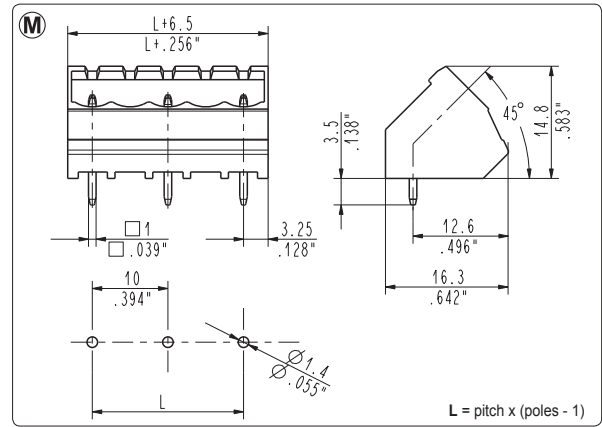
**Industrial packaging: add "-00000E" at standard code



CIM_4P1 45°, polarized male

5 mm / .197" pitch

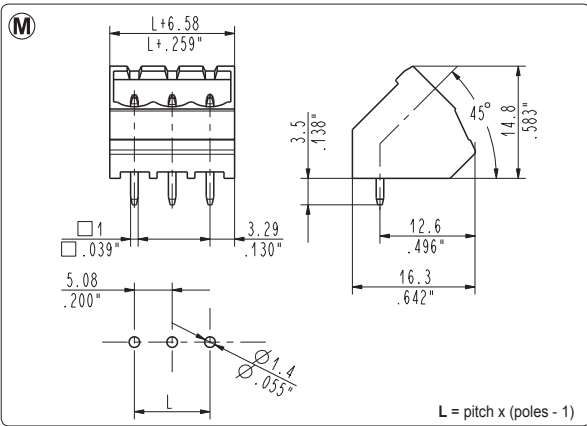
Poles	Code	Pcs/pack.	W [kg]*	Pcs/Ind.**	W [kg]*
02	CIM024P1	400	0,36	1500	1,35
03	CIM034P1	250	0,34	1000	1,35
04	CIM044P1	175	0,32	750	1,35
05	CIM054P1	125	0,28	500	1,13
06	CIM064P1	100	0,27	500	1,35
07	CIM074P1	75	0,24	500	1,58
08	CIM084P1	75	0,27	500	1,80
09	CIM094P1	50	0,20	250	1,01
10	CIM104P1	50	0,23	250	1,13
11	CIM114P1	50	0,25	250	1,24
12	CIM124P1	50	0,27	250	1,35
13	CIM134P1	50	0,29	250	1,46
14	CIM144P1	50	0,32	250	1,58
15	CIM154P1	50	0,34	250	1,69
16	CIM164P1	50	0,36	250	1,80
17	CIM174P1	50	0,38	250	1,91
18	CIM184P1	50	0,41	125	1,01
19	CIM194P1	30	0,26	125	1,07
20	CIM204P1	30	0,27	125	1,13
21	CIM214P1	30	0,28	125	1,18
22	CIM224P1	30	0,30	125	1,24
23	CIM234P1	30	0,31	125	1,29
24	CIM244P1	30	0,32	125	1,35
25	CIM254P1	30	0,34	125	1,41



CIM_4P2 45°, polarized male

10 mm / .394" pitch

Poles	Code	Pcs/pack.	W [kg]*	Pcs/Ind.**	W [kg]*
02	CIM024P2	250	0,29	1000	1,16
03	CIM034P2	125	0,22	750	1,31
04	CIM044P2	75	0,17	500	1,16
05	CIM054P2	50	0,15	250	0,73
06	CIM064P2	50	0,17	250	0,87
07	CIM074P2	50	0,20	250	1,02
08	CIM084P2	50	0,23	250	1,16
09	CIM094P2	50	0,26	250	1,31
10	CIM104P2	30	0,17	125	0,73
11	CIM114P2	30	0,19	125	0,80
12	CIM124P2	30	0,21	125	0,87
13	CIM134P2	30	0,23	125	0,94

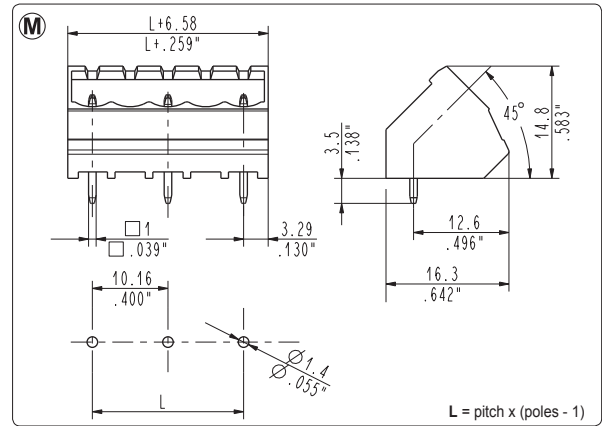


CIM_4P5 45°, polarized male

5.08 mm / .200" pitch

Poles	Code	Pcs/pack.	W [kg]*	Pcs/Ind.**	W [kg]*
02	CIM024P5	400	0,36	1500	1,35
03	CIM034P5	250	0,34	1000	1,35
04	CIM044P5	175	0,32	750	1,35
05	CIM054P5	125	0,28	500	1,13
06	CIM064P5	100	0,27	500	1,35
07	CIM074P5	75	0,24	500	1,58
08	CIM084P5	75	0,27	500	1,80

Max 8 poles can be combined

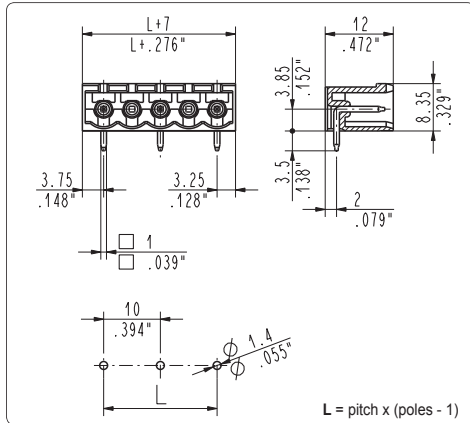
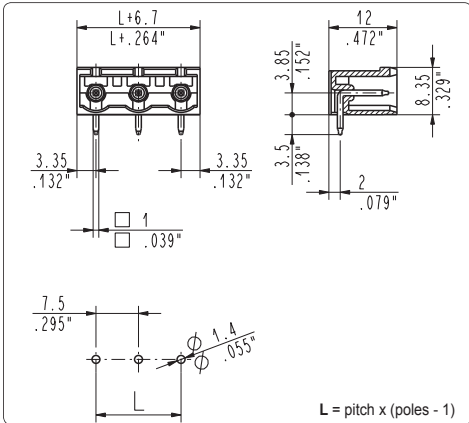
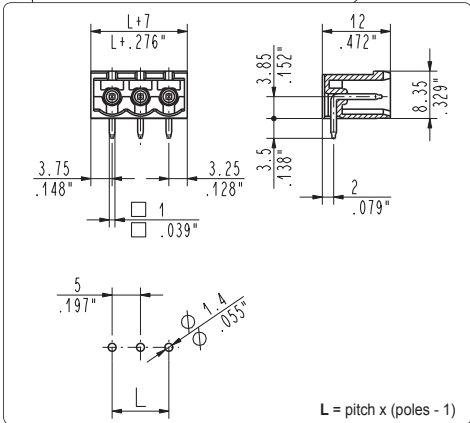


CIM_4P6 45°, polarized male

10.16 mm / .400" pitch

Poles	Code	Pcs/pack.	W [kg]*	Pcs/Ind.**	W [kg]*
02	CIM024P6	250	0,29	1000	1,16
03	CIM034P6	125	0,22	750	1,31
04	CIM044P6	75	0,17	500	1,16

Max 4 poles can be combined



CIM_9P1 90°, polarized male

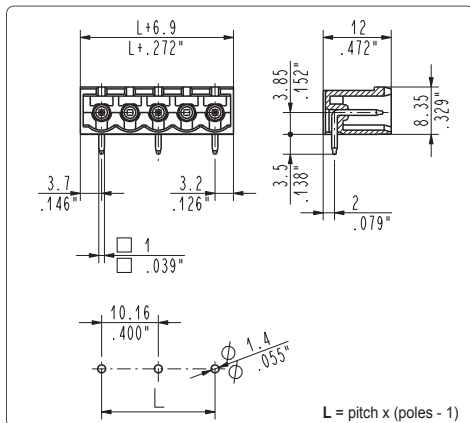
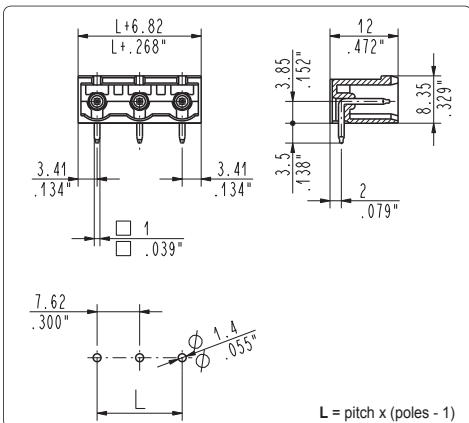
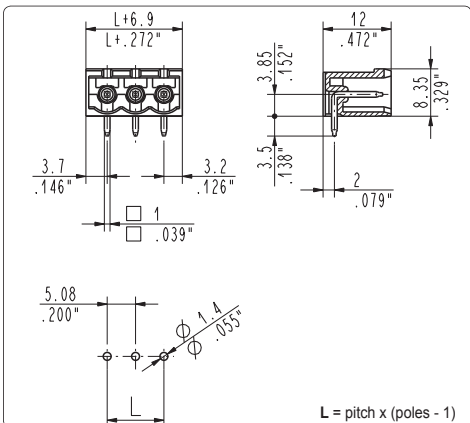
CIM_9P3 90°, polarized male

CIM_9P2 90°, polarized male

5 mm / .197" pitch					
Poles	Code	Pcs/pack.	W [kg]*	Pcs/Ind.**	W [kg]*
02	CIM029P1	500	0,46	3000	2,76
03	CIM039P1	400	0,55	2000	2,76
04	CIM049P1	300	0,55	1500	2,76
05	CIM059P1	250	0,58	1500	3,45
06	CIM069P1	200	0,55	1000	2,76
07	CIM079P1	175	0,56	1000	3,22
08	CIM089P1	150	0,55	1000	3,68
09	CIM099P1	125	0,52	1000	4,14
10	CIM109P1	100	0,46	500	2,30
11	CIM119P1	100	0,51	500	2,53
12	CIM129P1	75	0,41	500	2,76
13	CIM139P1	75	0,45	500	2,99
14	CIM149P1	75	0,48	500	3,22
15	CIM159P1	75	0,52	500	3,45
16	CIM169P1	75	0,55	500	3,68
17	CIM179P1	50	0,39	500	3,91
18	CIM189P1	50	0,41	250	2,07
19	CIM199P1	50	0,44	250	2,19
20	CIM209P1	50	0,46	250	2,30
21	CIM219P1	50	0,48	250	2,42
22	CIM229P1	50	0,51	250	2,53
23	CIM239P1	50	0,53	250	2,65
24	CIM249P1	50	0,55	250	2,76
25	CIM259P1	50	0,58	250	2,88

7.5 mm / .295" pitch					
Poles	Code	Pcs/pack.	W [kg]*	Pcs/Ind.**	W [kg]*
02	CIM029P3	400	0,41	2000	2,04
03	CIM039P3	250	0,38	1500	2,30
04	CIM049P3	200	0,41	1000	2,04
05	CIM059P3	150	0,38	1000	2,55
06	CIM069P3	125	0,38	750	2,30
07	CIM079P3	100	0,36	500	1,79
08	CIM089P3	75	0,31	500	2,04
09	CIM099P3	75	0,34	500	2,30
10	CIM109P3	75	0,38	250	1,28
11	CIM119P3	50	0,28	250	1,40
12	CIM129P3	50	0,31	250	1,53

10 mm / .394" pitch					
Poles	Code	Pcs/pack.	W [kg]*	Pcs/Ind.**	W [kg]*
02	CIM029P2	400	0,47	2000	2,36
03	CIM039P2	250	0,44	1500	2,66
04	CIM049P2	175	0,41	1000	2,36
05	CIM059P2	125	0,37	500	1,48
06	CIM069P2	100	0,35	500	1,78
07	CIM079P2	75	0,31	500	2,06
08	CIM089P2	75	0,35	500	2,36
09	CIM099P2	50	0,27	500	2,66
10	CIM109P2	50	0,30	250	1,48
11	CIM119P2	50	0,32	250	1,62
12	CIM129P2	50	0,35	250	1,78
13	CIM139P2	50	0,38	250	1,92



CIM_9P5 90°, polarized male

CIM_9P7 90°, polarized male

CIM_9P6 90°, polarized male

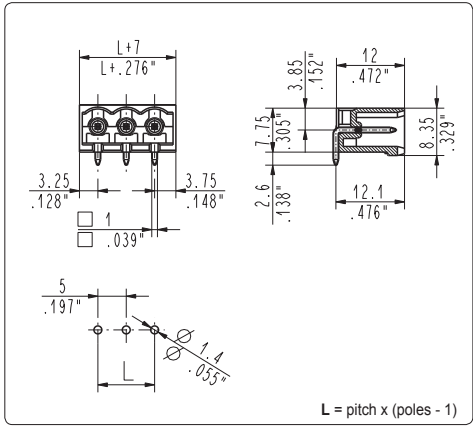
5.08 mm / .200" pitch					
Poles	Code	Pcs/pack.	W [kg]*	Pcs/Ind.**	W [kg]*
02	CIM029P5	500	0,46	3000	2,76
03	CIM039P5	400	0,55	2000	2,76
04	CIM049P5	300	0,55	1500	2,76
05	CIM059P5	250	0,58	1500	3,45
06	CIM069P5	200	0,55	1000	2,76
07	CIM079P5	175	0,56	1000	3,22
08	CIM089P5	150	0,55	1000	3,68
09	CIM099P5	125	0,52	1000	4,14
10	CIM109P5	100	0,46	500	2,30
11	CIM119P5	100	0,51	500	2,53
12	CIM129P5	75	0,41	500	2,76
13	CIM139P5	75	0,45	500	2,99
14	CIM149P5	75	0,48	500	3,22
15	CIM159P5	75	0,52	500	3,45
16	CIM169P5	75	0,55	500	3,68
17	CIM179P5	50	0,39	500	3,91
18	CIM189P5	50	0,41	250	2,07
19	CIM199P5	50	0,44	250	2,19
20	CIM209P5	50	0,46	250	2,30
21	CIM219P5	50	0,48	250	2,42
22	CIM229P5	50	0,51	250	2,53
23	CIM239P5	50	0,53	250	2,65
24	CIM249P5	50	0,55	250	2,76
25	CIM259P5	50	0,58	250	2,88

7.62 mm / .300" pitch					
Poles	Code	Pcs/pack.	W [kg]*	Pcs/Ind.**	W [kg]*
02	CIM029P7	400	0,41	2000	2,04
03	CIM039P7	250	0,38	1500	2,30
04	CIM049P7	200	0,41	1000	2,04
05	CIM059P7	150	0,38	1000	2,55
06	CIM069P7	125	0,38	750	2,30
07	CIM079P7	100	0,36	500	1,79
08	CIM089P7	75	0,31	500	2,04
09	CIM099P7	75	0,34	500	2,30
10	CIM109P7	75	0,38	250	1,28
11	CIM119P7	50	0,28	250	1,40
12	CIM129P7	50	0,31	250	1,53

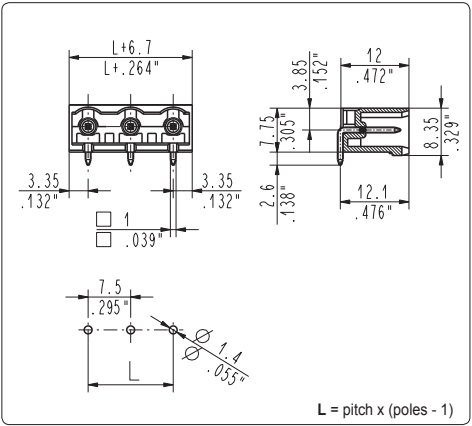
10.16 mm / .400" pitch					
Poles	Code	Pcs/pack.	W [kg]*	Pcs/Ind.**	W [kg]*
02	CIM029P6	400	0,47	2000	2,36
03	CIM039P6	250	0,44	1500	2,66
04	CIM049P6	175	0,41	1000	2,36
05	CIM059P6	125	0,37	500	1,48
06	CIM069P6	100	0,35	500	1,78
07	CIM079P6	75	0,31	500	2,06
08	CIM089P6	75	0,35	500	2,36
09	CIM099P6	50	0,27	500	2,66
10	CIM109P6	50	0,30	250	1,48
11	CIM119P6	50	0,32	250	1,62
12	CIM129P6	50	0,35	250	1,78
13	CIM139P6	50	0,38	250	1,92

*W [kg]: approximate weight per box in kg

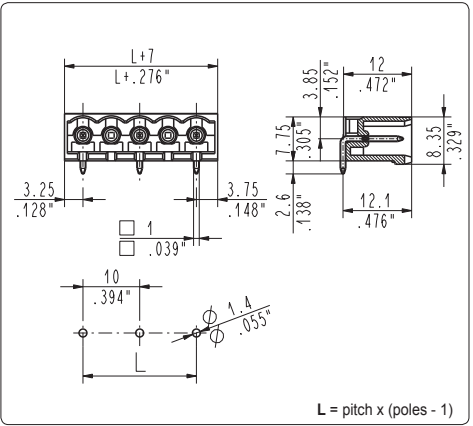
**Industrial packaging: add "-00000E" at standard code



L = pitch x (poles - 1)



L = pitch x (poles - 1)



L = pitch x (poles - 1)

CIM_5P1 270°, polarized male

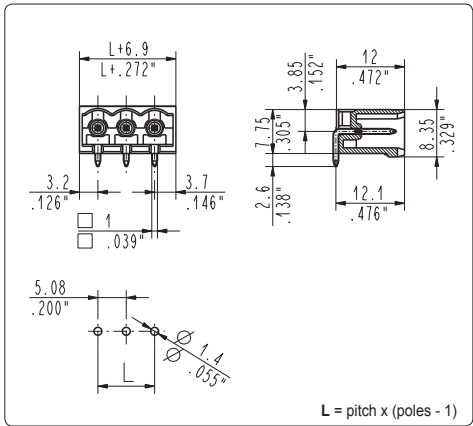
5 mm / .197" pitch		Poles	Code	Pcs/pack.	W [kg]*	Pcs/Ind.**	W [kg]*
02	CIM025P1	500	0,46	3000	2,76		
03	CIM035P1	400	0,55	2000	2,76		
04	CIM045P1	300	0,55	1500	2,76		
05	CIM055P1	250	0,58	1500	3,45		
06	CIM065P1	200	0,55	1000	2,76		
07	CIM075P1	175	0,56	1000	3,22		
08	CIM085P1	150	0,55	1000	3,68		
09	CIM095P1	125	0,52	1000	4,14		
10	CIM105P1	100	0,46	500	2,30		
11	CIM115P1	100	0,51	500	2,53		
12	CIM125P1	75	0,41	500	2,76		
13	CIM135P1	75	0,45	500	2,99		
14	CIM145P1	75	0,48	500	3,22		
15	CIM155P1	75	0,52	500	3,45		
16	CIM165P1	75	0,55	500	3,68		
17	CIM175P1	50	0,39	500	3,91		
18	CIM185P1	50	0,41	250	2,07		
19	CIM195P1	50	0,44	250	2,19		
20	CIM205P1	50	0,46	250	2,30		
21	CIM215P1	50	0,48	250	2,42		
22	CIM225P1	50	0,51	250	2,53		
23	CIM235P1	50	0,53	250	2,65		
24	CIM245P1	50	0,55	250	2,76		
25	CIM255P1	50	0,58	250	2,88		

CIM_5P3 270°, polarized male

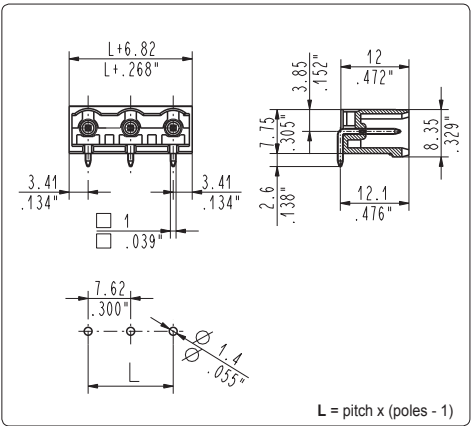
7.5 mm / .295" pitch		Poles	Code	Pcs/pack.	W [kg]*	Pcs/Ind.**	W [kg]*
02	CIM025P3	400	0,41	2000	2,04		
03	CIM035P3	250	0,38	1500	2,30		
04	CIM045P3	200	0,41	1000	2,04		
05	CIM055P3	150	0,38	1000	2,55		
06	CIM065P3	125	0,38	750	2,30		
07	CIM075P3	100	0,36	500	1,79		
08	CIM085P3	75	0,31	500	2,04		
09	CIM095P3	75	0,34	500	2,30		
10	CIM105P3	75	0,38	250	1,28		
11	CIM115P3	50	0,28	250	1,40		
12	CIM125P3	50	0,31	250	1,53		

CIM_5P2 270°, polarized male

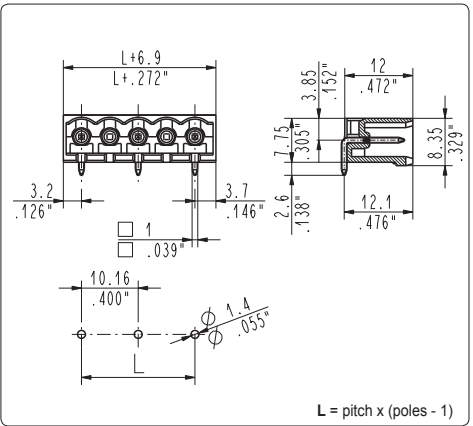
10 mm / .394" pitch		Poles	Code	Pcs/pack.	W [kg]*	Pcs/Ind.**	W [kg]*
02	CIM025P2	400	0,47	2000	2,36		
03	CIM035P2	250	0,44	1500	2,66		
04	CIM045P2	175	0,41	1000	2,36		
05	CIM055P2	125	0,37	500	1,48		
06	CIM065P2	100	0,35	500	1,78		
07	CIM075P2	75	0,31	500	2,06		
08	CIM085P2	75	0,35	500	2,36		
09	CIM095P2	50	0,27	500	2,66		
10	CIM105P2	50	0,30	250	1,48		
11	CIM115P2	50	0,32	250	1,62		
12	CIM125P2	50	0,35	250	1,78		
13	CIM135P2	50	0,38	250	1,92		



L = pitch x (poles - 1)



L = pitch x (poles - 1)



L = pitch x (poles - 1)

CIM_5P5 270°, polarized male

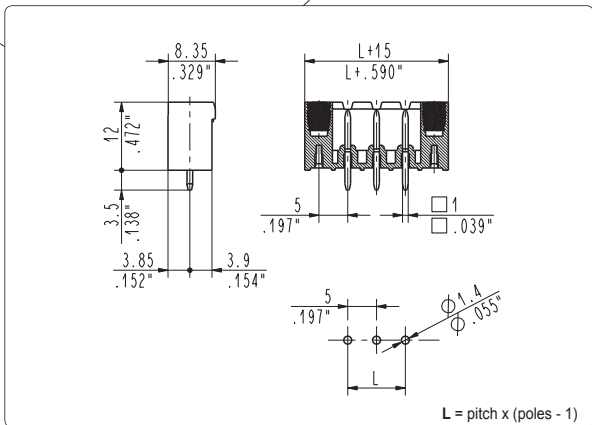
5.08 mm / .200" pitch		Poles	Code	Pcs/pack.	W [kg]*	Pcs/Ind.**	W [kg]*
02	CIM025P5	500	0,46	3000	2,76		
03	CIM035P5	400	0,55	2000	2,76		
04	CIM045P5	300	0,55	1500	2,76		
05	CIM055P5	250	0,58	1500	3,45		
06	CIM065P5	200	0,55	1000	2,76		
07	CIM075P5	175	0,56	1000	3,22		
08	CIM085P5	150	0,55	1000	3,68		
09	CIM095P5	125	0,52	1000	4,14		
10	CIM105P5	100	0,46	500	2,30		
11	CIM115P5	100	0,51	500	2,53		
12	CIM125P5	75	0,41	500	2,76		
13	CIM135P5	75	0,45	500	2,99		
14	CIM145P5	75	0,48	500	3,22		
15	CIM155P5	75	0,52	500	3,45		
16	CIM165P5	75	0,55	500	3,68		
17	CIM175P5	50	0,39	500	3,91		
18	CIM185P5	50	0,41	250	2,07		
19	CIM195P5	50	0,44	250	2,19		
20	CIM205P5	50	0,46	250	2,30		
21	CIM215P5	50	0,48	250	2,42		
22	CIM225P5	50	0,51	250	2,53		
23	CIM235P5	50	0,53	250	2,65		
24	CIM245P5	50	0,55	250	2,76		
25	CIM255P5	50	0,58	250	2,88		

CIM_5P7 270°, polarized male

7.62 mm / .300" pitch		Poles	Code	Pcs/pack.	W [kg]*	Pcs/Ind.**	W [kg]*
02	CIM025P7	400	0,41	2000	2,04		
03	CIM035P7	250	0,38	1500	2,30		
04	CIM045P7	200	0,41	1000	2,04		
05	CIM055P7	150	0,38	1000	2,55		
06	CIM065P7	125	0,38	750	2,30		
07	CIM075P7	100	0,36	500	1,79		
08	CIM085P7	75	0,31	500	2,04		
09	CIM095P7	75	0,34	500	2,30		
10	CIM105P7	75	0,38	250	1,28		
11	CIM115P7	50	0,28	250	1,40		
12	CIM125P7	50	0,31	250	1,53		

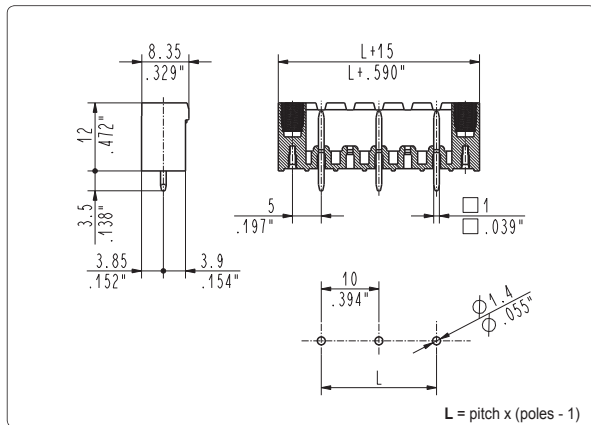
CIM_5P6 270°, polarized male

10.16 mm / .400" pitch		Poles	Code	Pcs/pack.	W [kg]*	Pcs/Ind.**	W [kg]*
02	CIM025P6	400	0,47	2000	2,36		
03	CIM035P6	250	0,44	1500	2,66		
04	CIM045P6	175	0,41	1000	2,36		
05	CIM055P6	125	0,37	500	1,48		
06	CIM065P6	100	0,35	500	1,78		
07	CIM075P6	75	0,31	500	2,06		
08	CIM085P6	75	0,35	500	2,36		
09	CIM095P6	50	0,27	500	2,66		
10	CIM105P6	50	0,30	250	1,48		
11	CIM115P6	50	0,32	250	1,62		
12	CIM125P6	50	0,35	250	1,78		
13	CIM135P6	50	0,38	250	1,92		



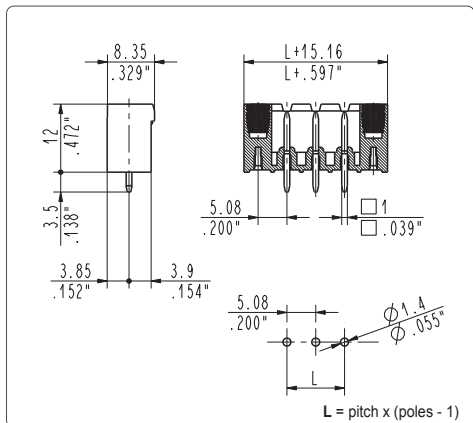
CIM_0V1 straight, locking screw flanges male

5 mm / .197" pitch					
Poles	Code	Pcs/pack.	W [kg]*	Pcs/Ind.**	W [kg]*
02	CIM020V1	300	0,51	1000	1,70
03	CIM030V1	250	0,54	750	1,61
04	CIM040V1	200	0,52	500	1,30
05	CIM050V1	175	0,53	500	1,53
06	CIM060V1	150	0,53	500	1,75
07	CIM070V1	125	0,49	250	0,99
08	CIM080V1	100	0,44	250	1,10
09	CIM090V1	100	0,49	250	1,21
10	CIM100V1	75	0,40	250	1,33
11	CIM110V1	75	0,43	250	1,44
12	CIM120V1	75	0,47	250	1,55
13	CIM130V1	75	0,50	250	1,66
14	CIM140V1	75	0,53	250	1,78
15	CIM150V1	50	0,38	250	1,89
16	CIM160V1	50	0,40	250	2,00
17	CIM170V1	50	0,42	250	2,11
18	CIM180V1	50	0,45	125	1,11
19	CIM190V1	50	0,47	125	1,17
20	CIM200V1	50	0,49	125	1,23
21	CIM210V1	50	0,51	125	1,28
22	CIM220V1	50	0,54	125	1,34
23	CIM230V1	50	0,56	125	1,39
24	CIM240V1	50	0,58	125	1,45



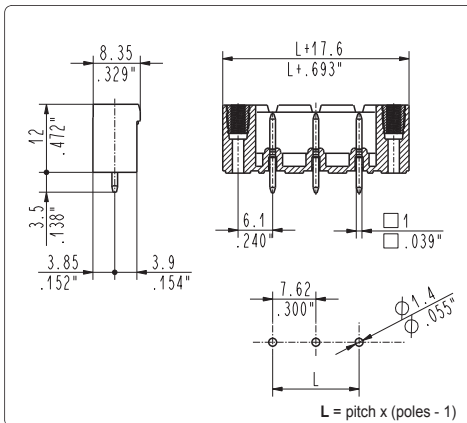
CIM_0V2 straight, locking screw flanges male

10 mm / .394" pitch					
Poles	Code	Pcs/pack.	W [kg]*	Pcs/Ind.**	W [kg]*
02	CIM020V2	250	0,49	750	1,47
03	CIM030V2	175	0,44	500	1,27
04	CIM040V2	125	0,39	250	0,78
05	CIM050V2	100	0,37	250	0,93
06	CIM060V2	75	0,32	250	1,07
07	CIM070V2	75	0,36	250	1,22
08	CIM080V2	50	0,27	250	1,36
09	CIM090V2	50	0,30	250	1,51
10	CIM100V2	50	0,33	125	0,83
11	CIM110V2	50	0,36	125	0,90
12	CIM120V2	50	0,39	125	0,97



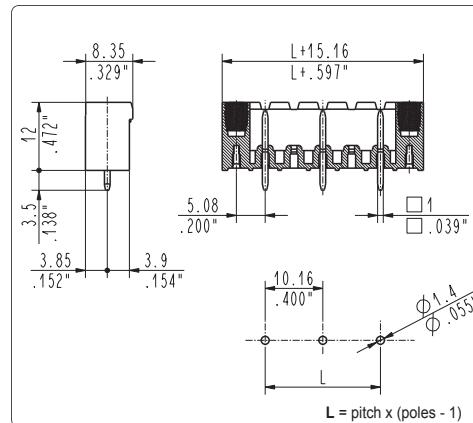
CIM_0V5 straight, locking screw flanges male

5.08 mm / .200" pitch					
Poles	Code	Pcs/pack.	W [kg]*	Pcs/Ind.**	W [kg]*
02	CIM020V5	300	0,51	1000	1,70
03	CIM030V5	250	0,54	750	1,61
04	CIM040V5	200	0,52	500	1,30
05	CIM050V5	175	0,53	500	1,53
06	CIM060V5	150	0,53	500	1,75
07	CIM070V5	125	0,49	250	0,99
08	CIM080V5	100	0,44	250	1,10
09	CIM090V5	100	0,49	250	1,21
10	CIM100V5	75	0,40	250	1,33
11	CIM110V5	75	0,43	250	1,44
12	CIM120V5	75	0,47	250	1,55
13	CIM130V5	75	0,50	250	1,66
14	CIM140V5	75	0,53	250	1,78
15	CIM150V5	50	0,38	250	1,89
16	CIM160V5	50	0,40	250	2,00
17	CIM170V5	50	0,42	250	2,11
18	CIM180V5	50	0,45	125	1,11
19	CIM190V5	50	0,47	125	1,17
20	CIM200V5	50	0,49	125	1,23
21	CIM210V5	50	0,51	125	1,28
22	CIM220V5	50	0,54	125	1,34
23	CIM230V5	50	0,56	125	1,39
24	CIM240V5	50	0,58	125	1,45



CIM_0V7 straight, locking screw flanges male

7.62 mm / .300" pitch					
Poles	Code	Pcs/pack.	W [kg]*	Pcs/Ind.**	W [kg]*
02	CIM020V7	250	0,45	750	1,35
03	CIM030V7	175	0,40	500	1,15
04	CIM040V7	125	0,35	250	0,70
05	CIM050V7	100	0,33	250	0,83
06	CIM060V7	75	0,29	250	0,95
07	CIM070V7	75	0,32	250	1,08
08	CIM080V7	50	0,24	250	1,20
09	CIM090V7	50	0,27	250	1,33
10	CIM100V7	50	0,29	125	0,73
11	CIM110V7	50	0,32	125	0,79
12	CIM120V7	50	0,34	125	0,85

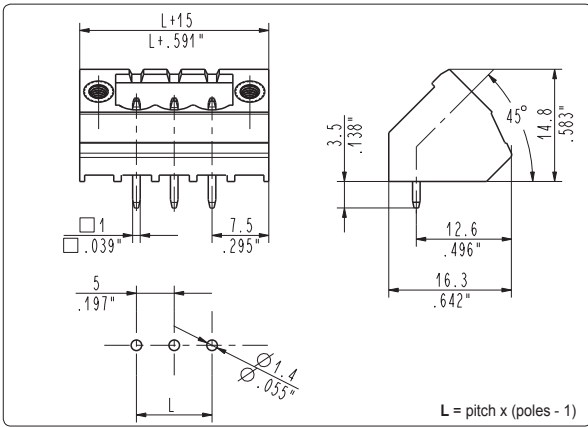


CIM_0V6 straight, locking screw flanges male

10.16 mm / .400" pitch					
Poles	Code	Pcs/pack.	W [kg]*	Pcs/Ind.**	W [kg]*
02	CIM020V6	250	0,49	750	1,47
03	CIM030V6	175	0,44	500	1,27
04	CIM040V6	125	0,39	250	0,78
05	CIM050V6	100	0,37	250	0,93
06	CIM060V6	75	0,32	250	1,07
07	CIM070V6	75	0,36	250	1,22
08	CIM080V6	50	0,27	250	1,36
09	CIM090V6	50	0,30	250	1,51
10	CIM100V6	50	0,33	125	0,83
11	CIM110V6	50	0,36	125	0,90
12	CIM120V6	50	0,39	125	0,97

*W [kg]: approximate weight per box in kg

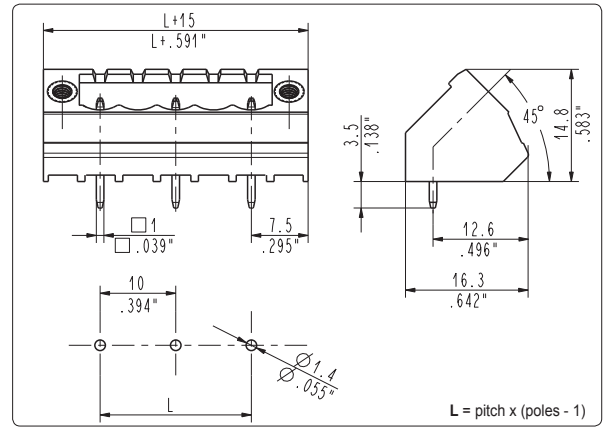
**industrial packaging: add "-00000E" at standard code



CIM_4V1 45°, locking screw flanges male

5 mm / .197" pitch

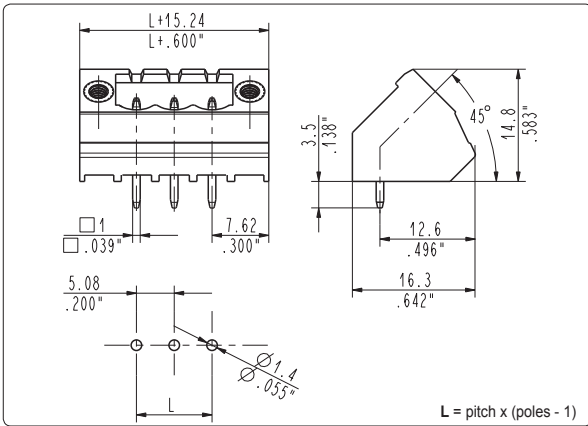
Poles	Code	Pcs/pack.	W [kg]*	Pcs/Ind.**	W [kg]*
02	CIM024V1	175	0,30	1000	1,70
03	CIM034V1	125	0,27	750	1,61
04	CIM044V1	100	0,26	750	1,95
05	CIM054V1	75	0,23	500	1,53
06	CIM064V1	75	0,26	500	1,75
07	CIM074V1	50	0,20	500	1,98
08	CIM084V1	50	0,22	500	2,20
09	CIM094V1	50	0,24	250	1,21
10	CIM104V1	50	0,27	250	1,33
11	CIM114V1	50	0,29	250	1,44
12	CIM124V1	50	0,31	250	1,55
13	CIM134V1	50	0,33	250	1,66
14	CIM144V1	50	0,36	250	1,78
15	CIM154V1	50	0,38	250	1,89
16	CIM164V1	50	0,40	250	2,00
17	CIM174V1	30	0,21	125	1,06
18	CIM184V1	30	0,22	125	1,11
19	CIM194V1	30	0,23	125	1,17
20	CIM204V1	30	0,25	125	1,23
21	CIM214V1	30	0,26	125	1,28
22	CIM224V1	30	0,27	125	1,34
23	CIM234V1	30	0,28	125	1,39



CIM_4V2 45°, locking screw flanges male

10 mm / .394" pitch

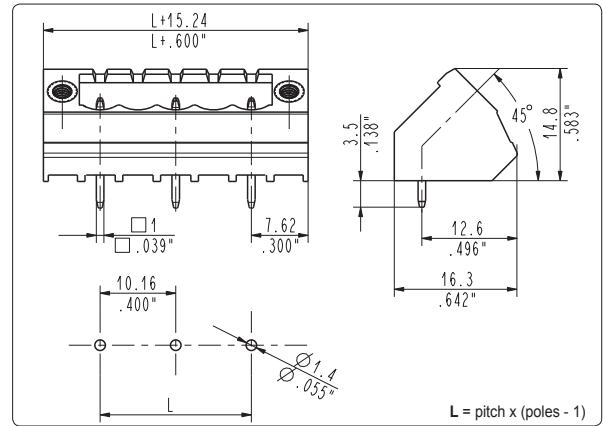
Poles	Code	Pcs/pack.	W [kg]*	Pcs/Ind.**	W [kg]*
02	CIM024V2	125	0,25	1000	1,96
03	CIM034V2	75	0,19	500	1,27
04	CIM044V2	50	0,16	250	0,78
05	CIM054V2	50	0,19	250	0,93
06	CIM064V2	50	0,21	250	1,07
07	CIM074V2	50	0,24	250	1,22
08	CIM084V2	50	0,27	250	1,36
09	CIM094V2	30	0,18	250	1,51
10	CIM104V2	30	0,20	125	0,83
11	CIM114V2	30	0,22	125	0,90
12	CIM124V2	30	0,23	125	0,97



CIM_4V5 45°, locking screw flanges male

5.08 mm / .200" pitch

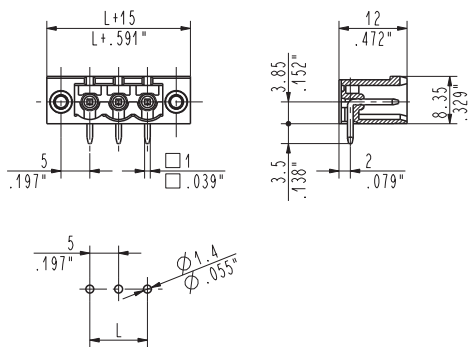
Poles	Code	Pcs/pack.	W [kg]*	Pcs/Ind.**	W [kg]*
02	CIM024V5	175	0,30	1000	1,70
03	CIM034V5	125	0,27	750	1,61
04	CIM044V5	100	0,26	750	1,95
05	CIM054V5	75	0,23	500	1,53
06	CIM064V5	75	0,26	500	1,75
07	CIM074V5	50	0,20	500	1,98
08	CIM084V5	50	0,22	500	2,20



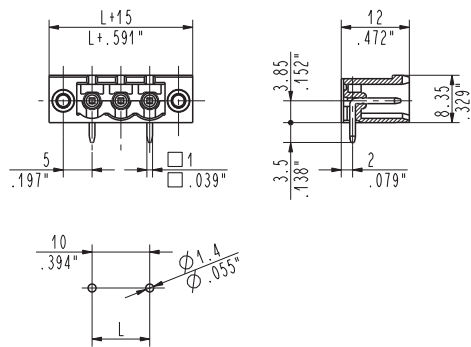
CIM_4V6 45°, locking screw flanges male

10.16 mm / .400" pitch

Poles	Code	Pcs/pack.	W [kg]*	Pcs/Ind.**	W [kg]*
02	CIM024V6	125	0,25	1000	1,96
03	CIM034V6	75	0,19	500	1,27
04	CIM044V6	50	0,16	250	0,78



L = pitch x (poles - 1)



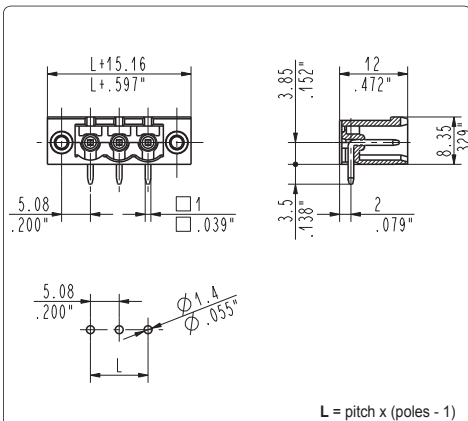
L = pitch x (poles - 1)

CIM_9V1 90°, locking screw flanges male

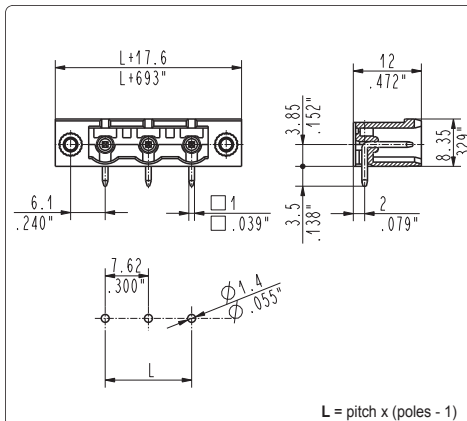
5 mm / .197" pitch					
Poles	Code	Pcs/pack.	W [kg]*	Pcs/Ind.**	W [kg]*
02	CIM029V1	300	0,51	1000	1,70
03	CIM039V1	250	0,54	750	1,61
04	CIM049V1	200	0,52	500	1,30
05	CIM059V1	175	0,53	500	1,53
06	CIM069V1	150	0,53	500	1,75
07	CIM079V1	125	0,49	250	0,99
08	CIM089V1	100	0,44	250	1,10
09	CIM099V1	100	0,49	250	1,21
10	CIM109V1	75	0,40	250	1,33
11	CIM119V1	75	0,43	250	1,44
12	CIM129V1	75	0,47	250	1,55
13	CIM139V1	75	0,50	250	1,66
14	CIM149V1	75	0,53	250	1,78
15	CIM159V1	50	0,38	250	1,89
16	CIM169V1	50	0,40	250	2,00
17	CIM179V1	50	0,42	250	2,11
18	CIM189V1	50	0,45	125	1,11
19	CIM199V1	50	0,47	125	1,17
20	CIM209V1	50	0,49	125	1,23
21	CIM219V1	50	0,51	125	1,28
22	CIM229V1	50	0,54	125	1,34
23	CIM239V1	50	0,56	125	1,39
24	CIM249V1	50	0,58	125	1,45

CIM_9V2 90°, locking screw flanges male

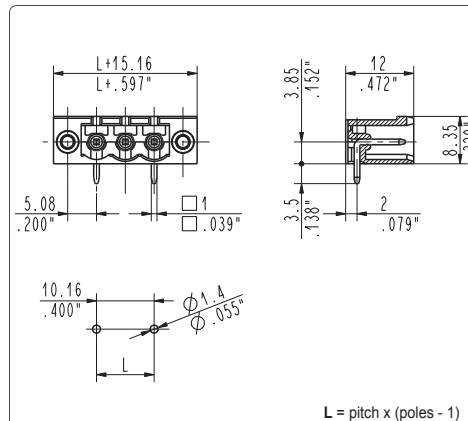
10 mm / .394" pitch					
Poles	Code	Pcs/pack.	W [kg]*	Pcs/Ind.**	W [kg]*
02	CIM029V2	250	0,49	750	1,47
03	CIM039V2	175	0,44	500	1,27
04	CIM049V2	125	0,39	250	0,78
05	CIM059V2	100	0,37	250	0,93
06	CIM069V2	75	0,32	250	1,07
07	CIM079V2	75	0,36	250	1,22
08	CIM089V2	50	0,27	250	1,36
09	CIM099V2	50	0,30	250	1,51
10	CIM109V2	50	0,33	125	0,83
11	CIM119V2	50	0,36	125	0,90
12	CIM129V2	50	0,39	125	0,97



L = pitch x (poles - 1)



L = pitch x (poles - 1)



L = pitch x (poles - 1)

CIM_9V5 90°, locking screw flanges male

5.08 mm / .200" pitch					
Poles	Code	Pcs/pack.	W [kg]*	Pcs/Ind.**	W [kg]*
02	CIM029V5	300	0,51	1000	1,70
03	CIM039V5	250	0,54	750	1,61
04	CIM049V5	200	0,52	500	1,30
05	CIM059V5	175	0,53	500	1,53
06	CIM069V5	150	0,53	500	1,75
07	CIM079V5	125	0,49	250	0,99
08	CIM089V5	100	0,44	250	1,10
09	CIM099V5	100	0,49	250	1,21
10	CIM109V5	75	0,40	250	1,33
11	CIM119V5	75	0,43	250	1,44
12	CIM129V5	75	0,47	250	1,55
13	CIM139V5	75	0,50	250	1,66
14	CIM149V5	75	0,53	250	1,78
15	CIM159V5	50	0,38	250	1,89
16	CIM169V5	50	0,40	250	2,00
17	CIM179V5	50	0,42	250	2,11
18	CIM189V5	50	0,45	125	1,11
19	CIM199V5	50	0,47	125	1,17
20	CIM209V5	50	0,49	125	1,23
21	CIM219V5	50	0,51	125	1,28
22	CIM229V5	50	0,54	125	1,34
23	CIM239V5	50	0,56	125	1,39
24	CIM249V5	50	0,58	125	1,45

CIM_9V7 90°, locking screw flanges male

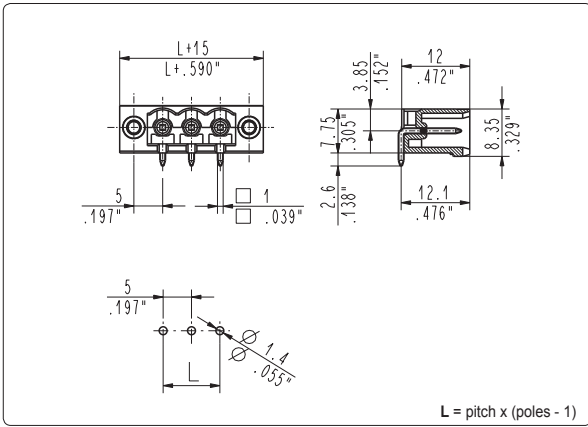
7.62 mm / .300" pitch					
Poles	Code	Pcs/pack.	W [kg]*	Pcs/Ind.**	W [kg]*
02	CIM029V7	250	0,45	750	1,35
03	CIM039V7	175	0,40	500	1,15
04	CIM049V7	125	0,35	250	0,70
05	CIM059V7	100	0,33	250	0,83
06	CIM069V7	75	0,29	250	0,95
07	CIM079V7	75	0,32	250	1,08
08	CIM089V7	50	0,24	250	1,20
09	CIM099V7	50	0,27	250	1,33
10	CIM109V7	50	0,29	125	0,73
11	CIM119V7	50	0,32	125	0,79
12	CIM129V7	50	0,34	125	0,85

CIM_9V6 90°, locking screw flanges male

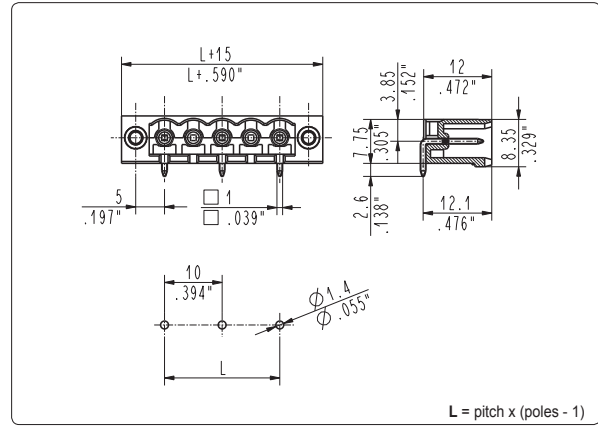
10.16 mm / .400" pitch					
Poles	Code	Pcs/pack.	W [kg]*	Pcs/Ind.**	W [kg]*
02	CIM029V6	250	0,49	750	1,47
03	CIM039V6	175	0,44	500	1,27
04	CIM049V6	125	0,39	250	0,78
05	CIM059V6	100	0,37	250	0,93
06	CIM069V6	75	0,32	250	1,07
07	CIM079V6	75	0,36	250	1,22
08	CIM089V6	50	0,27	250	1,36
09	CIM099V6	50	0,30	250	1,51
10	CIM109V6	50	0,33	125	0,83
11	CIM119V6	50	0,36	125	0,90
12	CIM129V6	50	0,39	125	0,97

*W [kg]: approximate weight per box in kg

**Industrial packaging: add "-00000E" at standard code



L = pitch x (poles - 1)



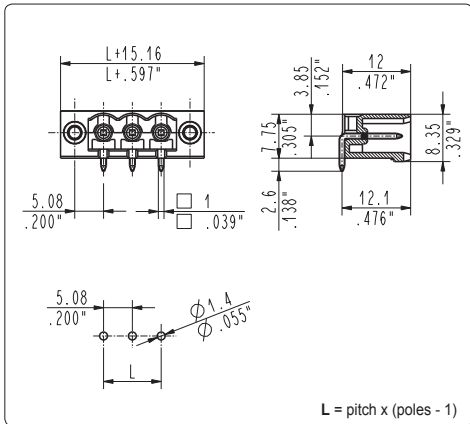
L = pitch x (poles - 1)

CIM_5V1 270°, locking screw flanges male

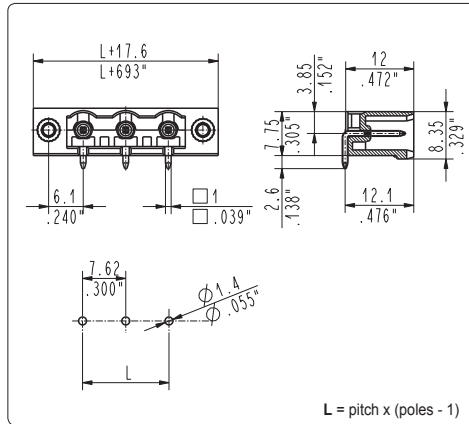
5 mm / .197" pitch		Weight per pole: 0.70 g			
Poles	Code	Pcs/pack.	W [kg]*	Pcs/Ind.**	W [kg]*
02	CIM025V1	300	0.51	1000	1,70
03	CIM035V1	250	0.54	750	1,61
04	CIM045V1	200	0.52	500	1,30
05	CIM055V1	175	0.53	500	1,53
06	CIM065V1	150	0.53	500	1,75
07	CIM075V1	125	0.49	250	0,99
08	CIM085V1	100	0.44	250	1,10
09	CIM095V1	100	0.49	250	1,21
10	CIM105V1	75	0.40	250	1,33
11	CIM115V1	75	0.43	250	1,44
12	CIM125V1	75	0.47	250	1,55
13	CIM135V1	75	0.50	250	1,66
14	CIM145V1	75	0.53	250	1,78
15	CIM155V1	50	0.38	250	1,89
16	CIM165V1	50	0.40	250	2,00
17	CIM175V1	50	0.42	250	2,11
18	CIM185V1	50	0.45	125	1,11
19	CIM195V1	50	0.47	125	1,17
20	CIM205V1	50	0.49	125	1,23
21	CIM215V1	50	0.51	125	1,28
22	CIM225V1	50	0.54	125	1,34
23	CIM235V1	50	0.56	125	1,39
24	CIM245V1	50	0.58	125	1,45

CIM_5V2 270°, locking screw flanges male

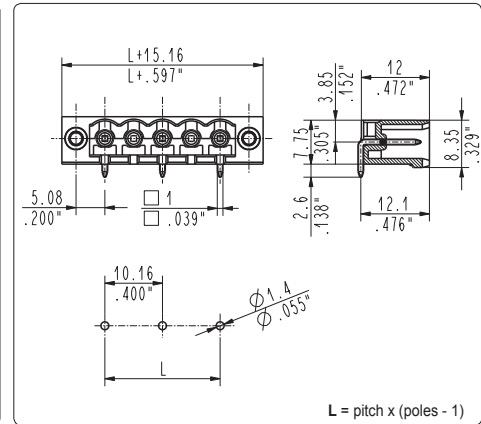
10 mm / .394" pitch					
Poles	Code	Pcs/pack.	W [kg]*	Pcs/Ind.**	W [kg]*
02	CIM025V2	250	0.49	750	1,47
03	CIM035V2	175	0.44	500	1,27
04	CIM045V2	125	0.39	250	0,78
05	CIM055V2	100	0.37	250	0,93
06	CIM065V2	75	0.32	250	1,07
07	CIM075V2	75	0.36	250	1,22
08	CIM085V2	50	0.27	250	1,36
09	CIM095V2	50	0.30	250	1,51
10	CIM105V2	50	0.33	125	0,83
11	CIM115V2	50	0.36	125	0,90
12	CIM125V2	50	0.39	125	0,97



L = pitch x (poles - 1)



L = pitch x (poles - 1)



L = pitch x (poles - 1)

CIM_5V5 270°, locking screw flanges male

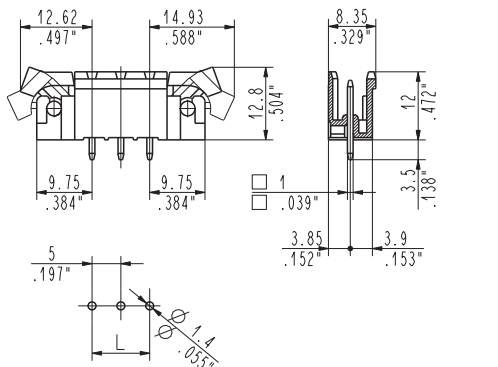
5.08 mm / .200" pitch					
Poles	Code	Pcs/pack.	W [kg]*	Pcs/Ind.**	W [kg]*
02	CIM025V5	300	0.51	1000	1,70
03	CIM035V5	250	0.54	750	1,61
04	CIM045V5	200	0.52	500	1,30
05	CIM055V5	175	0.53	500	1,53
06	CIM065V5	150	0.53	500	1,75
07	CIM075V5	125	0.49	250	0,99
08	CIM085V5	100	0.44	250	1,10
09	CIM095V5	100	0.49	250	1,21
10	CIM105V5	75	0.40	250	1,33
11	CIM115V5	75	0.43	250	1,44
12	CIM125V5	75	0.47	250	1,55
13	CIM135V5	75	0.50	250	1,66
14	CIM145V5	75	0.53	250	1,78
15	CIM155V5	50	0.38	250	1,89
16	CIM165V5	50	0.40	250	2,00
17	CIM175V5	50	0.42	250	2,11
18	CIM185V5	50	0.45	125	1,11
19	CIM195V5	50	0.47	125	1,17
20	CIM205V5	50	0.49	125	1,23
21	CIM215V5	50	0.51	125	1,28
22	CIM225V5	50	0.54	125	1,34
23	CIM235V5	50	0.56	125	1,39
24	CIM245V5	50	0.58	125	1,45

CIM_5V7 270°, locking screw flanges male

7.62 mm / .300" pitch					
Poles	Code	Pcs/pack.	W [kg]*	Pcs/Ind.**	W [kg]*
02	CIM025V7	250	0.45	750	1,35
03	CIM035V7	175	0.40	500	1,15
04	CIM045V7	125	0.35	250	0,70
05	CIM055V7	100	0.33	250	0,83
06	CIM065V7	75	0.29	250	0,95
07	CIM075V7	75	0.32	250	1,08
08	CIM085V7	50	0.24	250	1,20
09	CIM095V7	50	0.27	250	1,33
10	CIM105V7	50	0.29	125	0,73
11	CIM115V7	50	0.32	125	0,79
12	CIM125V7	50	0.34	125	0,85

CIM_5V6 270°, locking screw flanges male

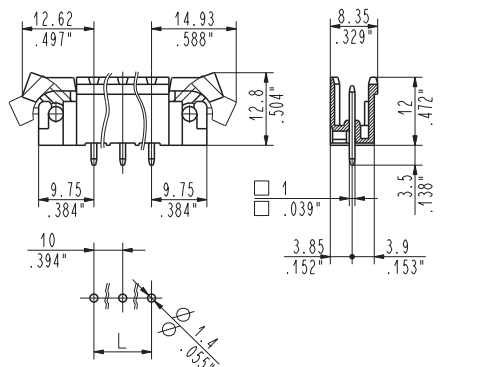
10.16 mm / .400" pitch					
Poles	Code	Pcs/pack.	W [kg]*	Pcs/Ind.**	W [kg]*
02	CIM025V6	250	0.49	750	1,47
03	CIM035V6	175	0.44	500	1,27
04	CIM045V6	125	0.39	250	0,78
05	CIM055V6	100	0.37	250	0,93
06	CIM065V6	75	0.32	250	1,07
07	CIM075V6	75	0.36	250	1,22
08	CIM085V6	50	0.27	250	1,36
09	CIM095V6	50	0.30	250	1,51
10	CIM105V6	50	0.33	125	0,83
11	CIM115V6	50	0.36	125	0,90
12	CIM125V6	50	0.39	125	0,97



L = pitch x (poles - 1)

CIM_0E1 straight, ejectors male

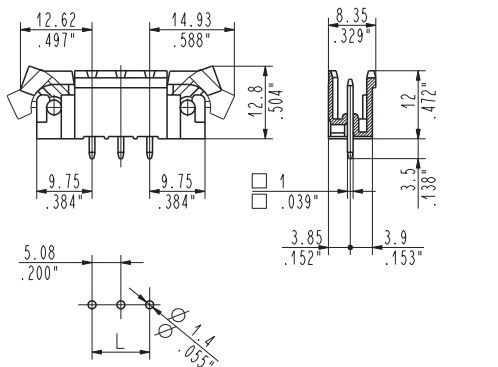
5 mm / .197" pitch						
Poles	Code	Pcs/pack.	W [kg]*	Pcs/Ind.**	W [kg]*	
02	CIM020E1	175	0,32	1500	2,76	
03	CIM030E1	150	0,34	1000	2,29	
04	CIM040E1	125	0,34	750	2,06	
05	CIM050E1	100	0,32	750	2,39	
06	CIM060E1	100	0,36	500	1,82	
07	CIM070E1	75	0,31	500	2,05	
08	CIM080E1	75	0,34	500	2,27	
09	CIM090E1	75	0,37	250	1,25	
10	CIM100E1	75	0,41	250	1,36	
11	CIM110E1	75	0,44	250	1,47	
12	CIM120E1	50	0,32	250	1,59	
13	CIM130E1	50	0,34	250	1,70	
14	CIM140E1	50	0,36	250	1,81	
15	CIM150E1	50	0,38	250	1,92	
16	CIM160E1	50	0,41	250	2,04	
17	CIM170E1	50	0,43	250	2,15	
18	CIM180E1	50	0,45	125	1,13	
19	CIM190E1	50	0,47	125	1,19	
20	CIM200E1	50	0,50	125	1,24	
21	CIM210E1	50	0,52	125	1,30	



L = pitch x (poles - 1)

CIM_0E2 straight, ejectors male

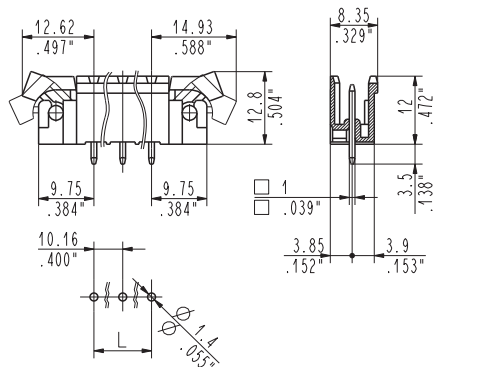
10 mm / .394" pitch						
Poles	Code	Pcs/pack.	W [kg]*	Pcs/Ind.**	W [kg]*	
02	CIM020E2	125	0,26	1000	2,10	
03	CIM030E2	100	0,27	750	2,01	
04	CIM040E2	75	0,24	500	1,63	
05	CIM050E2	75	0,29	250	0,96	
06	CIM060E2	50	0,22	250	1,11	
07	CIM070E2	50	0,25	250	1,25	
08	CIM080E2	50	0,28	250	1,40	
09	CIM090E2	50	0,31	250	1,54	
10	CIM100E2	50	0,34	125	0,84	
11	CIM110E2	50	0,37	125	0,92	



L = pitch x (poles - 1)

CIM_0E5 straight, ejectors male

5,08 mm / .200" pitch						
Poles	Code	Pcs/pack.	W [kg]*	Pcs/Ind.**	W [kg]*	
02	CIM020E5	175	0,32	1500	2,76	
03	CIM030E5	150	0,34	1000	2,29	
04	CIM040E5	125	0,34	750	2,06	
05	CIM050E5	100	0,32	750	2,39	
06	CIM060E5	100	0,36	500	1,82	
07	CIM070E5	75	0,31	500	2,05	
08	CIM080E5	75	0,34	500	2,27	
09	CIM090E5	75	0,37	250	1,25	
10	CIM100E5	75	0,41	250	1,36	
11	CIM110E5	75	0,44	250	1,47	
12	CIM120E5	50	0,32	250	1,59	
13	CIM130E5	50	0,34	250	1,70	
14	CIM140E5	50	0,36	250	1,81	
15	CIM150E5	50	0,38	250	1,92	
16	CIM160E5	50	0,41	250	2,04	
17	CIM170E5	50	0,43	250	2,15	
18	CIM180E5	50	0,45	125	1,13	
19	CIM190E5	50	0,47	125	1,19	
20	CIM200E5	50	0,50	125	1,24	
21	CIM210E5	50	0,52	125	1,30	



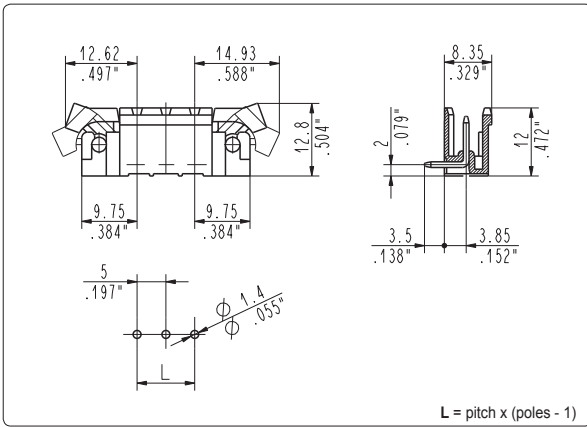
L = pitch x (poles - 1)

CIM_0E6 straight, ejectors male

10,16 mm / .400" pitch						
Poles	Code	Pcs/pack.	W [kg]*	Pcs/Ind.**	W [kg]*	
02	CIM020E6	125	0,26	1000	2,10	
03	CIM030E6	100	0,27	750	2,01	
04	CIM040E6	75	0,24	500	1,63	
05	CIM050E6	75	0,29	250	0,96	
06	CIM060E6	50	0,22	250	1,11	
07	CIM070E6	50	0,25	250	1,25	
08	CIM080E6	50	0,28	250	1,40	
09	CIM090E6	50	0,31	250	1,54	
10	CIM100E6	50	0,34	125	0,84	
11	CIM110E6	50	0,37	125	0,92	

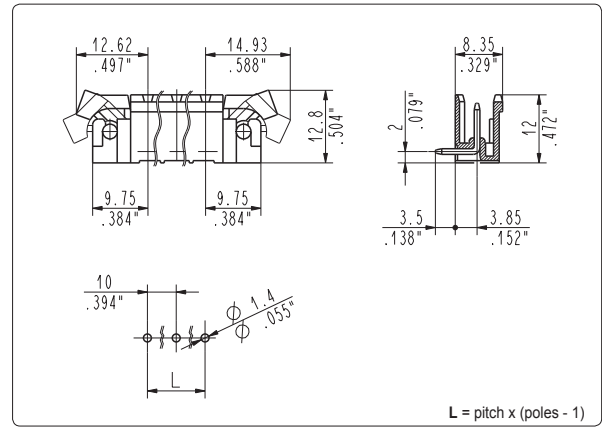
*W [kg]: approximate weight per box in kg

**industrial packaging: add "-00000E" at standard code



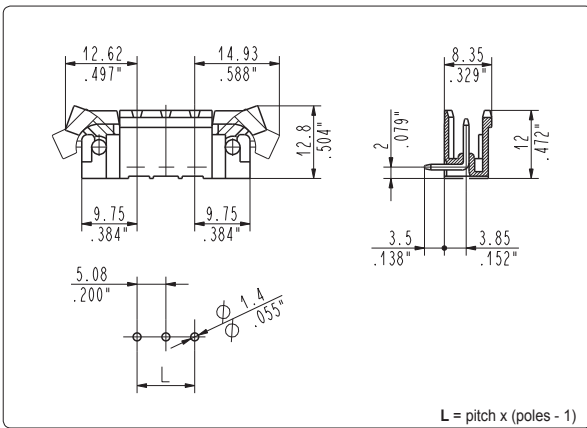
CIM_9E1 90°, ejectors male

5 mm / .197" pitch						
Poles	Code	Pcs/pack.	W [kg]*	Pcs/Ind.**	W [kg]*	
02	CIM029E1	175	0,32	1500	2,76	
03	CIM039E1	150	0,34	1000	2,29	
04	CIM049E1	125	0,34	750	2,06	
05	CIM059E1	100	0,32	750	2,39	
06	CIM069E1	100	0,36	500	1,82	
07	CIM079E1	75	0,31	500	2,05	
08	CIM089E1	75	0,34	500	2,27	
09	CIM099E1	75	0,37	250	1,25	
10	CIM109E1	75	0,41	250	1,36	
11	CIM119E1	75	0,44	250	1,47	
12	CIM129E1	50	0,32	250	1,59	
13	CIM139E1	50	0,34	250	1,70	
14	CIM149E1	50	0,36	250	1,81	
15	CIM159E1	50	0,38	250	1,92	
16	CIM169E1	50	0,41	250	2,04	
17	CIM179E1	50	0,43	250	2,15	
18	CIM189E1	50	0,45	125	1,13	
19	CIM199E1	50	0,47	125	1,19	
20	CIM209E1	50	0,50	125	1,24	
21	CIM219E1	50	0,52	125	1,30	



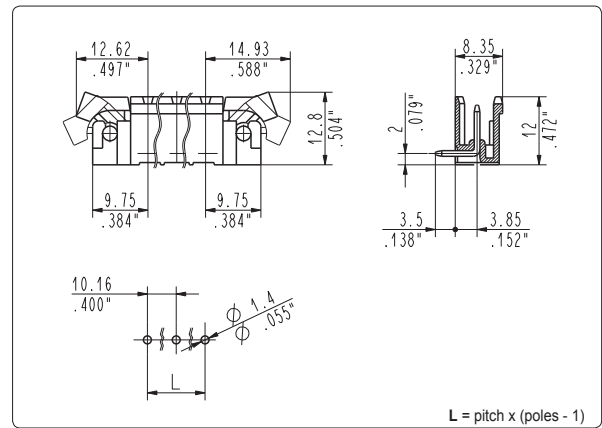
CIM_9E2 90°, ejectors male

10 mm / .394" pitch						
Poles	Code	Pcs/pack.	W [kg]*	Pcs/Ind.**	W [kg]*	
02	CIM029E2	125	0,26	1000	2,10	
03	CIM039E2	100	0,27	750	2,01	
04	CIM049E2	75	0,24	500	1,63	
05	CIM059E2	75	0,29	250	0,96	
06	CIM069E2	50	0,22	250	1,11	
07	CIM079E2	50	0,25	250	1,25	
08	CIM089E2	50	0,28	250	1,40	
09	CIM099E2	50	0,31	250	1,54	
10	CIM109E2	50	0,34	125	0,84	
11	CIM119E2	50	0,37	125	0,92	



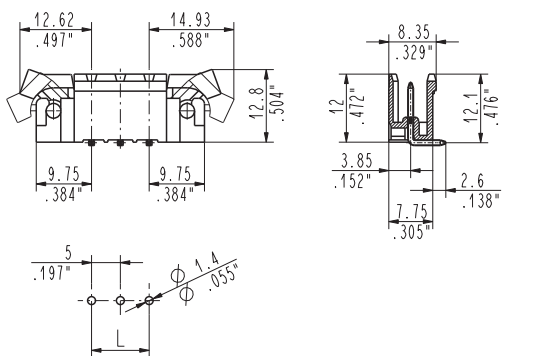
CIM_9E5 90°, ejectors male

5.08 mm / .200" pitch						
Poles	Code	Pcs/pack.	W [kg]*	Pcs/Ind.**	W [kg]*	
02	CIM029E5	175	0,32	1500	2,76	
03	CIM039E5	150	0,34	1000	2,29	
04	CIM049E5	125	0,34	750	2,06	
05	CIM059E5	100	0,32	750	2,39	
06	CIM069E5	100	0,36	500	1,82	
07	CIM079E5	75	0,31	500	2,05	
08	CIM089E5	75	0,34	500	2,27	
09	CIM099E5	75	0,37	250	1,25	
10	CIM109E5	75	0,41	250	1,36	
11	CIM119E5	75	0,44	250	1,47	
12	CIM129E5	50	0,32	250	1,59	
13	CIM139E5	50	0,34	250	1,70	
14	CIM149E5	50	0,36	250	1,81	
15	CIM159E5	50	0,38	250	1,92	
16	CIM169E5	50	0,41	250	2,04	
17	CIM179E5	50	0,43	250	2,15	
18	CIM189E5	50	0,45	125	1,13	
19	CIM199E5	50	0,47	125	1,19	
20	CIM209E5	50	0,50	125	1,24	
21	CIM219E5	50	0,52	125	1,30	



CIM_9E6 90°, ejectors male

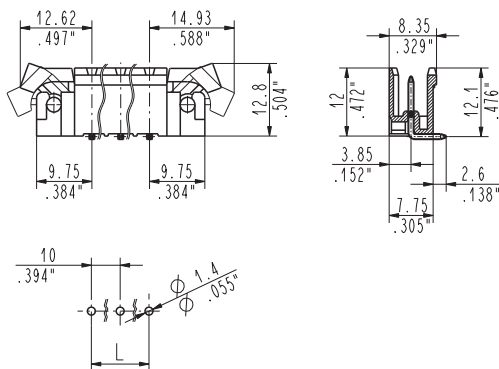
10.16 mm / .400" pitch						
Poles	Code	Pcs/pack.	W [kg]*	Pcs/Ind.**	W [kg]*	
02	CIM029E6	125	0,26	1000	2,10	
03	CIM039E6	100	0,27	750	2,01	
04	CIM049E6	75	0,24	500	1,63	
05	CIM059E6	75	0,29	250	0,96	
06	CIM069E6	50	0,22	250	1,11	
07	CIM079E6	50	0,25	250	1,25	
08	CIM089E6	50	0,28	250	1,40	
09	CIM099E6	50	0,31	250	1,54	
10	CIM109E6	50	0,34	125	0,84	
11	CIM119E6	50	0,37	125	0,92	



L = pitch x (poles - 1)

CIM_5E1 270°, ejector ears male

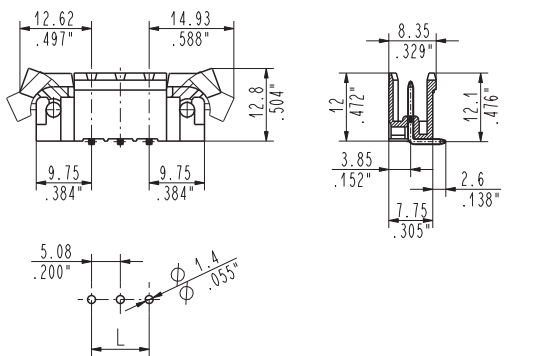
5 mm / .197" pitch						
Poles	Code	Pcs/pack.	W [kg]*	Pcs/Ind.**	W [kg]*	
02	CIM025E1	175	0,32	1500	2,76	
03	CIM035E1	150	0,34	1000	2,29	
04	CIM045E1	125	0,34	750	2,06	
05	CIM055E1	100	0,32	750	2,39	
06	CIM065E1	100	0,36	500	1,82	
07	CIM075E1	75	0,31	500	2,05	
08	CIM085E1	75	0,34	500	2,27	
09	CIM095E1	75	0,37	250	1,25	
10	CIM105E1	75	0,41	250	1,36	
11	CIM115E1	75	0,44	250	1,47	
12	CIM125E1	50	0,32	250	1,59	
13	CIM135E1	50	0,34	250	1,70	
14	CIM145E1	50	0,36	250	1,81	
15	CIM155E1	50	0,38	250	1,92	
16	CIM165E1	50	0,41	250	2,04	
17	CIM175E1	50	0,43	250	2,15	
18	CIM185E1	50	0,45	125	1,13	
19	CIM195E1	50	0,47	125	1,19	
20	CIM205E1	50	0,50	125	1,24	
21	CIM215E1	50	0,52	125	1,30	



L = pitch x (poles - 1)

CIM_5E2 270°, ejector ears male

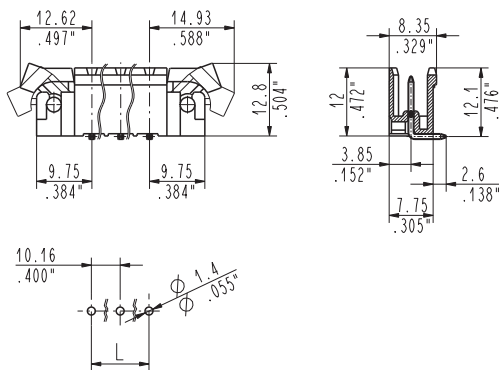
10 mm / .394" pitch						
Poles	Code	Pcs/pack.	W [kg]*	Pcs/Ind.**	W [kg]*	
02	CIM025E2	125	0,26	1000	2,10	
03	CIM035E2	100	0,27	750	2,01	
04	CIM045E2	75	0,24	500	1,63	
05	CIM055E2	75	0,29	250	0,96	
06	CIM065E2	50	0,22	250	1,11	
07	CIM075E2	50	0,25	250	1,25	
08	CIM085E2	50	0,28	250	1,40	
09	CIM095E2	50	0,31	250	1,54	
10	CIM105E2	50	0,34	125	0,84	
11	CIM115E2	50	0,37	125	0,92	



L = pitch x (poles - 1)

CIM_5E5 270°, ejector ears male

5.08 mm / .200" pitch						
Poles	Code	Pcs/pack.	W [kg]*	Pcs/Ind.**	W [kg]*	
02	CIM025E5	175	0,32	1500	2,76	
03	CIM035E5	150	0,34	1000	2,29	
04	CIM045E5	125	0,34	750	2,06	
05	CIM055E5	100	0,32	750	2,39	
06	CIM065E5	100	0,36	500	1,82	
07	CIM075E5	75	0,31	500	2,05	
08	CIM085E5	75	0,34	500	2,27	
09	CIM095E5	75	0,37	250	1,25	
10	CIM105E5	75	0,41	250	1,36	
11	CIM115E5	75	0,44	250	1,47	
12	CIM125E5	50	0,32	250	1,59	
13	CIM135E5	50	0,34	250	1,70	
14	CIM145E5	50	0,36	250	1,81	
15	CIM155E5	50	0,38	250	1,92	
16	CIM165E5	50	0,41	250	2,04	
17	CIM175E5	50	0,43	250	2,15	
18	CIM185E5	50	0,45	125	1,13	
19	CIM195E5	50	0,47	125	1,19	
20	CIM205E5	50	0,50	125	1,24	
21	CIM215E5	50	0,52	125	1,30	



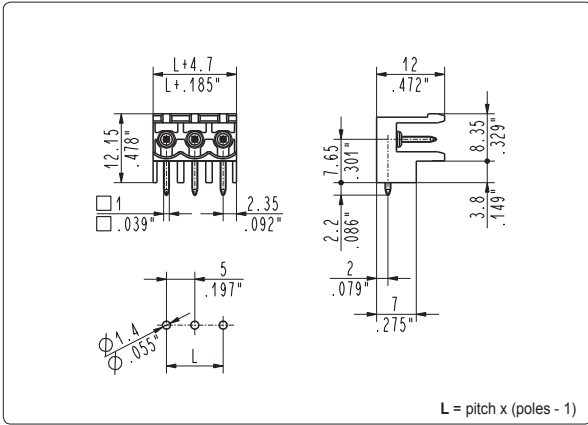
L = pitch x (poles - 1)

CIM_5E6 270°, ejector ears male

10.16 mm / .400" pitch						
Poles	Code	Pcs/pack.	W [kg]*	Pcs/Ind.**	W [kg]*	
02	CIM025E6	125	0,26	1000	2,10	
03	CIM035E6	100	0,27	750	2,01	
04	CIM045E6	75	0,24	500	1,63	
05	CIM055E6	75	0,29	250	0,96	
06	CIM065E6	50	0,22	250	1,11	
07	CIM075E6	50	0,25	250	1,25	
08	CIM085E6	50	0,28	250	1,40	
09	CIM095E6	50	0,31	250	1,54	
10	CIM105E6	50	0,34	125	0,84	
11	CIM115E6	50	0,37	125	0,92	

*W [kg]: approximate weight per box in kg

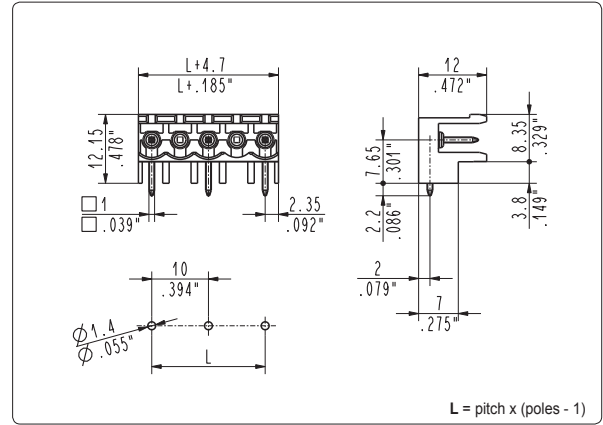
**Industrial packaging: add "-00000E" at standard code



CIM_RA1 90°, side stackable with stand-off

5 mm / .197" pitch

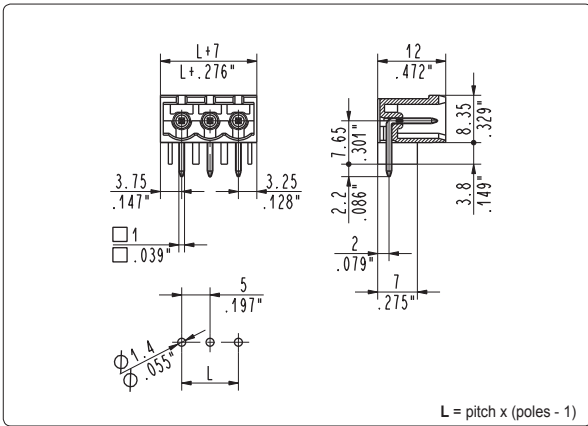
Poles	Code	Pcs/pack.	W [kg]*	Pcs/Ind.**	W [kg]*
02	CIM02RA1	175	0,13	1000	0,72
03	CIM03RA1	125	0,14	750	0,81
04	CIM04RA1	100	0,14	500	0,72
05	CIM05RA1	75	0,14	500	0,90
06	CIM06RA1	75	0,16	500	1,08
07	CIM07RA1	75	0,19	250	0,63
08	CIM08RA1	50	0,14	250	0,72



CIM_RA2 90°, side stackable with stand-off

10 mm / .394" pitch

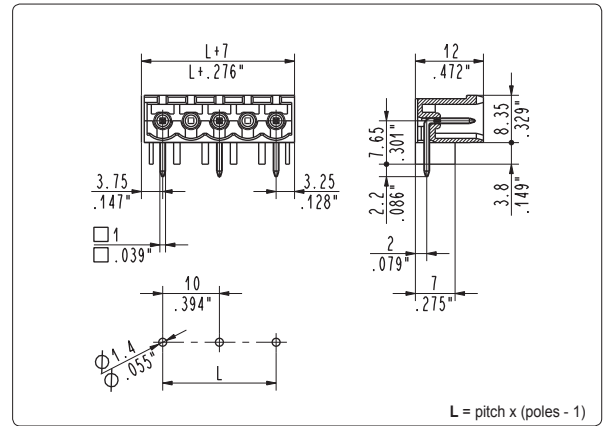
Poles	Code	Pcs/pack.	W [kg]*	Pcs/Ind.**	W [kg]*
02	CIM02RA2	350	0,26	750	0,56
03	CIM03RA2	200	0,22	500	0,56
04	CIM04RA2	125	0,19	250	0,37



CIM_RP1 90°, side stackable with stand-off

5 mm / .197" pitch

Poles	Code	Pcs/pack.	W [kg]*	Pcs/Ind.**	W [kg]*
02	CIM02RP1	175	0,14	1000	0,80
03	CIM03RP1	125	0,15	750	0,90
04	CIM04RP1	100	0,16	500	0,80
05	CIM05RP1	75	0,15	500	1,00
06	CIM06RP1	75	0,18	500	1,20
07	CIM07RP1	75	0,21	250	0,70
08	CIM08RP1	50	0,16	250	0,80



CIM_RP2 90°, side stackable with stand-off

10 mm / .394" pitch

Poles	Code	Pcs/pack.	W [kg]*	Pcs/Ind.**	W [kg]*
02	CIM02RP2	350	0,29	750	0,62
03	CIM03RP2	200	0,25	500	0,62
04	CIM04RP2	125	0,21	250	0,41

X-ON Electronics

Largest Supplier of Electrical and Electronic Components

Click to view similar products for [Headers & Wire Housings](#) category:

Click to view products by [Sauro](#) manufacturer:

Other Similar products are found below :

[95000-104TRLF](#) [10135584-644402LF](#) [DF62W-EP2022PCA](#) [95000-106TRLF](#) [DF62W-2022SCA](#) [DF62W-EP2022PC](#) [2203348](#) [DF62W-2022SC](#) [1084018](#) [1029039](#) [1084017](#) [802-10-012-10-002000](#) [1112640](#) [1112639](#) [000-34000](#) [0009482033](#) [0009507031](#) [57102-S06-03LF](#) [57202-S52-04LF](#) [PCN6-15S-2.5E](#) [0039019024](#) [58102-G61-06LF](#) [582553-1](#) [0009485154](#) [0009508121](#) [0022285053](#) [0050291907](#) [018731A](#) [LY20-4P-DT1-P1E-BR](#) [02.125.8002.8](#) [60101931](#) [60598-1 \(Cut Strip\)](#) [M1625-3R/100](#) [61062-3](#) [61082-181009](#) [636-1427](#) [638009-1](#) [641938-9](#) [641991-4](#) [644168-1](#) [647662-1](#) [65039-019ELF](#) [65781-047](#) [65817-002LF](#) [65817-015LF](#) [65863-015LF](#) [66207-023LF](#) [67016-026LF](#) [67046-001LF](#) [67095-007LF](#)