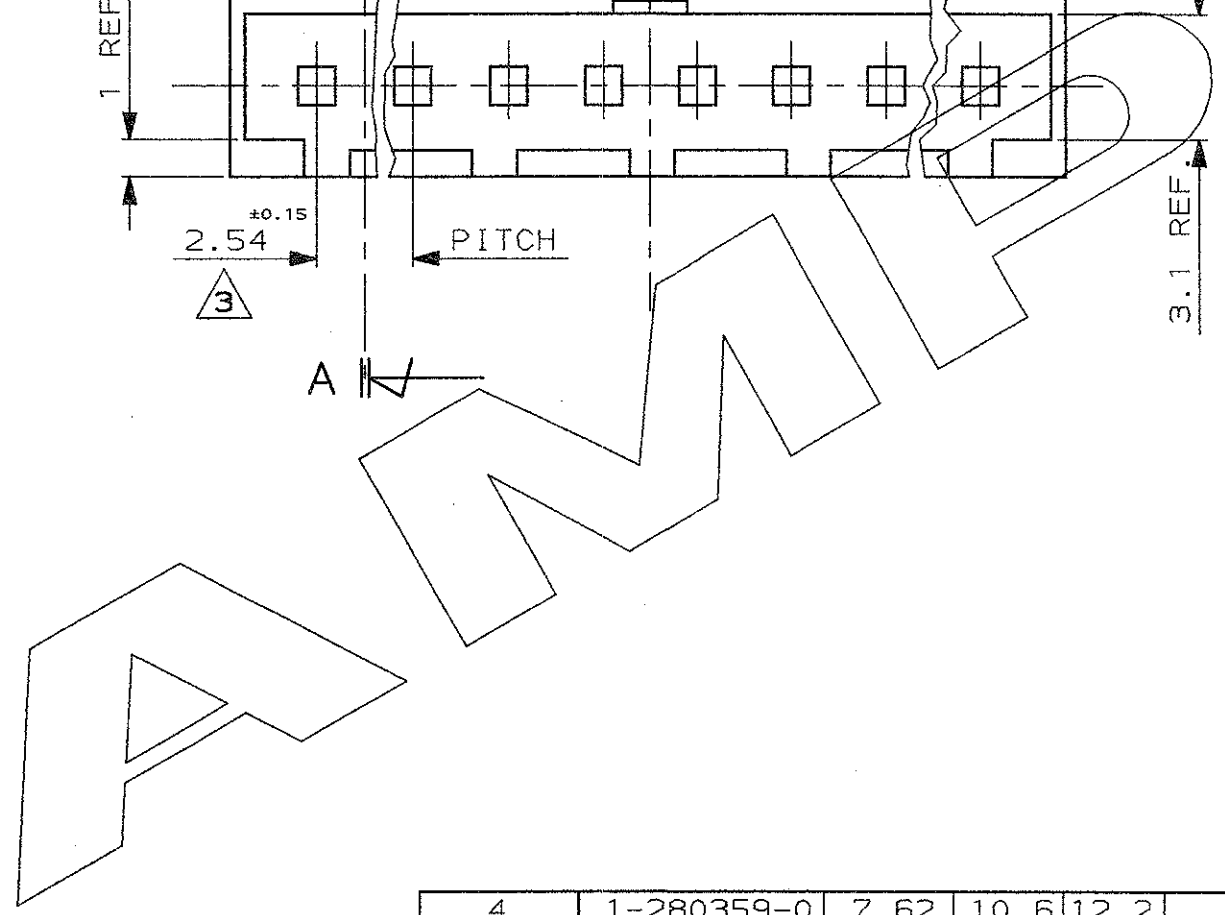
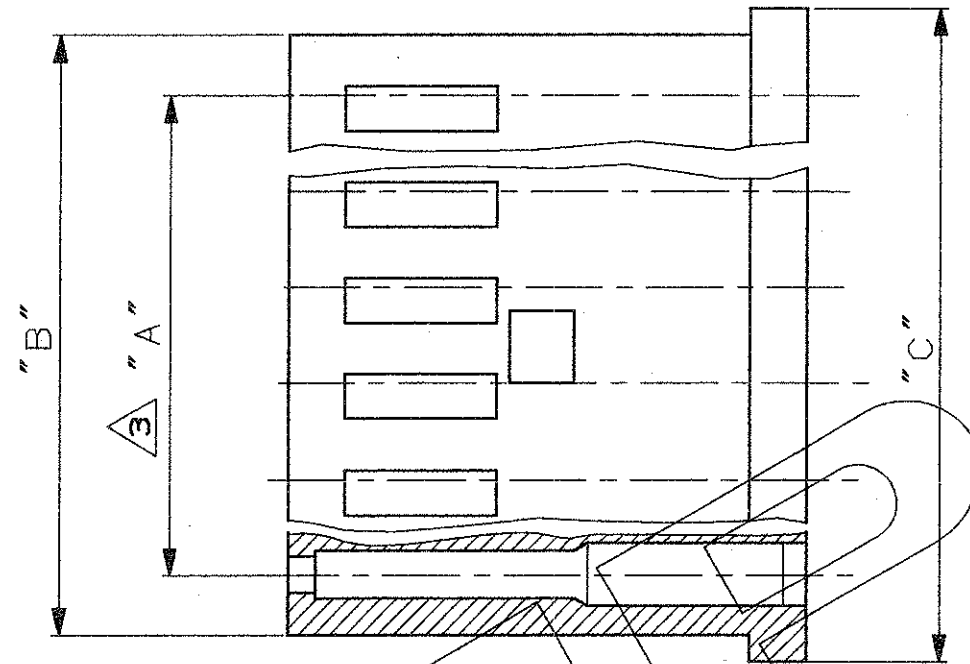
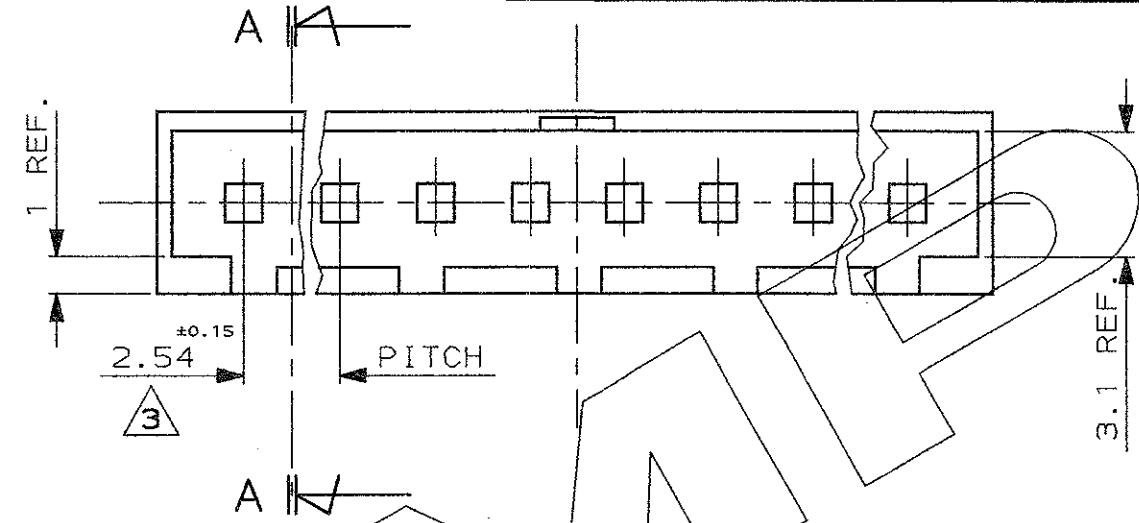
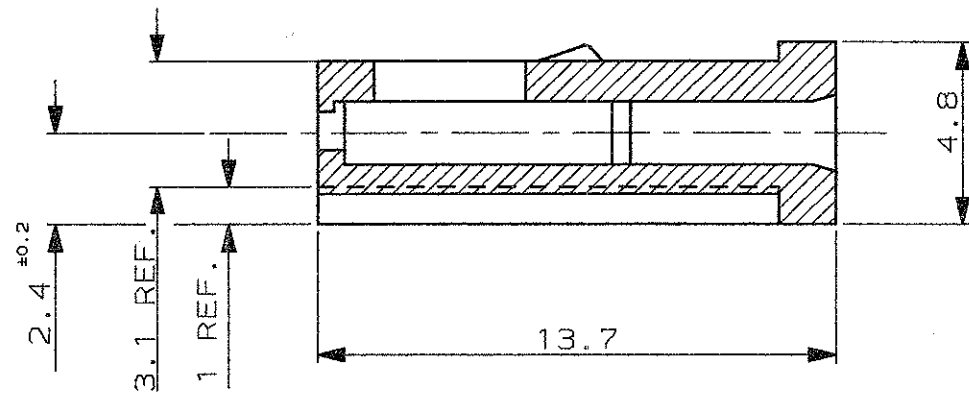


SEZ. A-A  
(SECT. A-A)

SCALA NON IMPEGNATIVA  
(DO NOT SCALE)  
DIMENSIONI IN mm  
(DIMENSIONS IN)

**METRIC**

PROIEZIONE EUROPEA  
(EUROPEAN PROJECTION)



4	1-280359-0	7.62	10.6	12.2	△2
2	1-280358-0	2.54	5.6	7.1	
22	280364-0	53.34	56.4	57.9	△1
15	280363-0	35.56	38.6	40.1	
12	280514-0	27.94	31	32.5	
10	280362-0	22.86	25.9	27.4	
9	280512-0	20.32	23.3	24.9	
8	280361-0	17.78	20.8	22.3	
6	280360-0	12.70	15.7	17.3	
4	280359-0	7.62	10.6	12.2	
2	280358-0	2.54	5.6	7.1	
N° POS.	PART NUMBER	DIM. "A"	DIM. "B"	DIM. "C"	MATERIAL (SEE NOTE)

△1 NORYL, UL94 V1, COLORE NERO

△1 NORYL, UL94 V1, BLACK COLOUR

△2 NORYL SE-1 COLORE ROSSO

△2 NORYL SE-1 RED COLOUR

△3 TOLLERANZA NON CUMULATIVA

△3 NON CUMULATIVE TOLERANCE

CUSTOMER DRAWING  
FOR REFERENCE ONLY

DISEGNO PER CLIENTE  
SOLO PER RIFERIMENTO

THIS DRAWING IS UNPUBLISHED | RELEASE FOR PUBLICATION

TOLLERANZE, SE NON  
DIVERSAMENTE SPECIFICATO  
(TOLERANCES, UNLESS  
OTHERWISE SPECIFIED)

DIAM. ISOLANTE  
(INS. DIA. RANGE)

RANGO FILO  
(WIRE RANGE)

SCALA  
(SCALE)

± 0.3

ANGOLI  
(ANGLES)

± 2°

**STE** TE Connectivity

DIS. 11 APRIL '95  
(DR.) C.PIA

DESCRIZIONE  
(DESCRIPTION) AMPMODU II REC. HSG

CONT. 11 APRIL '95  
(CHK) R. CANTORE

SINGLE ROW, CRIMP ON-SNAP IN

Y2	REVISED PER ECO-11-005140	RK	30MAY11
REV. (REV. DATE)	REVISIONI (REVISION RECORD)	DIS. (DR)	DATA (DATE)

APP. (APP.)	DATA (DATE)

LOC. (LOC.)	SIZE (SIZE)	NUMERO (DWS NO)	REV. (REV.)	FOGLIO (SHEET)
I	A3	C-280358	Y2	1

## X-ON Electronics

Largest Supplier of Electrical and Electronic Components

*Click to view similar products for [Headers & Wire Housings](#) category:*

*Click to view products by [TE Connectivity](#) manufacturer:*

Other Similar products are found below :

[95000-104TRLF](#) [10135584-644402LF](#) [DF62W-EP2022PCA](#) [95000-106TRLF](#) [DF62W-2022SCA](#) [DF62W-EP2022PC](#) [2203348](#) [DF62W-2022SC](#) [1084018](#) [1029039](#) [1084017](#) [802-10-012-10-002000](#) [1112640](#) [1112639](#) [891-007-9SS-BST1T](#) [000-34000](#) [0008550134](#) [0009482033](#) [0009507031](#) [57102-F02-18ULF](#) [57102-S06-03LF](#) [57202-S52-04LF](#) [PCN6-15S-2.5E](#) [0039019024](#) [58102-G61-06LF](#) [582553-1](#) [0009485154](#) [0009508121](#) [0022285053](#) [0050291907](#) [018731A](#) [LY20-4P-DT1-P1E-BR](#) [02.125.8002.8](#) [60101931](#) [60598-1 \(Cut Strip\)](#) [M1625-3R/100](#) [61062-3](#) [61082-181009](#) [CSU011177004](#) [636-1427](#) [638009-1](#) [641938-9](#) [641991-4](#) [644168-1](#) [644827-2](#) [647662-1](#) [65039-019ELF](#) [65692-001LF](#) [65781-018](#) [65781-047](#)