

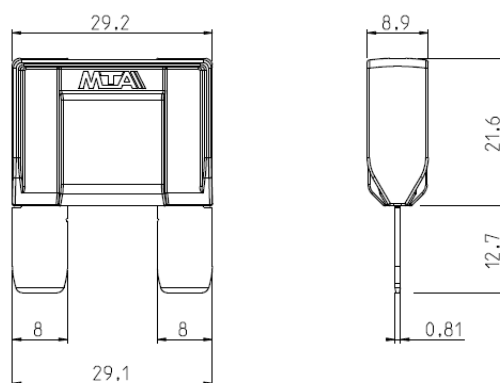
MaxiVAL® fuses are compliant with ISO 8820-3 Standard (Type “E”). This is the most applied standard to protect medium-heavy wires. Its slow blow operating characteristics allow high peak inrush currents with heavy duty cycle. MaxiVAL® are made of Zinc alloy whose low melting temperature avoids heavy over temperatures



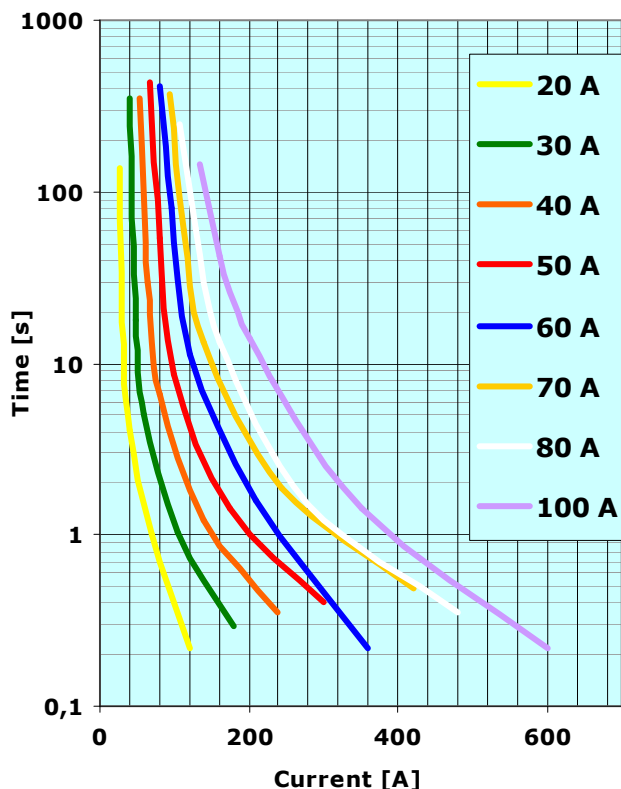
**Breaking capacity:** 1000[A]  
**Voltage rating:** 32[Vdc]  
**Ambient temperature:** -40°C to +125°C

| MTA/ISO MaxiVAL® operating time limits |         |                |
|--|---------|----------------|
| % I <sub>N</sub>                       | min [s] | max [s]        |
| 100                                    | 360000  | -              |
| 135                                    | 60      | <b>600 (*)</b> |
| 160                                    | 10      | 200            |
| 200                                    | 2       | 60             |
| 350                                    | 0,2     | 7              |
| 600                                    | 0,04    | 1              |

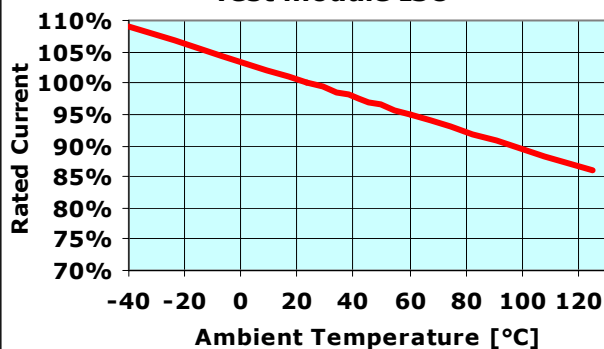
(\*) Exceeds ISO requirements (900 Sec)



**MaxiVAL® Operating Time @23°C test module ISO**



**MaxiVAL® Re-Rating Curve. Test module ISO**



| CURRENT RATING [A] | VOLTAGE DROP @ current rating [mV] | CABLE SIZE [mm <sup>2</sup> ] | I <sup>2</sup> t |
|--------------------|------------------------------------|-------------------------------|------------------|
| 20                 | 105                                | 4,0                           | 2880             |
| 30                 | 95                                 |                               | 7069             |
| 40                 | 90                                 |                               | 23120            |
| 50                 | 89                                 | 6,0                           | 36980            |
| 60                 | 84                                 |                               | 40680            |
| 70                 | 87                                 | 10,0                          | 112500           |
| 80                 | 85                                 |                               | 23120            |
| 100                | 89,5                               | 16,0                          | 65000            |

## X-ON Electronics

Largest Supplier of Electrical and Electronic Components

*Click to view similar products for [Automotive Fuses](#) category:*

*Click to view products by [MTA](#) manufacturer:*

Other Similar products are found below :

[HBO-10](#) [HBO-100](#) [HBO-150](#) [HBO-25](#) [HBO-40](#) [HBO-50](#) [AFX-150](#) [AT-10](#) [AT-30](#) [AT-5](#) [ATM-4LP](#) [ACL-30](#) [ACL-50](#) [AFX-50](#) [HBO-15](#)  
[HBO-70](#) [AT-20](#) [AT-25](#) [AT-3](#) [142.7010.5502](#) [BK-HBH-I](#) [BK-AGX-1-2](#) [142.0020.6152](#) [FMM-15](#) [0695030.PXPS](#) [0695040.PXPS](#)  
[0297003.WXT](#) [0695025.PXPS](#) [0695015.PXPS](#) [0200300](#) [02400106P](#) [0297002.WXT](#) [0297004.WXT](#) [0297010.WXT](#) [0297015.WXT](#)  
[0297020.WXT](#) [0297025.WXT](#) [0297030.WXT](#) [029707.5WXT](#) [0602930](#) [0602935](#) [0602940](#) [0602950](#) [0602960](#) [0611100](#) [0611125](#) [0611150](#)  
[0611175](#) [0611200](#) [0611225](#)