

Product Sheet

Part Number: CKAX 03 IA



Family	CK and MK enclosures
Version	metal version
Series	angled bulkhead housings with single lever
Product type	with stainless steel lever
Type	without cable gland

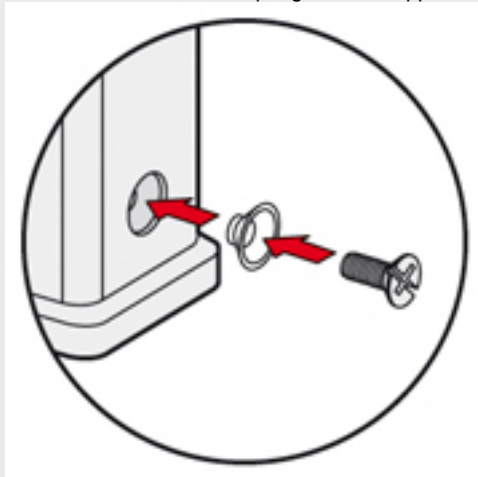
IP degree of protection	IP44 (EN 60529) degree of protection, IP66/67 degree of protection with CKR 65 kit or CKR 65 D kit.
Fixing centre distance	size "21.21"
Material	metal
Barcode EAN13	8015747027533

The information and the dimensions contained are not binding and may be changed without prior notice.
The drawing's dimensions are in mm.

Notes

Enclosures with IP44 degree of protection.

To achieve the IP66/IP67 protection rating, a kit is available which includes a seal to be fitted under the insert fastening screw supplied with the kit (see example illustrated), instead of the screw with spring washer supplied with the insert.



The information and the dimensions contained are not binding and may be changed without prior notice.
The drawing's dimensions are in mm.

X-ON Electronics

Largest Supplier of Electrical and Electronic Components

Click to view similar products for [Standard Circular Connector](#) category:

Click to view products by [ILME](#) manufacturer:

Other Similar products are found below :

[C015 10F006 001 1](#) [5M2530B10P](#) [600247N007](#) [600259N006](#) [600273N007](#) [600432N009](#) [6280-2PG-519](#) [6280-3PG-311](#) [6280-3SG-311](#)
[6280-7SG-3DC](#) [6280-7SG-522](#) [6282-5PG-311](#) [6282-6PG-519](#) [6282-8SG-311](#) [6283-11](#) [6283-15](#) [6290](#) [6293](#) [6382-2PG-311](#) [6382-2PG-3DC](#)
[6382-2SG-321](#) [6382-2SG-3DC](#) [6382-4SG-516](#) [67-03E20-37P](#) [681-PMG](#) [CXS3102A14S2P](#) [CXS3102A181S](#) [CXS3106A14S6S](#)
[D38999/20FC8SA L/C](#) [MB12P-1](#) [MB12R-6](#) [7251-2PG-300](#) [7251-2SG-300](#) [7251-4PG-300](#) [7251-4SG-300](#) [7251-5PG-300](#) [7251-5SG-300](#)
[7251-6SG-300](#) [7251-7PG-300](#) [7251-8PG-300](#) [7271-6SG-300](#) [7282-3PG-300-CH3](#) [73000005663](#) [75-190011-03P](#) [75-190216-08S](#) [75-190218-](#)
[10P](#) [75-214636-52P](#) [75-474118-10P](#) [75-474211-03P](#) [75-474218-19S](#)