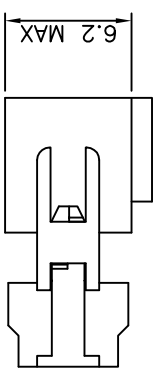
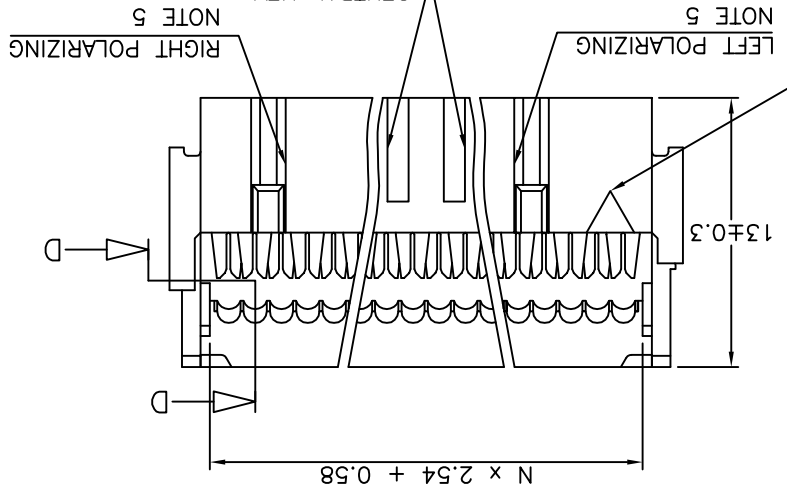


PRODUCT NUMBER
71600-YYXXLF

LEAD FREE, SEE NOTE 6
TOTAL NB OF POSITION 04 TO 64
SEE SHEET 2
OPTIONAL STRAIN RELIEF
SEE SHEET 2

NOTE 5
TRIANGLE INDICATES
POSITION 1



NOTES:

1 - PLASTIC MAT'L : GLASS FILLED HIGH TEMPERATURE THERMOPLASTIC. UL94V-0 COLOR: GREY

2 - PIN MATERIAL : PHOSPHOR BRONZE

3 - PRODUCT PACKAGED IN TUBES.

4 - TO DETERMINE DIMENSIONS :

N = NUMBER OF POSITIONS PER ROW
EXAMPLE : 8 POS N x 2.54 = 20.32mm

5 - 2x5, 2x6, 2x7 HAVE NO LEFT POLARIZING SLOT.

2x2, 2x3 WITH CENTRAL KEY HAVE NO TRIANGLE, NO LEFT AND RIGHT POLARIZING SLOT.

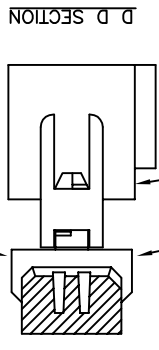
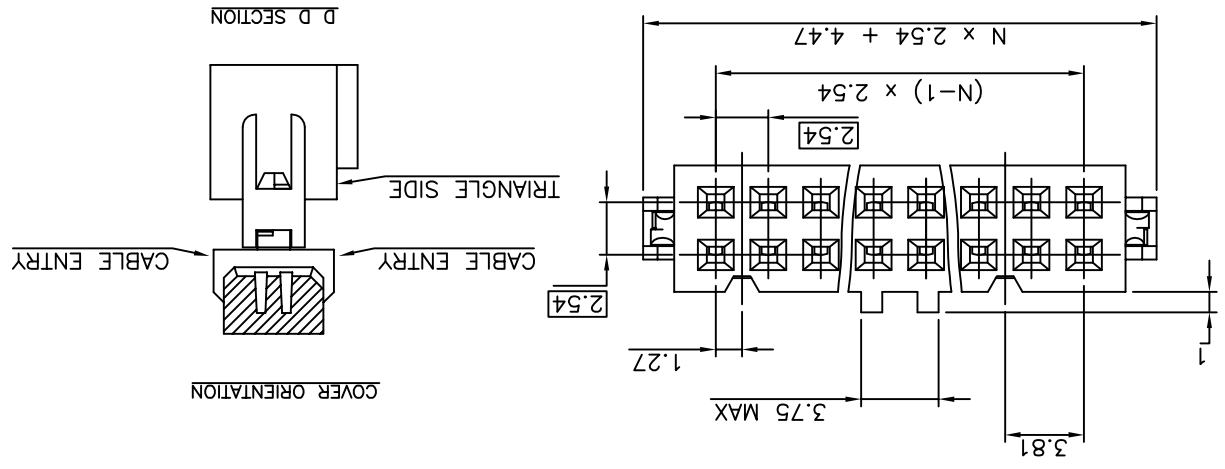
2x2 WITHOUT CENTRAL KEY HAS NO LEFT AND RIGHT POLARIZING SLOT.

2x3, 2x4 WITHOUT CENTRAL KEY HAVE NO LEFT POLARIZING SLOT

2x4 WITH CENTRAL KEY HAVE NO LEFT AND RIGHT POLARIZING SLOT

THIS PRODUCT MEETS EUROPEAN UNION DIRECTIVES AND OTHER COUNTRY REGULATIONS AS PER GS-22-008.

PACKAGING SPECIFICATION AS PER GS-14-920.



mat'l. code	SEE NOTES	surface	ISO 1302	tolerance	ISO 406 ISO 1101	projection	ISO 406 ISO 1101
l'tf ecn no	dr	dr	dr	dr	dr	dr	dr
AP12-0046	LMM	12.04.25	angle	X.X ±0.3	mm		
AR B-17851	LMM	14.06.05	linear	X.XX ±0.13	mm		
				X.XXX ±0.05	mm		
AK F05-018Q	LMM	05.04.22	dr	DLE	01.01.24		
AL F06-027Q	LMM	06.09.12	engr	P.NZ	01.01.24		
AM F06-0274	LMM	06.09.25	chn	J.F.N	01.01.24		
AN F09-0233	LMM	09.12.15	appd	P.NZ	01.01.24		
sheet revision	AR	AF					
index sheet	1	2					

product family
2.54MM IDC

title
QUICKIE III FEM

dwg no
71600

sheet 1 of 2 size
A3

type
CUSTOMER Drawing



scale 5:1



6
5
4
3
2
1
A
B
C
D

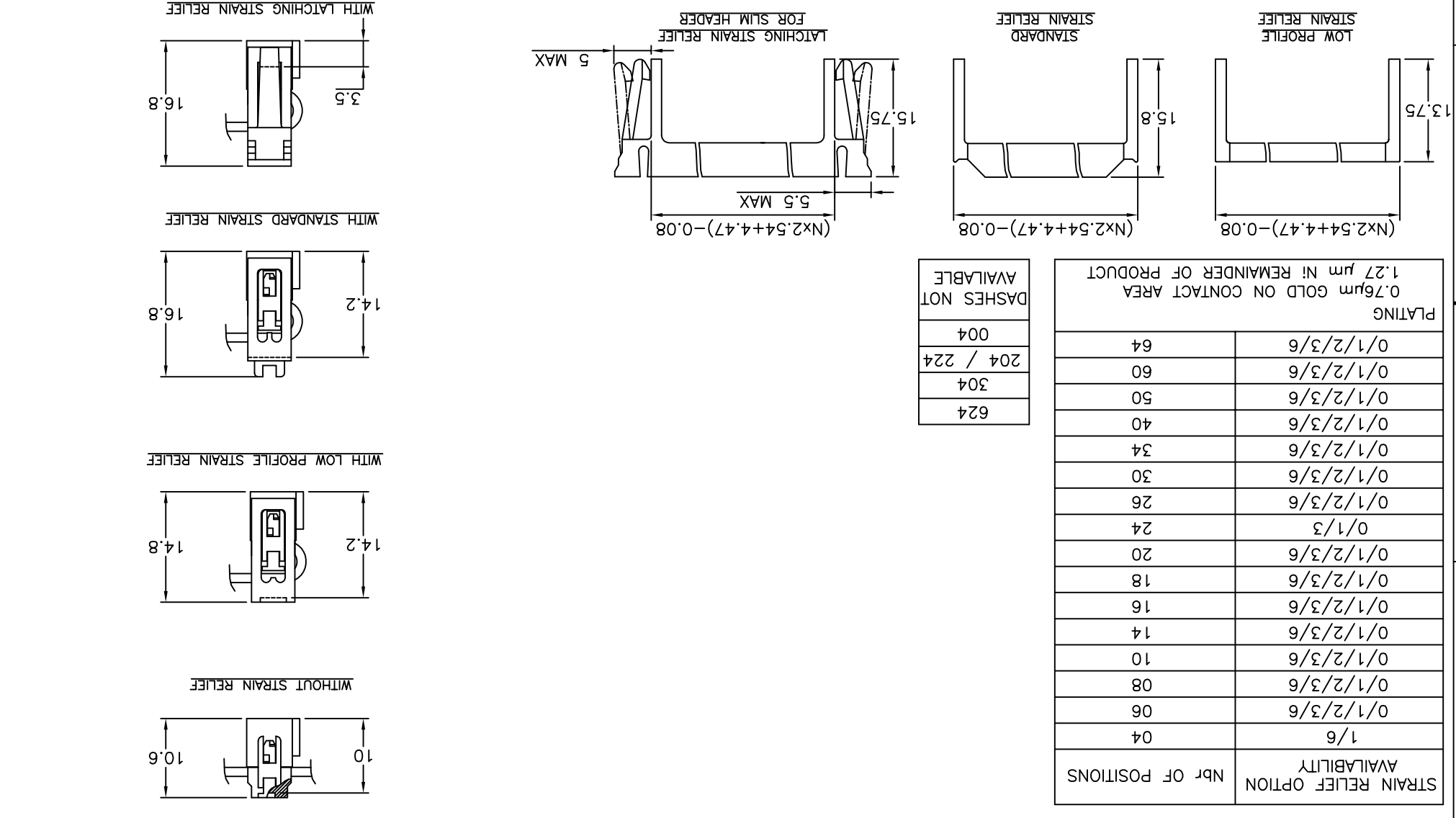
PRODUCT NUMBER	CENTRAL KEY		STRAIN RELIEF		
	WITH	WITHOUT	STANDARD	WITHOUT	LOW PROFILE
71600-0YYLF	●		●		
71600-1YYLF	●			●	
71600-2YYLF	●				●
71600-3YYLF		●	●		
71600-6YYLF	●				●

PDS: Rev:AR

STATUS:Released Printed: Jun 06, 2014

mat'l. code	surface	ISO 1302	tolerance	projection	product family	QUICKIE
AF B-17851	LMU	14.06.05	angle	linear	mm	mm
AA F10199	GCO	01.04.26	scale	N/A		
AB F03019	DLE	03.01.23	dr	DLE	01.01.24	
AC F05-0180	LMU	05.04.22	engr	P.N.Z	01.01.24	
AD F06-0270	LMU	06.09.12	chr	P.N.Z	01.01.24	
AE F06-0274	LMU	06.09.25	appd	P.N.Z	01.01.24	

6



STRAIN RELIEF OPTION	Nbr. OF POSITIONS	PLATING	
		0.76µm GOLD ON CONTACT AREA	1.27 µm Ni REMAINDER OF PRODUCT
1/6	04		
0/1/2/3/6	06		
0/1/2/3/6	08		
0/1/2/3/6	10		
0/1/2/3/6	14		
0/1/2/3/6	16		
0/1/2/3/6	18		
0/1/2/3/6	20		
0/1/3	24		
0/1/2/3/6	26		
0/1/2/3/6	30		
0/1/2/3/6	34		
0/1/2/3/6	40		
0/1/2/3/6	50		
0/1/2/3/6	60		
0/1/2/3/6	64		

DASHES NOT AVAILABLE
004
204 / 224
304
624

C
B
A

6

5

4

2 3

1

X-ON Electronics

Largest Supplier of Electrical and Electronic Components

Click to view similar products for [Headers & Wire Housings](#) category:

Click to view products by [FCT Electronics](#) manufacturer:

Other Similar products are found below :

[95000-104TRLF](#) [10135584-644402LF](#) [DF62W-EP2022PCA](#) [95000-106TRLF](#) [DF62W-2022SCA](#) [DF62W-EP2022PC](#) [2203348](#) [DF62W-2022SC](#) [1084018](#) [1029039](#) [1084017](#) [802-10-012-10-002000](#) [1112640](#) [1112639](#) [891-007-9SS-BST1T](#) [000-34000](#) [0008550134](#) [0009482033](#) [0009507031](#) [57102-F02-18ULF](#) [57102-S06-03LF](#) [57202-S52-04LF](#) [PCN6-15S-2.5E](#) [0039019024](#) [58102-G61-06LF](#) [582553-1](#) [0009485154](#) [0009508121](#) [0022285053](#) [0050291907](#) [018731A](#) [LY20-4P-DT1-P1E-BR](#) [02.125.8002.8](#) [60101931](#) [60598-1 \(Cut Strip\)](#) [M1625-3R/100](#) [61062-3](#) [61082-181009](#) [CSU011177004](#) [636-1427](#) [638009-1](#) [641938-9](#) [641991-4](#) [644168-1](#) [644827-2](#) [647662-1](#) [65039-019ELF](#) [65692-001LF](#) [65781-018](#) [65781-047](#)