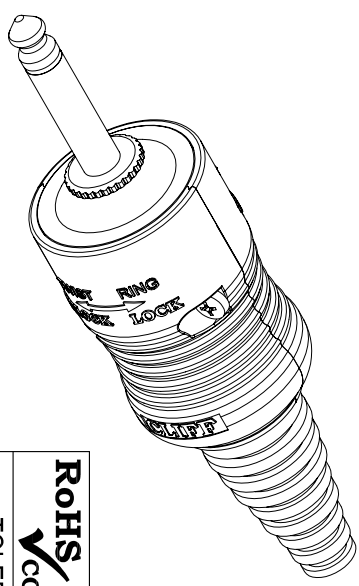
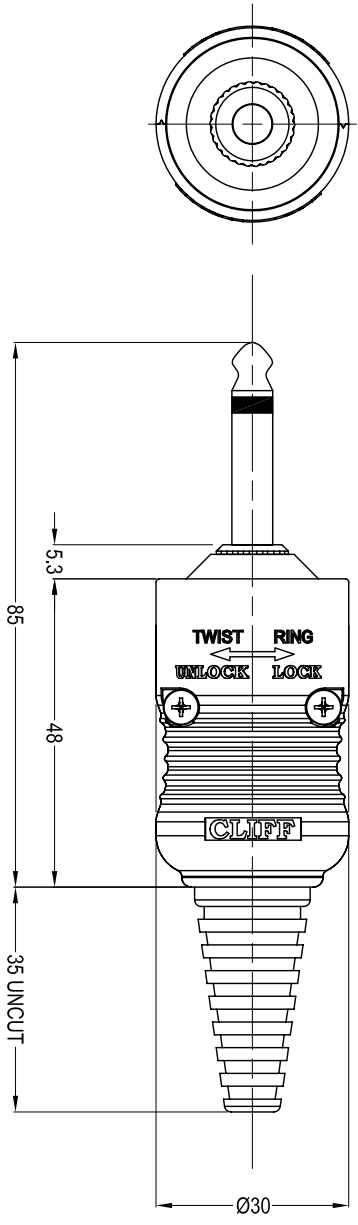


ISS.	AMEND	DATE
1	ISSUED	04/10/2012

PACK 1 SET IN ZIP TOP POLY BAG

No.	PART NUMBER	DESCRIPTION	COLOUR	QTY
1	FCR6950SA4	TOP COVER	BLACK	1
2	FCR6950SA5	BOTTOM COVER	BLACK	1
3	FM1000	COLLAR	BLACK	1
4	FCR6950SA7	CABLE GRIPS	BLACK	1
5	FCR6950SA8	No. 4 x 9mm SELF TAP SCREW	BLACK	4
6	FCR6935SA12	GROMMET	BLACK	1
7	FM10021	PROBE ASSEMBLY (MONO)	-	1
8	CL2075SA1	CLIFFCON JUMBO JACK ASSEMBLY GUIDE	-	1
9	OD1597091	POLY BAG 102mm x 140mm ZIP TOP	-	1



**ROHS COMPLIANT**

TOLERANCE  
 NO DEC. PLACE ±  
 1 DEC. PLACE ±  
 2 DEC. PLACE ±  
 HOLE Ø ±  
 ANGLES ±  
 UNLESS OTHERWISE STATED

DO NOT SCALE

**Cliff Electronic Components Ltd.**  
 76 Holmehorpe Avenue, Holmehorpe Industrial Estate,  
 Redhill, Surrey, RH1 2PF, England, UK  
 Tel: 01737-771375 Fax: 01737-766012 Website: www.cliffuk.co.uk

DIMENSIONS IN MILLIMETERS UNLESS OTHERWISE STATED. WORK TO DIMENSIONS. REMOVE ALL BURRS. IF IN DOUBT ASK.

MATERIAL: SEE PART DRAWINGS  
 FINISH: CLEAN  
 DRAWN: NUB APPROVED: RWT

TITLE: CLIFFCON JUMBO JACK 1/4" MONO JACK PLUG  
 DRWG. No. **CL 2075** FORM: AADRWH

THE CONTENTS OF THIS DOCUMENT MUST NOT BE COPIED OR DISCLOSED TO A 3rd PARTY WITHOUT WRITTEN PERMISSION OF CLIFF UK. © 2012

## X-ON Electronics

Largest Supplier of Electrical and Electronic Components

*Click to view similar products for [DC Power Connectors](#) category:*

*Click to view products by [Cliff](#) manufacturer:*

Other Similar products are found below :

[1600206-1](#) [163-0301-EX](#) [163-0302](#) [163-0308-EX](#) [163-0310-EX](#) [163-1061-EX](#) [163-1100-EX](#) [163-4024](#) [163-4117-EX](#) [163-4118-EX](#) [163-5005-E](#) [163-7421](#) [163-MJ22-EX](#) [171-0721-EX](#) [171-0725-EX](#) [171-3118-EX](#) [171-3210-E](#) [171-3221-EX](#) [171-3222-EX](#) [171-A1326-EX](#) [173-23507-ST-EX](#) [173-5521TIP-EX](#) [173-6330TIP-EX](#) [KLDVX-SMT-02-ATR](#) [KLDX-0201-AHT-1](#) [KLDX-0202-AHT](#) [KLDX-SMT-0202-BP](#) [KLDX-SMT-0202-BPTR](#) [163-0179-EX](#) [163-0307-E](#) [163-0309-EX](#) [163-4007-EX](#) [163-4015-EX](#) [163-4025](#) [163-4119-E](#) [163-4303-E](#) [16PJ101-EX](#) [171-0702-EX](#) [171-0722-E](#) [171-0726-EX](#) [171-2122-EX](#) [171-3216-EX](#) [171-3218-EX](#) [171-3219-EX](#) [171-3220-EX](#) [171-7391](#) [173-3413-ST-EX](#) [173-4017-ST-EX](#) [RAPCBRK](#) [K596](#)