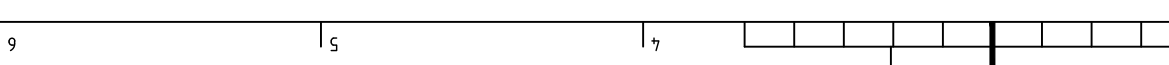
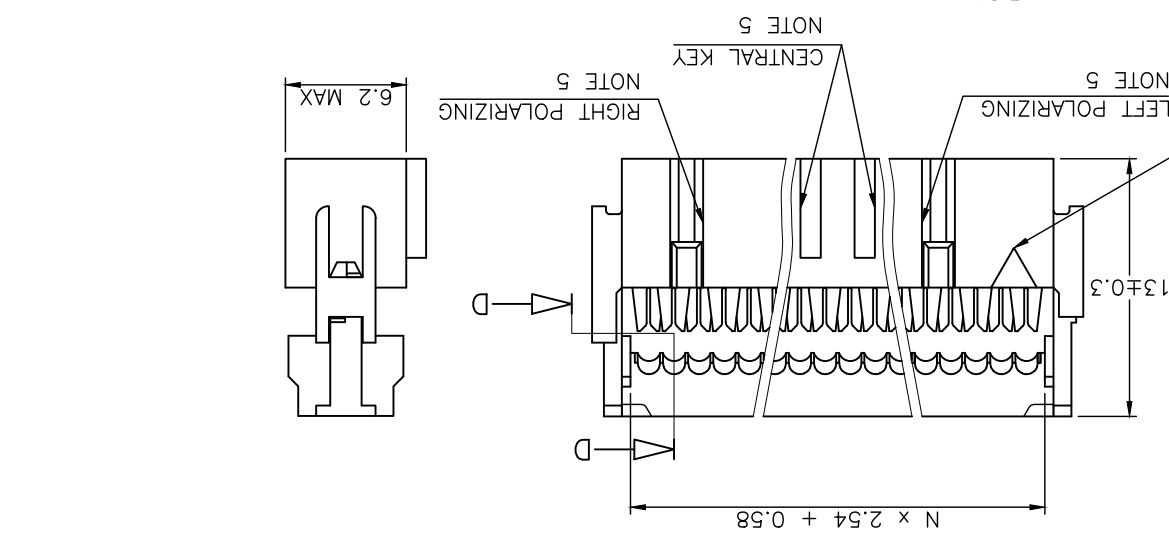
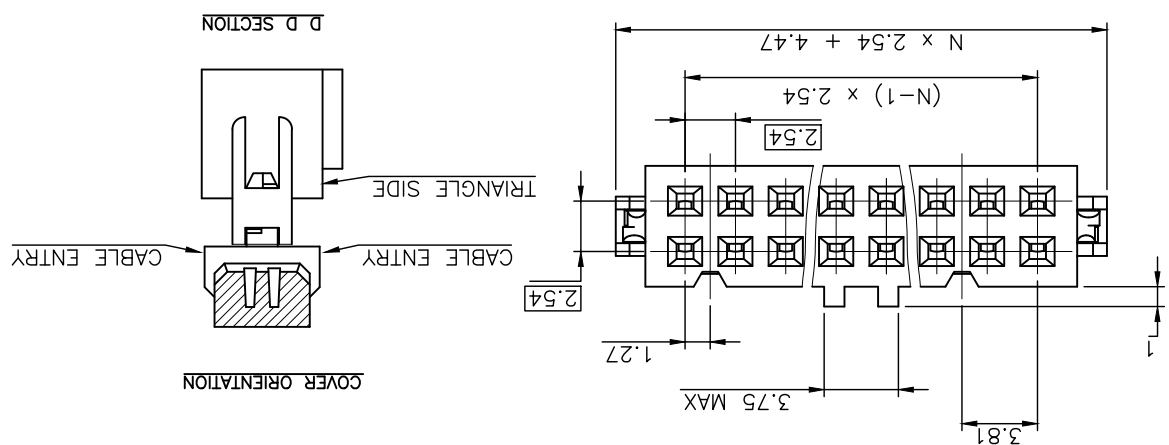


mat'l. code		ISO 1302	surface	tolerance	ISO 406 ISO 1101
SEE NOTES		ISO 1302	surface	tolerance	ISO 406 ISO 1101
litr ecn no	dr	date	tolerances unless otherwise specified		
AP F12-0046	LMU	12.04.25	X.X	±0.3	angles
AR B-17851	LMU	14.06.05	X.XX	±0.13	linear
AS F-26816	LMU	17.06.06	X.XXX	±0.05	scale 5:1
D.L.E		01.01.24	product family		
AL F06-0270		LMU	2.54MM IDC		
AM F06-0274		LMU	title		
AN F09-0233		LMU	QUICKIE III FEM		
revision		AS	0.76µm Au		
sheet		1	type		
index		2	CUSTOMER Drawing		
sheet		1	dwg no		
revision		AS	71600		
sheet		1	sheet 1 of 2 size		
index		2	A3		



- PRODUCT NUMBER 71600-XXXXLF
- LEAD FREE, SEE NOTE 6
  - COLOR OPTION, SEE NOTE 1
  - TOTAL NB OF POSITION 04 TO 64
  - SEE SHEET 2
  - OPTIONAL STRAIN RELIEF
  - SEE SHEET 2
- NOTES:
- HOUSING MATERIAL : GLASS FILLED THERMOPLASTIC. UL94V-0 COLOR: GREY
  - STANDARD COLOR GREY
  - OPTION COLOR BLACK
  - PIN MATERIAL : PHOSPHOR BRONZE
  - PRODUCT PACKAGED IN TUBES.
  - TO DETERMINE DIMENSIONS :  
N = NUMBER OF POSITIONS PER ROW  
EXAMPLE : 8 POS N x 2.54 = 20.32mm
  - 2x5, 2x6, 2x7 HAVE NO LEFT POLARIZING SLOT.
  - 2x2, 2x3 WITH CENTRAL KEY HAVE NO TRIANGLE, NO LEFT AND RIGHT POLARIZING SLOT.
  - 2x2 WITHOUT CENTRAL KEY HAS NO LEFT AND RIGHT POLARIZING SLOT.
  - 2x3, 2x4 WITHOUT CENTRAL KEY HAVE NO LEFT POLARIZING SLOT
  - 2x4 WITH CENTRAL KEY HAVE NO LEFT AND RIGHT POLARIZING SLOT
  - THIS PRODUCT MEETS EUROPEAN UNION DIRECTIVES AND OTHER COUNTRY REGULATIONS AS PER GS-22-008.
  - PACKAGING SPECIFICATION AS PER GS-14-920.



FCIconnect.com

Copyright FCI

form: A3

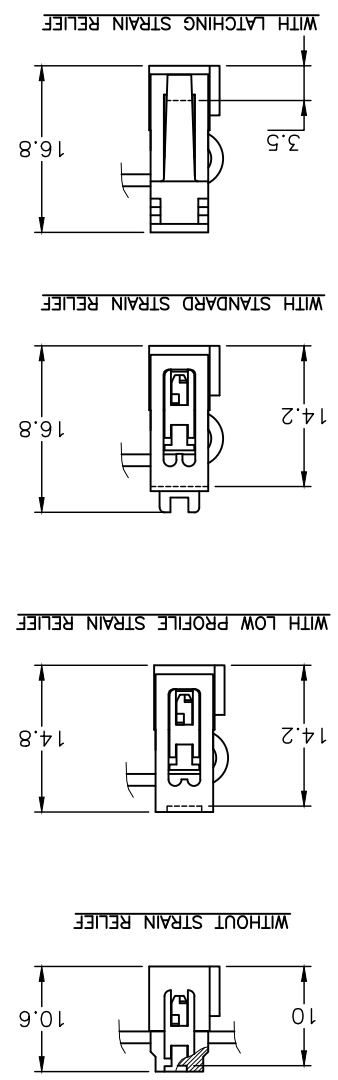
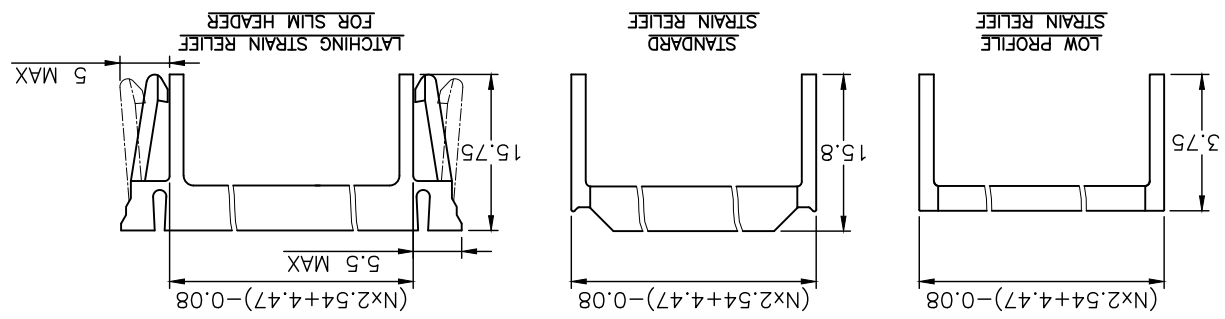
PRODUCT NUMBER	CENTRAL KEY		STRAIN RELIEF		
	WITH	WITHOUT	STANDARD	WITHOUT	LOW PROFILE
71600-6YY(B)LF	●		●		
71600-3YY(B)LF		●			
71600-2YY(B)LF	●			●	
71600-1YY(B)LF	●				●
71600-0YY(B)LF		●			

PDS: Rev:AS STATUS:Released Printed: Jun 07, 2017

mat'l. code		surface		tolerance		projection		product family		title		IDC RECEIPT DR		dwg no		CUSTOMER Drawing		
AB	F03019	DLE	03.01.23	dr	D.LE	01.01.24			QUICKIE	ISO 1302	ISO 406	ISO 1101	ISO 1101	DR	71600	A3	71600	CUSTOMER Drawing
AF	B-17851	LMU	14.06.05	date					QUICKIE					DR	71600	A3	71600	CUSTOMER Drawing
AG	F-26816	LMU	17.06.06	date					QUICKIE					DR	71600	A3	71600	CUSTOMER Drawing
AD	F06-027Q	LMU	06.09.12	chr	J.F.N	01.01.24			QUICKIE					DR	71600	A3	71600	CUSTOMER Drawing
AE	F06-0274	LMU	06.09.25	appd	P.N.Z	01.01.24			QUICKIE					DR	71600	A3	71600	CUSTOMER Drawing

STRAIN RELIEF OPTION	Nbr OF POSITIONS	PLATING	
		0.76µm GOLD ON CONTACT AREA	1.27 µm Ni REMAINDER OF PRODUCT
1/6	04		
0/1/2/3/6	06		
0/1/2/3/6	08		
0/1/2/3/6	10		
0/1/2/3/6	14		
0/1/2/3/6	16		
0/1/2/3/6	18		
0/1/2/3/6	20		
0/1/3	24		
0/1/2/3/6	26		
0/1/2/3/6	30		
0/1/2/3/6	34		
0/1/2/3/6	40		
0/1/2/3/6	50		
0/1/2/3/6	60		
0/1/2/3/6	64		

DASHES NOT AVAILABLE
624
304
204 / 224
004



6 5 4 3 2 1 A B C D

## X-ON Electronics

Largest Supplier of Electrical and Electronic Components

*Click to view similar products for [Headers & Wire Housings](#) category:*

*Click to view products by [FCT Electronics](#) manufacturer:*

Other Similar products are found below :

[95000-104TRLF](#) [10135584-644402LF](#) [DF62W-EP2022PCA](#) [95000-106TRLF](#) [DF62W-2022SCA](#) [DF62W-EP2022PC](#) [2203348](#) [DF62W-2022SC](#) [1084018](#) [1029039](#) [1084017](#) [802-10-012-10-002000](#) [1112640](#) [1112639](#) [891-007-9SS-BST1T](#) [000-34000](#) [0008550134](#) [0009482033](#) [0009507031](#) [57102-F02-18ULF](#) [57102-S06-03LF](#) [57202-S52-04LF](#) [PCN6-15S-2.5E](#) [0039019024](#) [58102-G61-06LF](#) [582553-1](#) [0009485154](#) [0009508121](#) [0022285053](#) [0050291907](#) [018731A](#) [LY20-4P-DT1-P1E-BR](#) [02.125.8002.8](#) [60101931](#) [60598-1 \(Cut Strip\)](#) [M1625-3R/100](#) [61062-3](#) [61082-181009](#) [CSU011177004](#) [636-1427](#) [638009-1](#) [641938-9](#) [641991-4](#) [644168-1](#) [644827-2](#) [647662-1](#) [65039-019ELF](#) [65692-001LF](#) [65781-018](#) [65781-047](#)