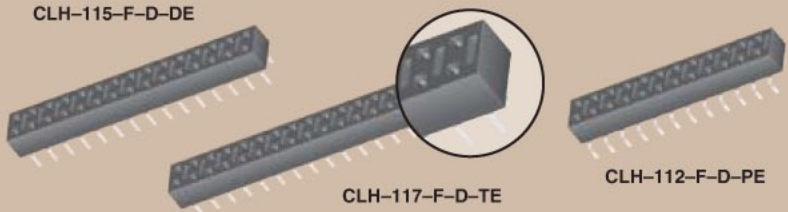


(2,54mm) .100"

CLH SERIES



THROUGH-HOLE LOW PROFILE SOCKET

SPECIFICATIONS

For complete specifications and recommended PCB layouts see www.samtec.com?CLH

Insulator Material:

Black Liquid Crystal Polymer



Contact Material:

Phosphor Bronze

Operating Temp Range:

-65°C to +125°C with Gold
-65°C to +105°C with Tin

Plating:

Au or Sn over

50µ" (1,27µm) Ni

Contact Resistance:

10 mΩ max

Insertion Depth:

(2,67mm) .105" to

(3,43mm) .135"

plug from top, (3,18mm) .125"

min plus board thickness plug from bottom

Insertion Force:

4.0oz (1,11N) average

Normal Force:

50 grams (0,48N)

Withdrawal Force:

1.1oz (0,31N) average

Max Cycles:

100 with 10µ" (0,25µm) Au

RoHS Compliant:

Yes

Processing:

Lead-Free Solderable:

Yes



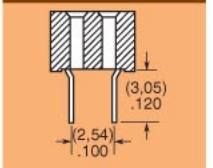
Mates with:
TSW, MTSW, HTSW,
HMTSW, DW, EW, ZW,
TLW, TSM, MTLW

-F
= Pre-plated Gold flash on contact,
75µ" (1,91µm) Matte Tin on tail

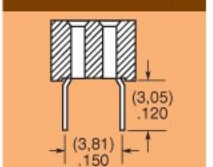
-L
= Pre-plated 10µ" (0,25µm)
Gold on contact,
75µ" (1,91µm) Matte Tin on tail

Note: Other Gold plating options available. Contact Samtec.

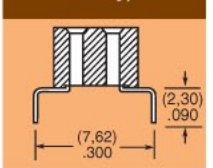
-TE
= Top Entry



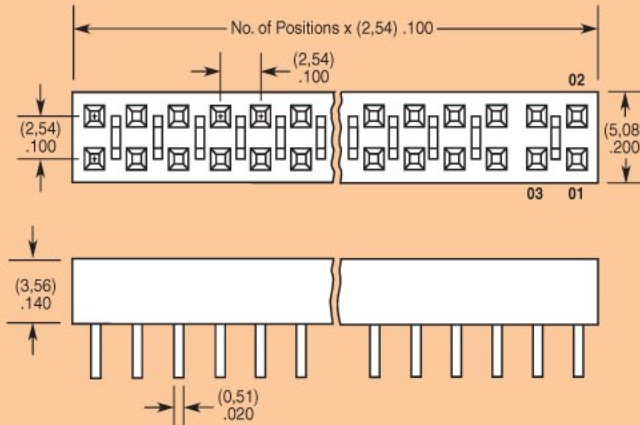
-DE
= Dual Entry (Top or Bottom Entry)
Cannot be used with plated through-holes for bottom entry.



-PE
= Pass-Through (Top or Bottom Entry)



02 thru 50



Note: Some lengths, styles and options are non-standard, non-returnable.

Due to technical progress, all designs, specifications and components are subject to change without notice.

WWW.SAMTEC.COM

X-ON Electronics

Largest Supplier of Electrical and Electronic Components

Click to view similar products for [Headers & Wire Housings](#) category:

Click to view products by [Samtec](#) manufacturer:

Other Similar products are found below :

[95000-104TRLF](#) [10135584-644402LF](#) [DF62W-EP2022PCA](#) [95000-106TRLF](#) [DF62W-2022SCA](#) [DF62W-EP2022PC](#) [2203348](#) [DF62W-2022SC](#) [1084018](#) [1029039](#) [1084017](#) [802-10-012-10-002000](#) [1112640](#) [1112639](#) [000-34000](#) [0009482033](#) [0009507031](#) [57102-S06-03LF](#) [57202-S52-04LF](#) [PCN6-15S-2.5E](#) [0039019024](#) [58102-G61-06LF](#) [582553-1](#) [0009485154](#) [0009508121](#) [0022285053](#) [0050291907](#) [018731A](#) [LY20-4P-DT1-P1E-BR](#) [02.125.8002.8](#) [60101931](#) [60598-1 \(Cut Strip\)](#) [M1625-3R/100](#) [61062-3](#) [61082-181009](#) [636-1427](#) [638009-1](#) [641938-9](#) [641991-4](#) [644168-1](#) [647662-1](#) [65039-019ELF](#) [65781-047](#) [65817-002LF](#) [65817-015LF](#) [65863-015LF](#) [66207-023LF](#) [67016-026LF](#) [67046-001LF](#) [67095-007LF](#)