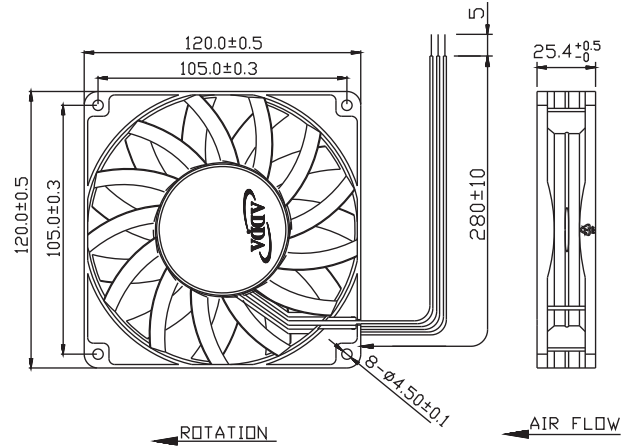




# AS12025 SERIES

## External Dimensions



Frame:Plastic(UL:94V-0)  
 Impeller:Plastic(UL:94V-0)  
 Lead wire:UL1007AWG24

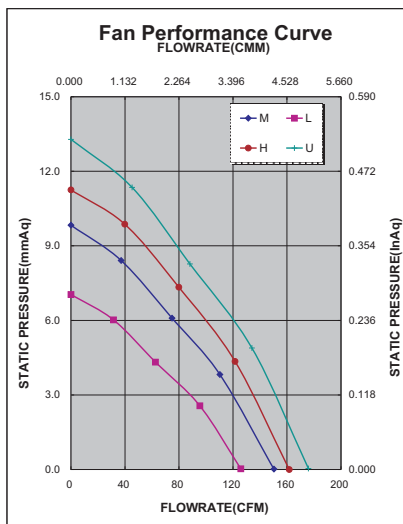
## Specifications(Nominal)

\*:Noise is measured at the distance of one (1) meter from the axis of intake.

Bearing type: ◎=Ball ※=Sleeve ●=Hypro bearing

Frame size (mm)	Model No.	Bearing System Type	Rated Voltage (VDC)	Current (A)	Power (W)	Rated Speed (rpm)	Maximum AirFlow (CMM)	Maximum AirFlow (CFM)	Maximum Pressure (InAq)	Maximum Pressure (mmAq)	*Noise Level (dB/A)	Weight (g)
120x120x25	AS12012LB25AB00	◎	12	0.66	7.92	2900	3.560	125.817	0.277	7.035	51.0	220.0
	AS12012MB25AB00	◎	12	0.84	10.08	3400	4.266	150.766	0.387	9.829	54.7	
	AS12012HB25AB00	◎	12	1.06	12.72	3700	4.570	161.505	0.443	11.252	57.8	
	AS12012UB25AB00	◎	12	1.42	17.04	4000	4.977	175.895	0.523	13.284	58.6	
	AS12024LB25AB00	◎	24	0.28	6.72	2900	3.560	125.817	0.277	7.035	51.0	
	AS12024MB25AB00	◎	24	0.43	10.32	3400	4.266	150.766	0.387	9.829	54.7	
	AS12024HB25AB00	◎	24	0.55	13.20	3700	4.570	161.505	0.443	11.252	57.8	
	AS12024UB25AB00	◎	24	0.71	17.04	4000	4.977	175.895	0.523	13.284	58.6	
	AS12048LB25AB00	◎	48	0.17	8.16	2900	3.560	125.817	0.277	7.035	51.0	
	AS12048MB25AB00	◎	48	0.23	11.04	3400	4.266	150.766	0.387	9.829	54.7	
AS12048HB25AB00	◎	48	0.30	14.40	3700	4.570	161.505	0.443	11.252	57.8		
AS12048UB25AB00	◎	48	0.37	17.76	4000	4.977	175.895	0.523	13.284	58.6		

Specifications subject to change without notice.



\*Motor protective circuit and third lead wire functions

0	1	2	3	4	6	7	8	9	A	B
	✓		✓					✓		✓

\*Safety approvals

✓	✓		✓	✓