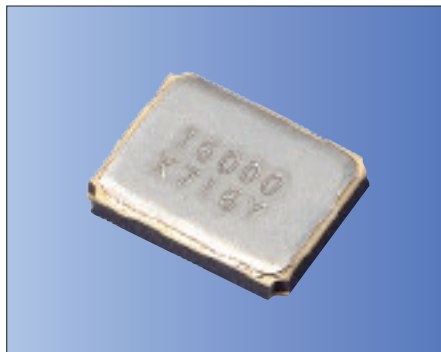


3.2x2.5mm for Consumer Products/ Mobile Communications/ Automotive



RoHS Compliant

Features

- Crystal unit for Consumer Products
- Miniature and low profile (3.2x2.5x0.55mm)
- Ceramic package
- Reflow compatible
- AEC-Q200 qualified
(Please contact us for Automotive use)

Applications

- Digital Electronics
- Consumer Products
- Car Electronics
- Mobile Communications, Bluetooth®, Wireless LAN

* Bluetooth® Trademarks are owned by Bluetooth SIG Inc.

How to Order

CX3225SB 12000

- ① Series
- ② Frequency
- ③ Load Capacitance
- ④ Frequency Tolerance
- ⑤ Operating Temp. Range
- ⑥ Frequency Temp. Stability
- ⑦ Individual Specification

D0	8 pF	G	±15×10 ⁻⁶
EJ	-10 to +70°C		±15×10 ⁻⁶
LJ	-30 to +85°C		±15×10 ⁻⁶
PS	-40 to +125°C		±50×10 ⁻⁶

Packaging (Tape & Reel 1000/ 3000 pcs./ reel)

Specifications

Item	Symbol	Specification	Units	Remarks
Frequency Range	f _{nom}	12000 to 54000	kHz	
Overtone Order	OT	Fundamental	—	
Load Capacitance	CL	8	pF	Please contact us for other Load Capacitance.
Frequency Tolerance	f _{tol}	±15	×10 ⁻⁶	25°C±3°C
Motional Series Resistance	R1	Table 1	ohm	
Drive Level	DL	Table 2	μW	
Operating Temp. Range	T _{use}	-10 to +70 -30 to +85 -40 to +125	°C	
Storage Temp. Range	T _{stg}	-40 to +85 -40 to +125	°C	
Frequency Temp. Characteristics	f _{tem}	±15 ±50	×10 ⁻⁶	Freq. deviation from the value at 25°C

Please contact us for other specifications.

Table1 Motional Series Resistance

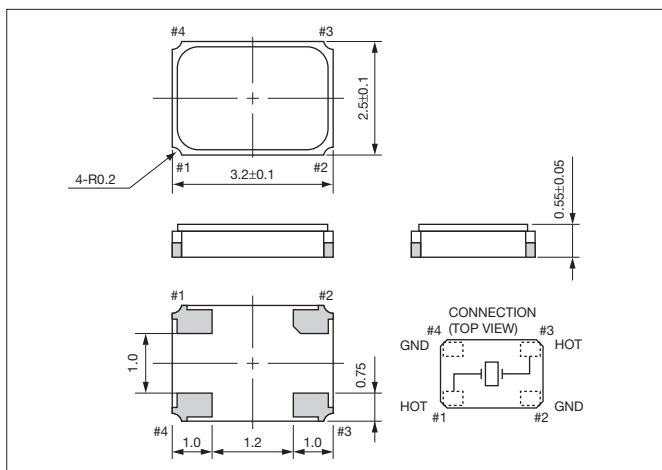
Frequency Range	Motional Series Resistance
12000 ≤ f _{nom} < 13000 kHz	150Ω max.
13000 ≤ f _{nom} < 20000 kHz	80Ω max.
20000 ≤ f _{nom} ≤ 54000 kHz	50Ω max.

Table2 Level of Drive

Frequency Range	Level of Drive
12000 ≤ f _{nom} ≤ 54000 kHz	10μW (100μW max.)

Dimensions

(Unit: mm)



Recommended Land Pattern

(Unit: mm)

