

RoHS Compliant

### Features

- Ultra-miniature SMD type (2.0×1.6×0.8mm)
- Freq. temp. chrst. :  $\pm 0.5 \times 10^{-6} / -30$  to  $+85^\circ\text{C}$
- 1.7 to 3.6V drive available
- Reflow compatible
- Disable Function (Option)

### Applications

- GPS Unit

### How to Order

KT2016A 26000 A C W 28 T xx  
① ② ③ ④ ⑤ ⑥ ⑦ ⑧

① Series	⑥ Supply Voltage
② Output Frequency	⑦ Voltage Control Range
③ Freq. Temp. Chrst.	⑧ Option Code
A $\pm 0.5 \times 10^{-6}$	18 1.8V 28 2.8V
C $-30^\circ\text{C}$	T TCXO
E $-20^\circ\text{C}$	
G $-10^\circ\text{C}$	
⑤ Upper Operating Temp.	
W $+85^\circ\text{C}$	
V $+80^\circ\text{C}$	
U $+75^\circ\text{C}$	

Packaging (Tape & Reel 4000 pcs./ reel)

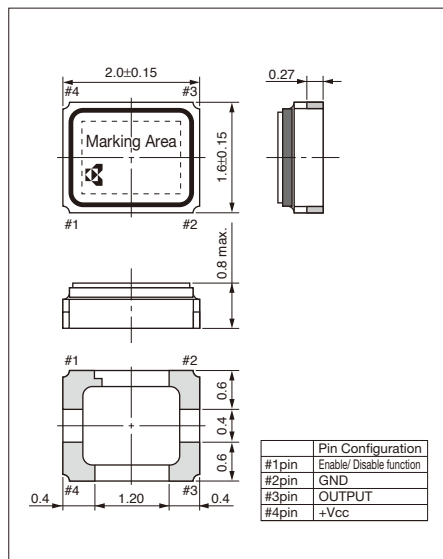
### Specifications

Item	Symbol	Conditions	Min.	Max.	Units
Output Frequency Range	fo	Standard Frequency: 16.368, 16.369, 19.2, 26, 27.456, 33.6	—	—	MHz
Frequency Tolerance	f <sub>tol</sub>	vs Temperature	-0.5	+0.5	$\times 10^{-6}$
		vs Load	-0.1	+0.1	
		vs Voltage	-0.2	+0.2	
Frequency Aging	f <sub>age</sub>	Per Year	-1	+1	$\times 10^{-6}$
Storage Temperature Range	T <sub>stg</sub>		-40	+85	$^\circ\text{C}$
Operating Temperature Range	T <sub>use</sub>		-30	+85	$^\circ\text{C}$
Supply Voltage	V <sub>CC</sub>		1.7	3.6	V
Output Level	V <sub>pp</sub>	Clipped Sine*, Load: 10k ohm // 10pF	0.8	—	Vp-p
Current Consumption	I <sub>CC</sub>		—	2	mA
Harmonics	—		—	-5	dBc

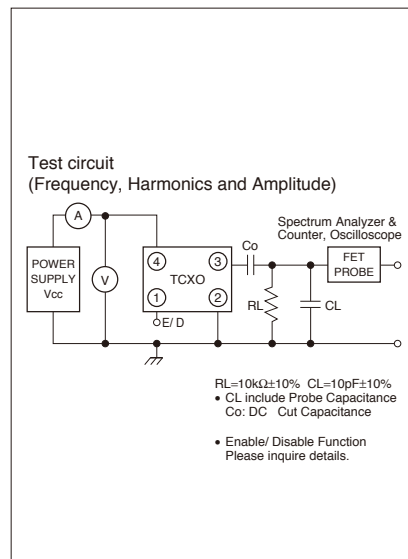
\* : A DC-cut capacitor is not embedded in this crystal oscillator. Connect a DC-cut capacitor ( $\geq 1\text{nF}$ ) to the line-out terminal of the oscillator.

### Dimensions

(Unit: mm)



### Test Circuit



### Recommended Land Pattern

(Unit: mm)

