

**ELCO**  
**Series 8005/8015**

# Series 8005



## 2 Position Miniature IDC Wire to Board Connector

Series 8005 is a super compact 2 pin Wire to Board connector designed for high density mounting. This is best suited for miniaturization of hand held devices including mobile phones, Notebook PC, PDA terminals, etc. The wire

to board applications include microphones, vibration motors, speakers and LEDs. The connector features a positive audible locking mechanism suitable for environments with high shock and vibration.

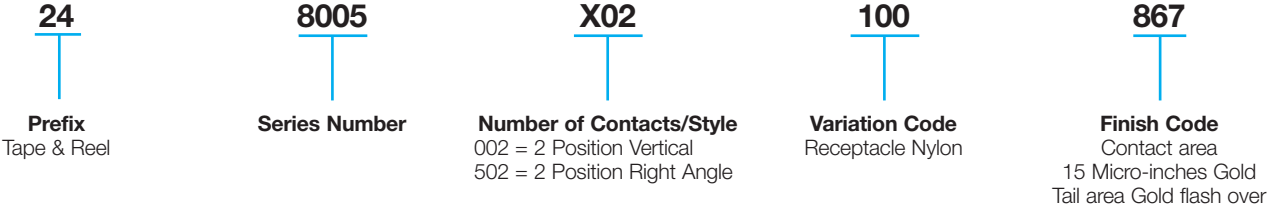
### SPECIFICATIONS

|                                 |               |
|---------------------------------|---------------|
| Number of Contact               | 2             |
| Contact Spacing                 | 1.27 mm       |
| Current Rating                  | 1 Amp. Max.   |
| Voltage Rating                  | 30V Max.      |
| Dielectric Withstanding Voltage | 500V rms/min. |
| Operating Temperature           | -55 to +85°C  |

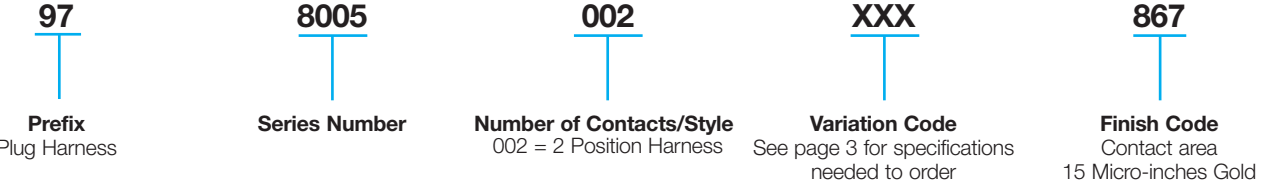
### MATERIAL/FINISH

|               |          |                          |
|---------------|----------|--------------------------|
| Insulator     | Plug     | Nylon UL 94V-2           |
|               | Rec.     | Nylon UL 94V-0           |
| Contact       | Plug     | Phosphor Bronze          |
|               | Rec.     | Copper Alloy             |
| Strain Relief | Finish / | Gold over Nickel         |
|               |          | Phosphor Bronze/Tin Lead |

### HOW TO ORDER RECEPTACLE



### HOW TO ORDER PLUG HARNESS



Contact Sales Office to order Harness Assembly or Tooling  
 Plug Individual Part Number for Harness.

Insulator: 61 8005 002 000 000 - AWG 32

Insulator: 61 8005 002 001 000 - AWG 30

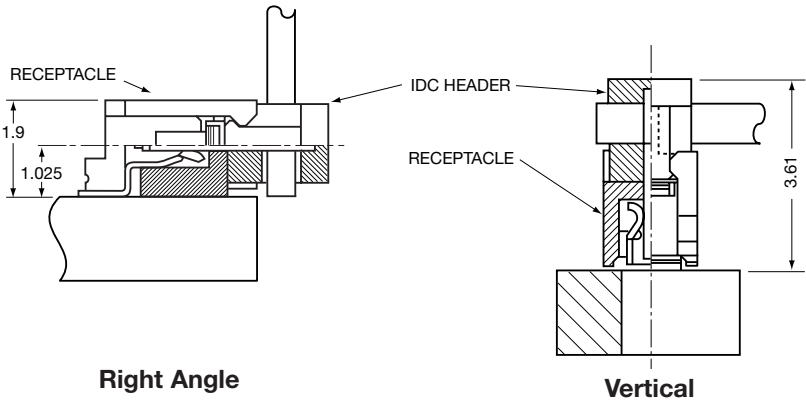
Ordering quantity 14 pieces per strip.

Contact: 71 8005 999 000 867 - AWG 32

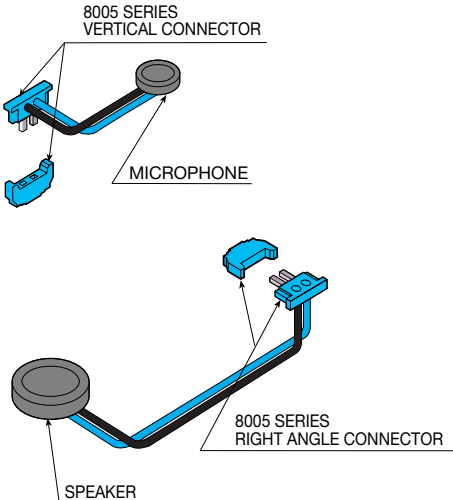
Contact: 71 8015 999 000 867 - AWG 30

Ordering quantity 100,000 pieces per reel.

### MATING CONDITION



### MOUNTING OPTIONS



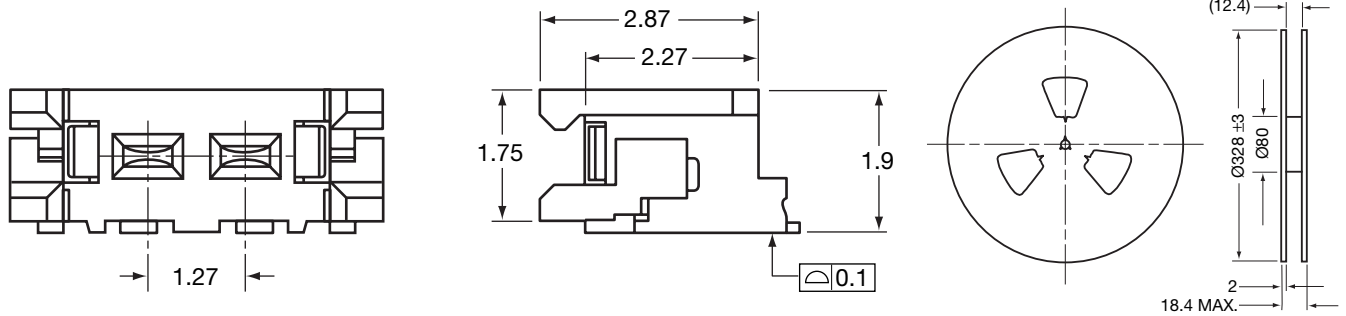
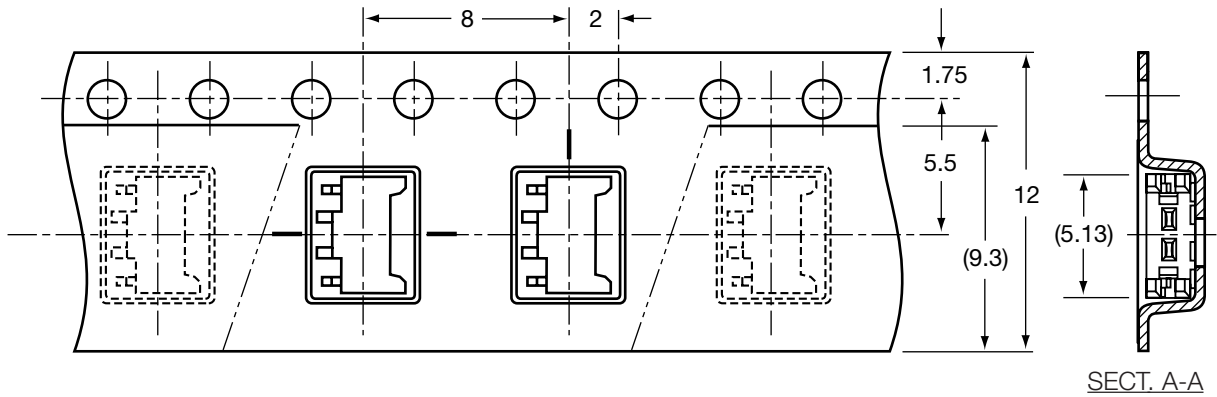
# Series 8005



## 2 Position Miniature IDC Wire to Board Connector

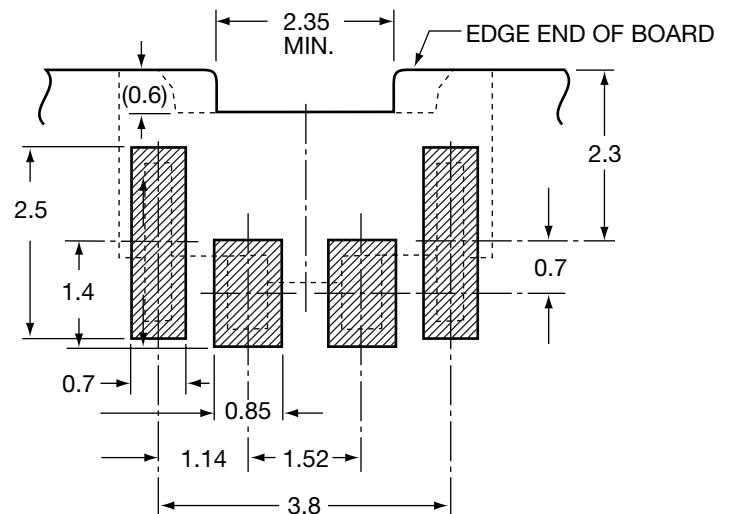
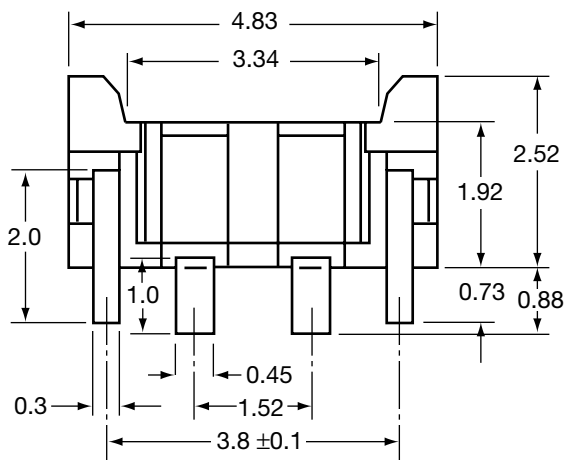
RECEPTACLE, RIGHT ANGLE

24 8005 502 100 867



REEL DIMENSIONS

Qty: 3000 pcs/reel



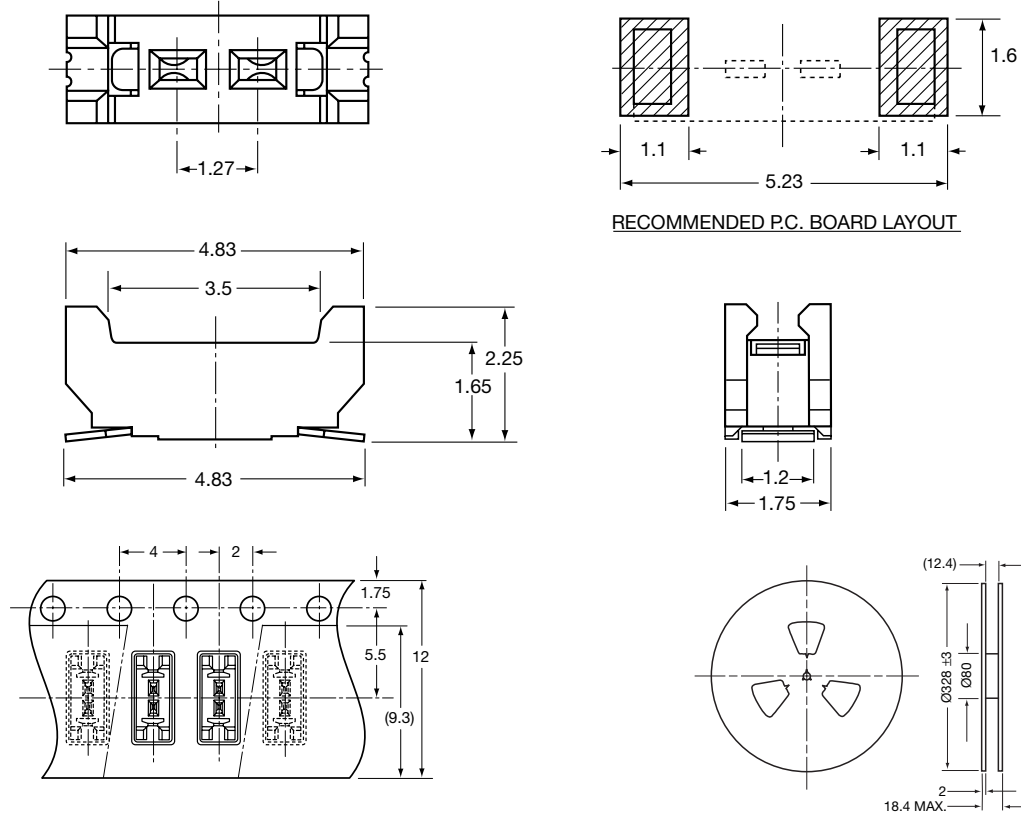
RECOMMENDED P.C. BOARD LAYOUT

# Series 8005



## 2 Position Miniature IDC Wire to Board Connector

### RECEPTACLE, VERTICAL 24 8005 002 100 867

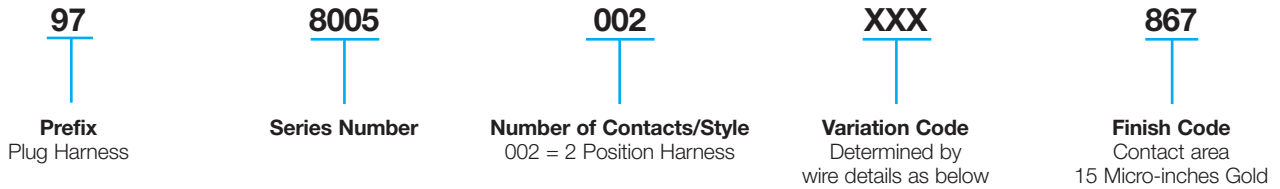


RECOMMENDED P.C. BOARD LAYOUT

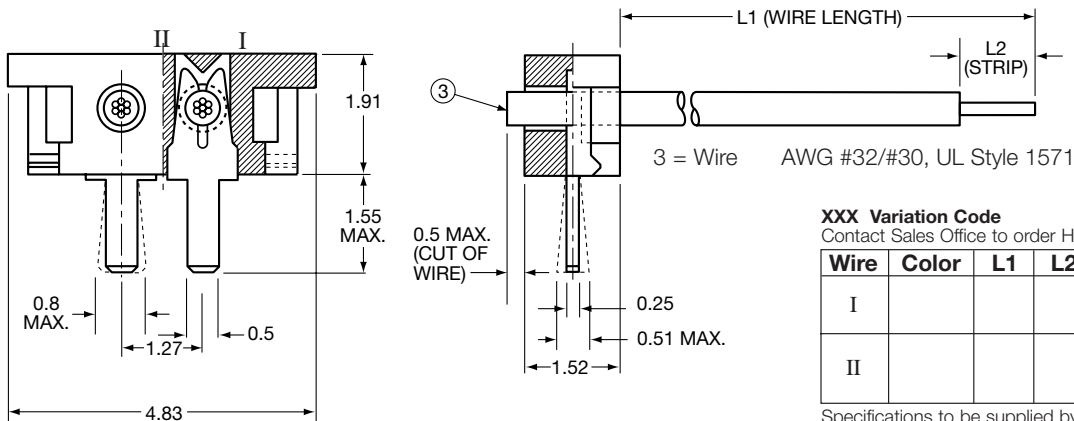
REEL DIMENSIONS

Qty: 6000 pcs/reel

### HOW TO ORDER PLUG HARNESS ASSEMBLY



### PLUG, HARNESS ASSEMBLY



**XXX Variation Code**  
Contact Sales Office to order Harness Assembly

| Wire | Color | L1 | L2 | AWG |
|------|-------|----|----|-----|
| I    |       |    |    |     |
| II   |       |    |    |     |

Specifications to be supplied by customer.  
32 AWG is the preferred option.  
Wire size must be same as I and II.

# Series 8015

## 2 Position Miniature IDC Wire to Board with Polarization Connector



Series 8015 is a super compact 2 pin Wire to Board connector designed for high density mounting. This is best suited for miniaturization of hand held devices including mobile phones, Notebook PC, PDA terminals, etc. The wire to board applications include microphones, vibration

motors, speakers and LEDs. The connector features a positive audible locking mechanism suitable for environments with high shock and vibration. The connector is physically polarized to assist mating. It is also offered in 3 different colors for additional color polarization.

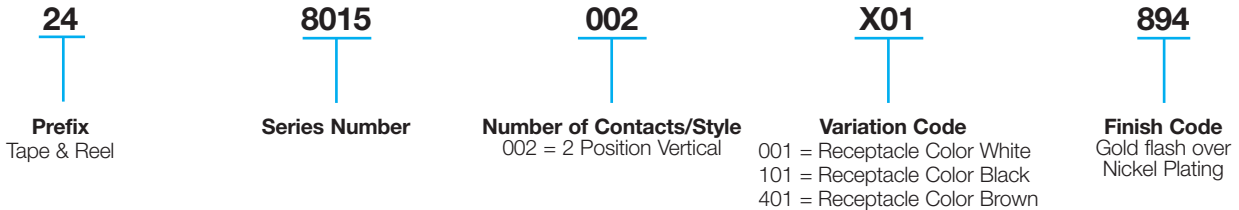
### SPECIFICATIONS

|                                 |               |
|---------------------------------|---------------|
| Number of Contact               | 2             |
| Contact Spacing                 | 1.27 mm       |
| Current Rating                  | 1 Amp./pin    |
| Voltage Rating                  | 30V           |
| Dielectric Withstanding Voltage | 500V rms/min. |
| Operating Temperature           | -55 to +80°C  |

### MATERIAL/FINISH

|           |          |                  |
|-----------|----------|------------------|
| Insulator | Plug     | Nylon UL 94V-0   |
|           | Rec.     | Nylon UL 94V-0   |
| Contact   | Plug     | Phosphor Bronze  |
|           | Rec.     | Copper Alloy     |
|           | Finish / | Gold over Nickel |

### HOW TO ORDER RECEPTACLE



### HOW TO ORDER PLUG HARNESS



Contact Sales Office to order Harness Assembly or Tooling  
Plug Individual Part Number for Harness.

Insulator: 61 8015 002 000 00X

Color Code (Option) \_\_\_\_\_

- 0 = Standard = Natural (White)
- 1 = Black
- 4 = Brown

Ordering quantity 14 pieces per strip.

Contact: 71 8015 999 000 894

Ordering quantity 100,000 pieces per reel.

# Series 8015

## 2 Position Miniature IDC Wire to Board with Polarization Connector



### MATING CONDITION

#### CORRECT MATING

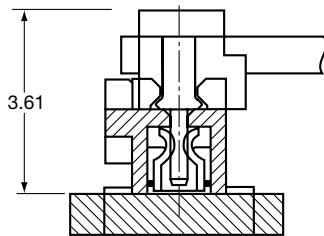


Figure A

#### INCORRECT MATING

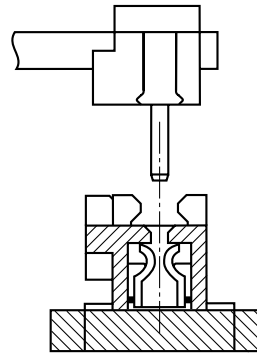


Figure B

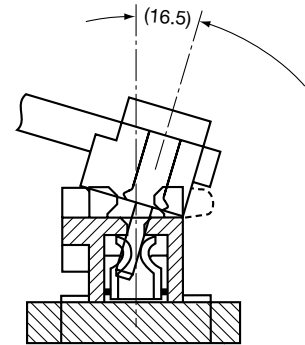
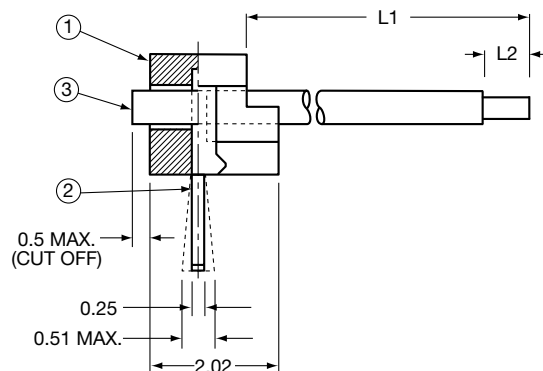
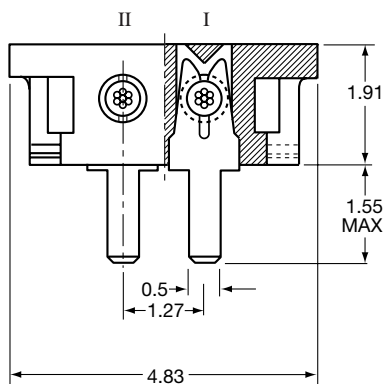


Figure C

Figure A shows if polarization of harness to receptacle is correct then mating is achieved.  
 Figure B/C shows if polarization of harness to receptacle is incorrect then full mating is not possible.  
 Polarization key reject to mate until the locking finger has been broken

### HOW TO ORDER PLUG HARNESS ASSEMBLY

|                               |                      |   |  |  |
|-------------------------------|----------------------|---|--|--|
| <b>97</b>                     | <b>8015</b>          | <b>002</b>  | <b>XXX</b>   | <b>894</b>   |
|                               |                      |   |  |  |
| <b>Prefix</b><br>Plug Harness | <b>Series Number</b> | <b>Number of Contacts/Style</b><br>002 = 2 Position Harness | <b>Variation Code</b><br>Determined by wire details as below | <b>Finish Code</b><br>Gold flash over Nickel plating |



**XXX Variation Code**  
 Contact Sales Office to order Harness Assembly

| Wire | Color | L1 | L2 |
|------|-------|----|----|
| I    |       |    |    |
| II   |       |    |    |

Specifications to be supplied by customer.  
 Wire size must be same as I and II.

1 = Insulator    61 8015 002 000 00X  
 X = Color Code (Option) \_\_\_\_\_  
 0 = Standard = Natural (White)  
 1 = Black  
 4 = Brown  
 2 = Contact    71 8015 999 000 894  
 3 = Wire    AWG #30, UL Style 1571

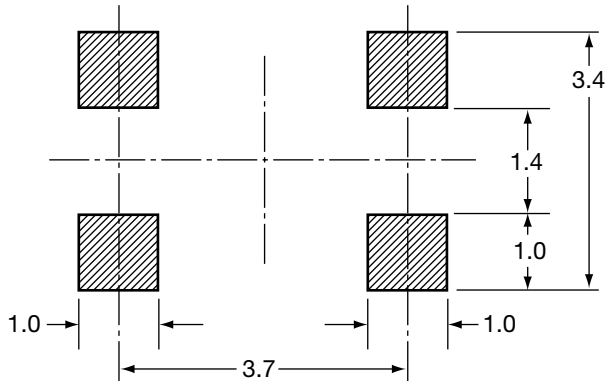
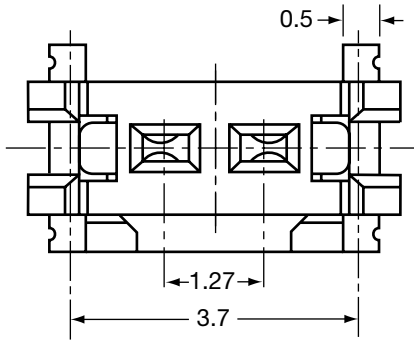
# Series 8015

## 2 Position Miniature IDC Wire to Board with Polarization Connector

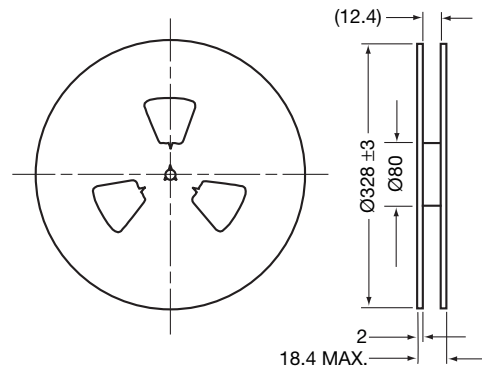
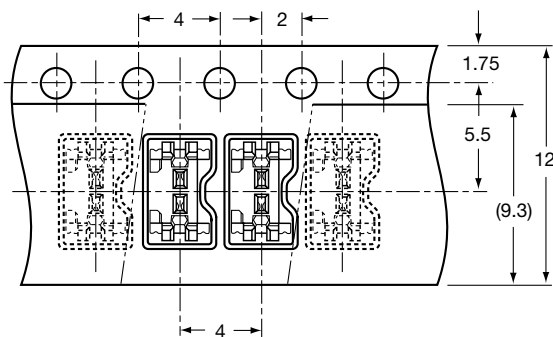
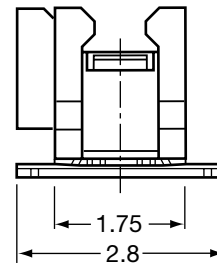
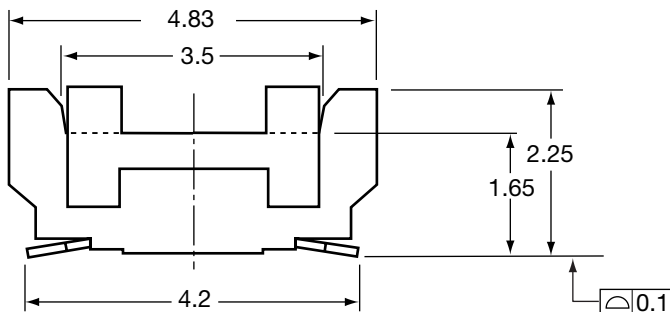


RECEPTACLE, VERTICAL 24 8015 002 X01 894

X = Color Code  
 0 = White  
 1 = Black  
 4 = Brown



RECOMMENDED P.C. BOARD LAYOUT



REEL DIMENSIONS

Qty: 6000 pcs/reel

## USA

**AVX Myrtle Beach, SC**  
Corporate Offices  
Tel: 843-448-9411  
FAX: 843-448-1943

**AVX North Central, IN**  
Tel: 317-848-7153  
FAX: 317-844-9314

**AVX Southwest, AZ**  
Tel: 480-539-1496  
FAX: 480-539-1501

**AVX Southeast, GA**  
Tel: 404-608-8151  
FAX: 770-972-0766

**AVX Northwest, WA**  
Tel: 360-699-8746  
FAX: 360-699-8751

**AVX Mid/Pacific, MN**  
Tel: 952-974-9155  
FAX: 952-974-9179

**AVX South Central, TX**  
Tel: 972-669-1223  
FAX: 972-669-2090

**AVX Canada**  
Tel: 905-564-8959  
FAX: 905-564-9728

## EUROPE

**AVX Limited, England**  
European Headquarters  
Tel: ++44 (0) 1252-770000  
FAX: ++44 (0) 1252-770001

**AVX/ELCO, England**  
Tel: ++44 (0) 1638-675000  
FAX: ++44 (0) 1638-675001

**AVX S.A., France**  
Tel: ++33 (1) 69-18-46-00  
FAX: ++33 (1) 69-28-73-87

**AVX GmbH, Germany**  
Tel: ++49 (0) 8131-9004-0  
FAX: ++49 (0) 8131-9004-44

**AVX srl, Italy**  
Tel: ++390 (0)2 614-571  
FAX: ++390 (0)2 614-2576

**AVX Czech Republic**  
Tel: ++420 (0) 465-358-111  
FAX: ++420 (0) 465-323-010

## ASIA-PACIFIC

**AVX/Kyocera, Singapore**  
Asia-Pacific Headquarters  
Tel: (65) 6286-7555  
FAX: (65) 6488-9880

**AVX/Kyocera, Hong Kong**  
Tel: (852) 2-363-3303  
FAX: (852) 2-765-8185

**AVX/Kyocera, Korea**  
Tel: (82) 2-785-6504  
FAX: (82) 2-784-5411

**AVX/Kyocera, Taiwan**  
Tel: (886) 2-2698-8778  
FAX: (886) 2-2698-8777

**AVX/Kyocera, Malaysia**  
Tel: (60) 4-228-1190  
FAX: (60) 4-228-1196

**Elco, Japan**  
Tel: 045-943-2906/7  
FAX: 045-943-2910

**Kyocera, Japan - AVX**  
Tel: (81) 75-604-3426  
FAX: (81) 75-604-3425

**Kyocera, Japan - KDP**  
Tel: (81) 75-604-3424  
FAX: (81) 75-604-3425

**AVX/Kyocera, Shanghai, China**  
Tel: 86-21 6886 1000  
FAX: 86-21 6886 1010

**AVX/Kyocera, Tianjin, China**  
Tel: 86-22 2576 0098  
FAX: 86-22 2576 0096

**Contact:**

