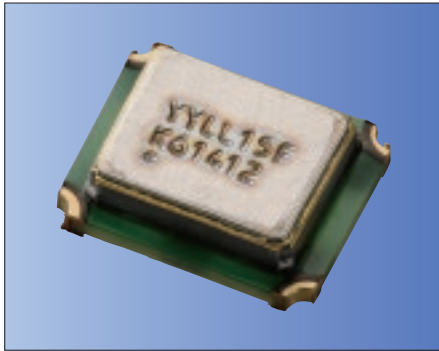


2.5×2.0mm



RoHS Compliant

Features

- Miniature SMD type (2.5×2.0×0.8mm)
- Freq. temp. characteristics. : ±0.5×10⁻⁶/ -30 to +85°C
- 1.68 to 3.6V drive available
- Reflow compatible
- Disable Function (Option)
- Lower Operating Temp. -40°C (Option)
- AFC Function (Option)
- Ultra low supply current 600µA typ. Conditions of 26MHz and 0.4Vp-p (Option)

Applications

- GPS Units

How to Order

KT2520K 26000 A C W 18 T xx
 ① ② ③ ④ ⑤ ⑥ ⑦ ⑧

- ① Series
 - ② Output Frequency
 - ③ Freq. Temp. Chrst.
 - ④ Lower Operating Temp.
 - ⑤ Upper Operating Temp.
 - ⑥ Supply Voltage
 - ⑦ Voltage Control Function
 - ⑧ Option Code
- | | |
|---|-----------------------|
| A | ±0.5×10 ⁻⁶ |
| C | -30°C |
| E | -20°C |
| G | -10°C |
| W | +85°C |
| V | +80°C |
| U | +75°C |
- | | | | |
|----|------|----|------|
| 18 | 1.8V | 28 | 2.8V |
| T | TCXO | | |

Packaging (Tape & Reel 12000 pcs./ reel)

Specifications

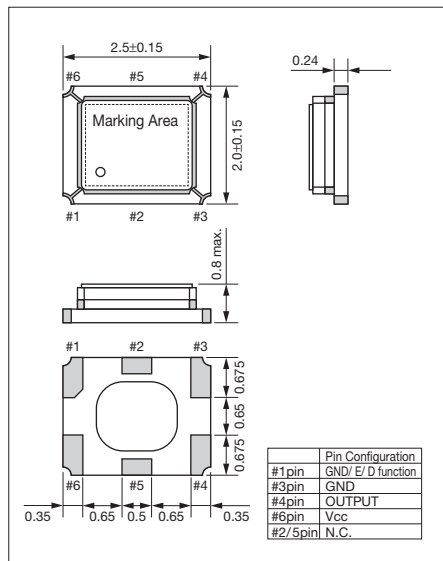
Item	Symbol	Conditions	Min.	Max.	Units
Output Frequency Range	f _o	Standard Frequency: 16.368, 16.369, 19.2, 23.104, 26, 27.456, 33.6, 38.4	10	52	MHz
Frequency Tolerance	f _{tol}	vs Temperature	-0.5	+0.5	×10 ⁻⁶
		vs Load	-0.1	+0.1	
		vs Voltage	-0.2	+0.2	
Frequency Aging	f _{age}	Per Year	-1	+1	×10 ⁻⁶
Storage Temperature Range	T _{stg}		-40	+85	°C
Operating Temperature Range	T _{use}		-30	+85	°C
Supply Voltage	V _{cc}		1.68	3.6	V
Output Level	V _{pp}	Clipped Sine*, Load: 10k ohm // 10pF	0.8	—	Vp-p
Current Consumption	I _{cc}		—	2	mA
Harmonics	—		—	-5	dBc

* : A DC-cut capacitor is not embedded in this crystal oscillator. Connect a DC-cut capacitor (≥1nF) to the line-out terminal of the oscillator.

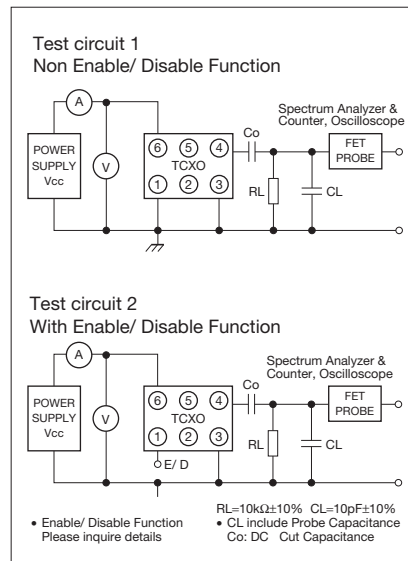
* Please contact us for other specifications.

Dimensions

(Unit: mm)



Test Circuit



Recommended Land Pattern

(Unit: mm)

