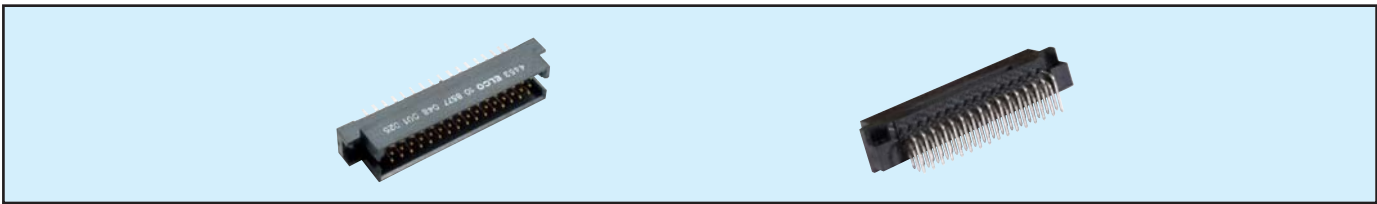


Male Style 1/2 C High Temperature



Series 8557 – 3 rows (3 x 16)

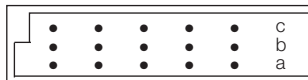


| Contact Design and Termination Length | Number of Contacts | Loading Description | Part Number Performance classes according to DIN 41612 | |
|---------------------------------------|--------------------|------------------------|--|---------------------|
| | | | II | I |
| 3.4 mm (Y) Straight | 48 | a + b + c fully loaded | 10 8557 048 001 025 | 10 8557 048 001 049 |
| | 32 | a + c fully loaded | 10 8557 048 001 026 | 10 8557 048 001 050 |
| | 16 | a loading only | 10 8557 048 001 027 | 10 8557 048 001 051 |
| 3.0 mm (Y) Right Angled | 48 | a + b + c fully loaded | 10 8557 048 002 025 | 10 8557 048 002 049 |
| | 32 | a + c fully loaded | 10 8557 048 002 026 | 10 8557 048 002 050 |
| | 16 | a loading only | 10 8557 048 002 027 | 10 8557 048 002 051 |
| | 46 + 2 | fully loaded + ground | 10 8557 048 102 025 | 10 8557 048 102 049 |
| 2.3 mm (Y) Right Angled | 48 | a + b + c fully loaded | 10 8557 048 008 025 | 10 8557 048 008 049 |
| | 32 | a + c fully loaded | 10 8557 048 008 026 | 10 8557 048 008 050 |
| | 16 | a loading only | 10 8557 048 008 027 | 10 8557 048 008 051 |

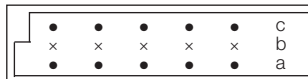
NB: Alternative Prefix Variations Available: 16, please refer to Page 10.

Additional Plating & Loading Variations: Please contact your local AVX sales office or distributor.

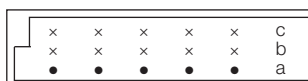
LOADING DESCRIPTION



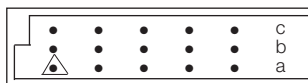
48 contacts, rows a + b + c fully loaded



32 contacts, rows a + c fully loaded

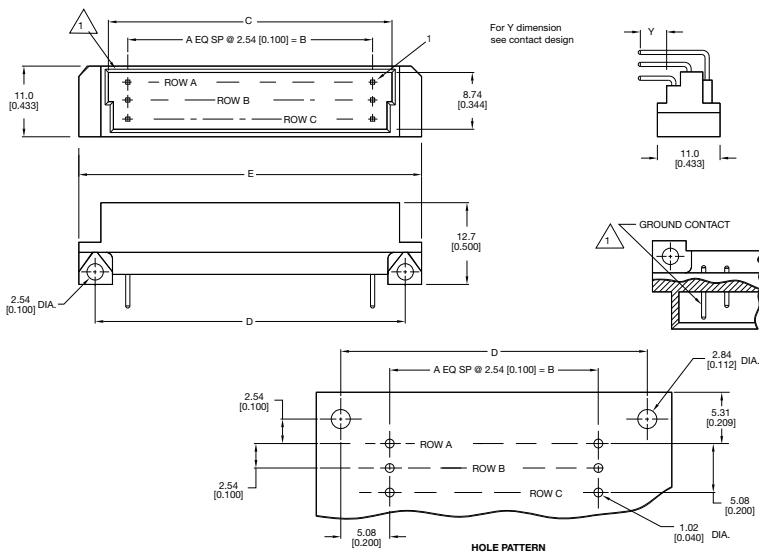


16 contacts, row a loading only



46 + 2 contacts, fully loaded with ground in A1 & A16

DIMENSIONS



△ denotes ground pin



Unit: millimeters (inches)

| No. Contact Positions | Contact Rows | A | B | C | D | E |
|-----------------------|--------------|----|------------------|------------------|------------------|------------------|
| 48 | 3 (3 x 16) | 15 | 38.10 (1.500) | 44.70 (1.760) | 48.26 (1.900) | 53.90 (2.122) |

Female Style 1/2 C High Temperature

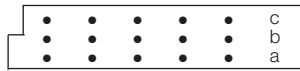
Series 8557 – 3 rows (3 x 16)



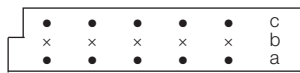
| Contact Design and Termination Length | Number of Contacts | Loading Description | Part Number Performance classes according to DIN 41612 | |
|--|--------------------|------------------------|--|---------------------|
| | | | II | I |
| 0.6 x 0.6 mm Post Profile 4.5 mm (Y) Straight  | 48 | a + b + c fully loaded | 20 8557 048 001 025 | 20 8557 048 001 049 |
| | 32 | a + c fully loaded | 20 8557 048 001 026 | 20 8557 048 001 050 |
| | 16 | a loading only | 20 8557 048 001 027 | 20 8557 048 001 051 |
| 0.6 x 0.6 mm Post Profile 2.9 mm (Y) Straight  | 48 | a + b + c fully loaded | 20 8557 048 002 025 | 20 8557 048 002 049 |
| | 32 | a + c fully loaded | 20 8557 048 002 026 | 20 8557 048 002 050 |
| | 16 | a loading only | 20 8557 048 002 027 | 20 8557 048 002 051 |

NB: Alternative Prefix Variations Available: 26, please refer to Page 10.
 Additional Plating & Loading Variations: Please contact your local AVX sales office or distributor.

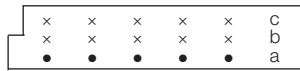
LOADING DESCRIPTION



48 contacts, rows a + b + c fully loaded

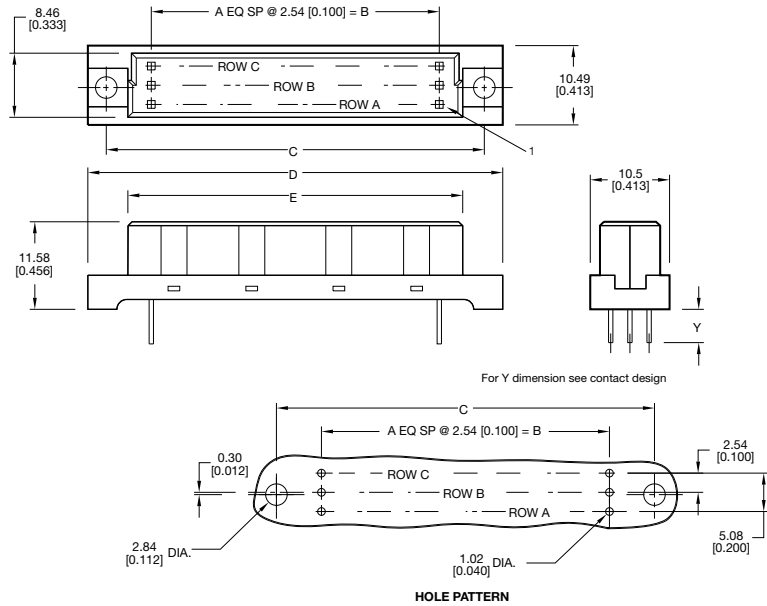


32 contacts, rows a + c fully loaded



16 contacts, row a loading only

DIMENSIONS



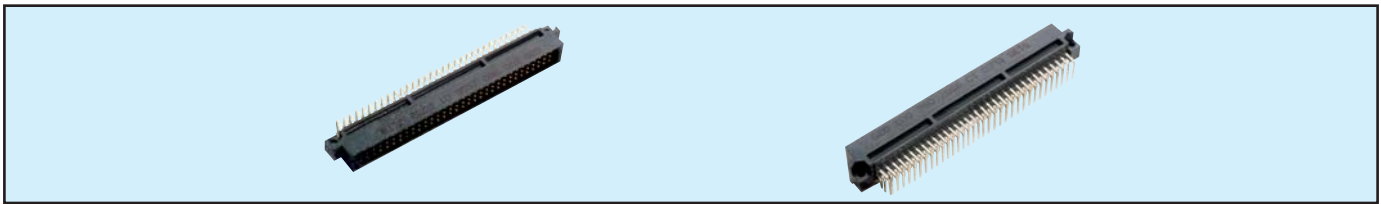
Unit: millimeters (inches)

| No. Contact Positions | Contact Rows | A | B | C | D | E |
|-----------------------|--------------|----|------------------|------------------|------------------|------------------|
| 48 | 3 (3 x 16) | 15 | 38.10 (1.500) | 50.00 (1.969) | 54.89 (2.161) | 44.30 (1.744) |

Male Style C High Temperature



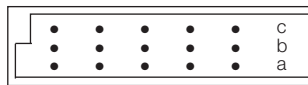
Series 8557 – 3 rows (3 x 32)



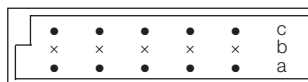
| Contact Design and Termination Length | Number of Contacts | Loading Description | Part Number Performance classes according to DIN 41612 | |
|---------------------------------------|--------------------|------------------------|--|---------------------|
| | | | II | I |
| 3.4 mm (Y) Straight | 96 | a + b + c fully loaded | 10 8557 096 001 025 | 10 8557 096 001 049 |
| | 64 | a + c fully loaded | 10 8557 096 001 026 | 10 8557 096 001 050 |
| | 32 | a + c even loading | 10 8557 096 001 033 | 10 8557 096 001 057 |
| | 32 | a loading only | 10 8557 096 001 027 | 10 8557 096 001 051 |
| 3.0 mm (Y) Right Angled | 96 | a + b + c fully loaded | 10 8557 096 002 025 | 10 8557 096 002 049 |
| | 64 | a + c fully loaded | 10 8557 096 002 026 | 10 8557 096 002 050 |
| | 32 | a + c even loading | 10 8557 096 002 033 | 10 8557 096 002 057 |
| | 32 | a loading only | 10 8557 096 002 027 | 10 8557 096 002 051 |
| 2.3 mm (Y) Right Angled | 96 | a + b + c fully loaded | 10 8557 096 008 025 | 10 8557 096 008 049 |
| | 64 | a + c fully loaded | 10 8557 096 008 026 | 10 8557 096 008 050 |
| | 32 | a + c even loading | 10 8557 096 008 033 | 10 8557 096 008 057 |
| | 32 | a loading only | 10 8557 096 008 027 | 10 8557 096 008 051 |

NB: Alternative Prefix Variations Available: 16, please refer to Page 10.
Additional Plating & Loading Variations: Please contact your local AVX sales office or distributor.

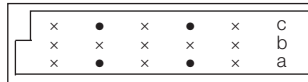
LOADING DESCRIPTION



96 contacts, rows a + b + c fully loaded



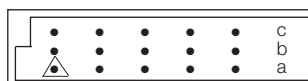
64 contacts, rows a + c fully loaded



32 contacts, rows a + c even loading



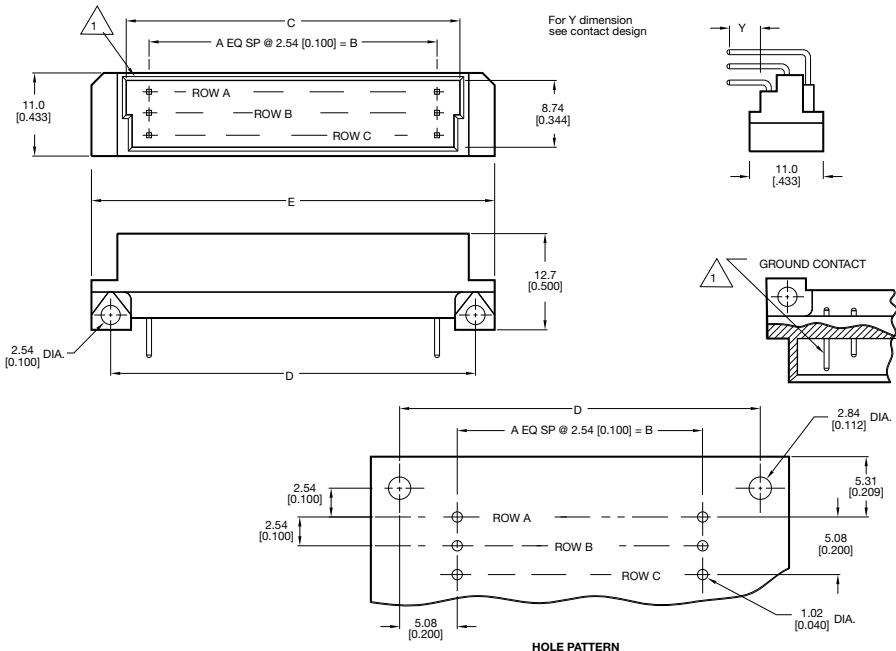
32 contacts, row a loading only



94 + 2 contacts, fully loaded with ground in A1 & A32

△ denotes ground pin

DIMENSIONS



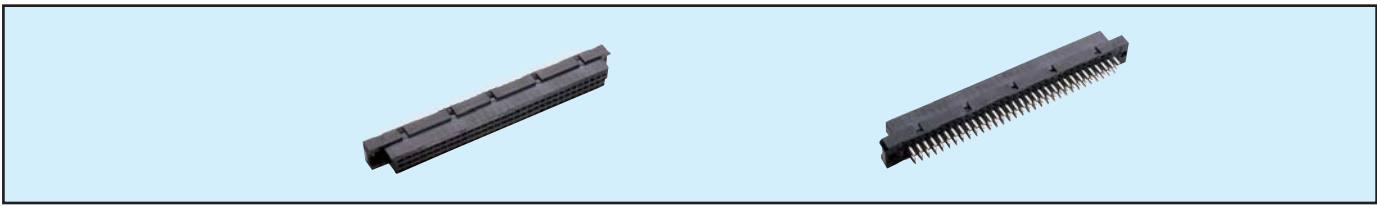
Unit: millimeters (inches)

| No. Contact Positions | Contact Rows | A | B | C | D | E |
|-----------------------|--------------|----|------------------|------------------|------------------|------------------|
| 96 | 3 (3 x 32) | 31 | 78.74 (3.100) | 85.29 (3.358) | 88.90 (3.500) | 93.90 (3.697) |

Female Style C High Temperature



Series 8557 – 3 rows (3 x 32)



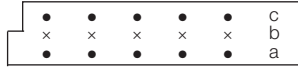
| Contact Design and Termination Length | Number of Contacts | Loading Description | Part Number Performance classes according to DIN 41612 | |
|--|--------------------|------------------------|--|---------------------|
| | | | II | I |
| 0.6 x 0.6 mm Post Profile 4.5 mm (Y) Straight | 96 | a + b + c fully loaded | 20 8557 096 001 025 | 20 8557 096 001 049 |
| | 64 | a + c fully loaded | 20 8557 096 001 026 | 20 8557 096 001 050 |
| | 32 | a + c even loading | 20 8557 096 001 033 | 20 8557 096 001 057 |
| | 32 | a loading only | 20 8557 096 001 027 | 20 8557 096 001 051 |
| 0.6 x 0.6 mm Post Profile 2.9 mm (Y) Straight | 96 | a + b + c fully loaded | 20 8557 096 002 025 | 20 8557 096 002 049 |
| | 64 | a + c fully loaded | 20 8557 096 002 026 | 20 8557 096 002 050 |
| | 32 | a + c even loading | 20 8557 096 002 033 | 20 8557 096 002 057 |
| | 32 | a loading only | 20 8557 096 002 027 | 20 8557 096 002 051 |

NB: Alternative Prefix Variations Available: 26, please refer to Page 10.
 Additional Plating & Loading Variations: Please contact your local AVX sales office or distributor.

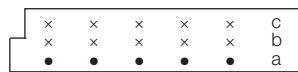
LOADING DESCRIPTION



96 contacts, rows a + b + c fully loaded



64 contacts, rows a + c fully loaded

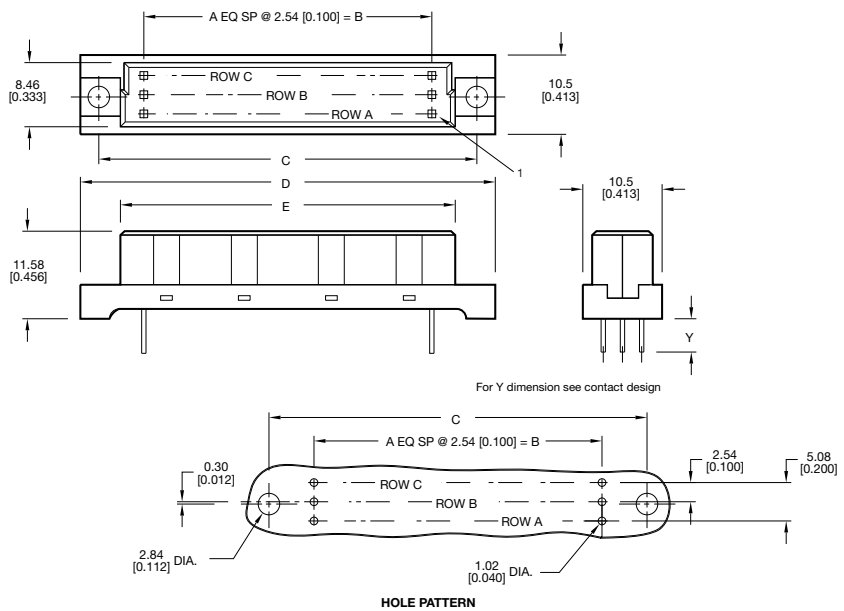


32 contacts, row a loading only



32 contacts, rows a + c even loading

DIMENSIONS



Unit: millimeters (inches)

| No. Contact Positions | Contact Rows | A | B | C | D | E |
|-----------------------|--------------|----|------------------|------------------|------------------|------------------|
| 96 | 3 (3 x 32) | 31 | 78.74 (3.100) | 90.00 (3.543) | 94.89 (3.736) | 84.91 (3.343) |