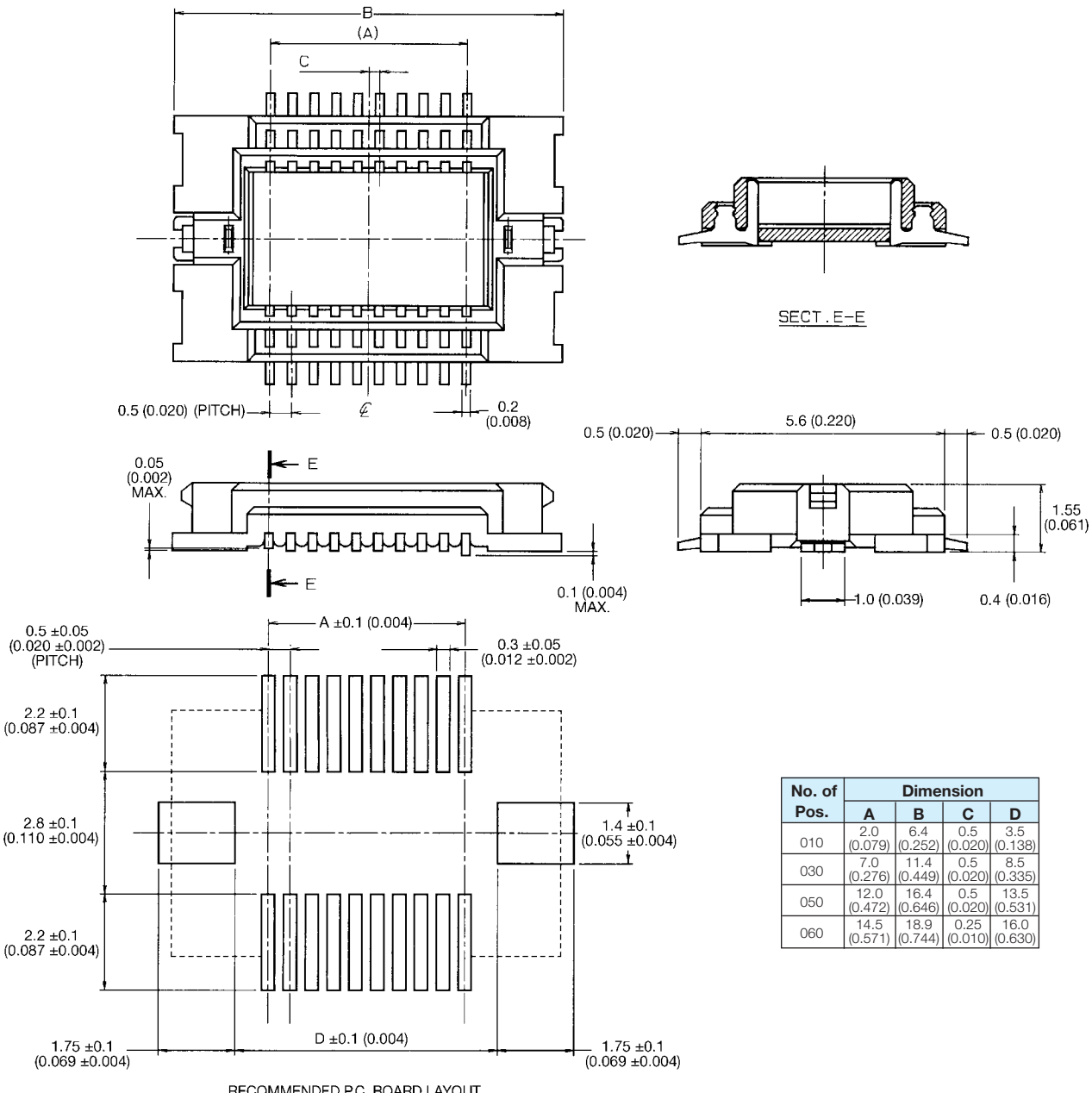




# Fine Pitch SMT Board to Board Connectors

Series 5087

Plug for Mated Height with Receptacle of 2.0mm



No. of Pos.	Dimension			
	A	B	C	D
010	2.0 (0.079)	6.4 (0.252)	0.5 (0.020)	3.5 (0.138)
030	7.0 (0.276)	11.4 (0.449)	0.5 (0.020)	8.5 (0.335)
050	12.0 (0.472)	16.4 (0.646)	0.5 (0.020)	13.5 (0.531)
060	14.5 (0.571)	18.9 (0.744)	0.25 (0.010)	16.0 (0.630)

## HOW TO ORDER

**14**

Prefix

**5087**

Series Number

**XXX**

Number of Positions

- 010
- 030
- 050
- 060

**X20**

Variation Code

- 9 = With strain relief, with vacuum cover
- 0 = With strain relief, without vacuum cover

**829**

Finish Code

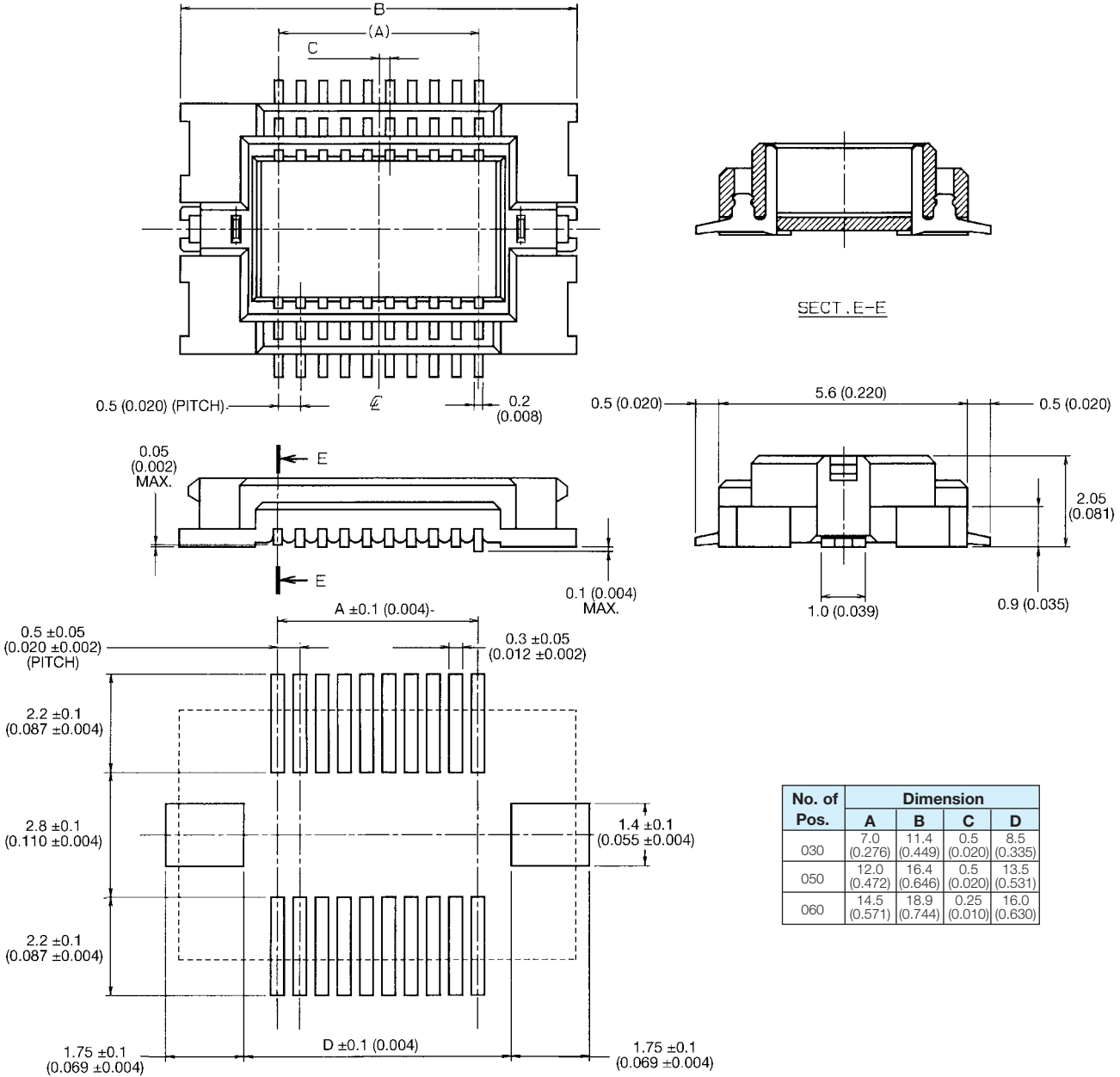
Parts are supplied in tape and reel packaging with 1000 pieces per reel.



# Fine Pitch SMT Board to Board Connectors

Series 5087

Plug for Mated Height with Receptacle of 2.5mm



No. of Pos.	Dimension			
	A	B	C	D
030	7.0 (0.276)	11.4 (0.449)	0.5 (0.020)	8.5 (0.335)
050	12.0 (0.472)	16.4 (0.646)	0.5 (0.020)	13.5 (0.531)
060	14.5 (0.571)	18.9 (0.744)	0.25 (0.010)	16.0 (0.630)

RECOMMENDED P.C. BOARD LAYOUT

## HOW TO ORDER

**14**

Prefix

**5087**

Series Number

**XXX**

Number of Positions

- 030
- 050
- 060

**X25**

Variation Code

- 9 = With strain relief, with vacuum cover
- 0 = With strain relief, without vacuum cover

**829**

Finish Code

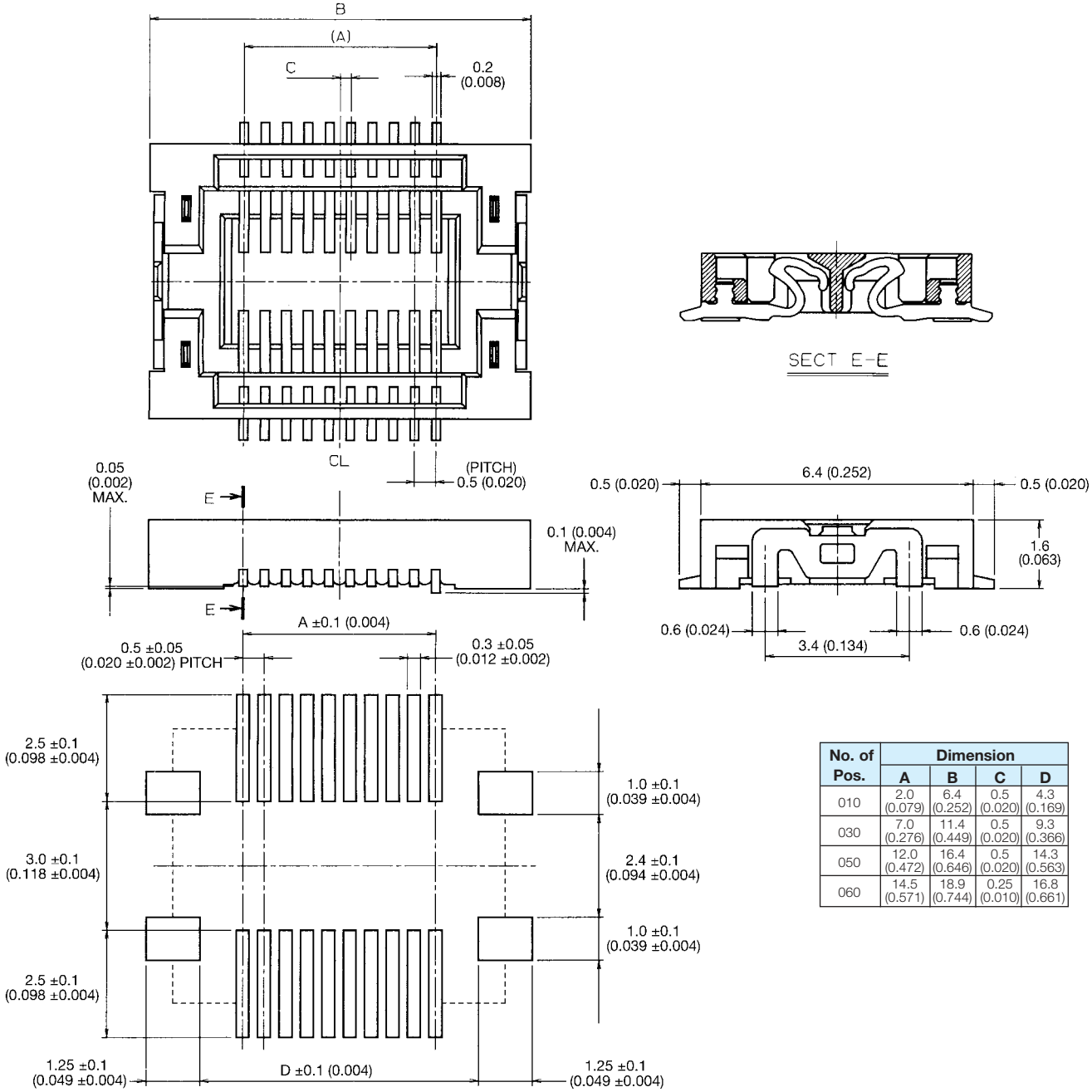
Parts are supplied in tape and reel packaging with 1000 pieces per reel.



# Fine Pitch SMT Board to Board Connectors

Series 5087

Receptacle for Mated Height with Plug of 2.0 or 2.5mm



No. of Pos.	Dimension			
	A	B	C	D
010	2.0 (0.079)	6.4 (0.252)	0.5 (0.020)	4.3 (0.169)
030	7.0 (0.276)	11.4 (0.449)	0.5 (0.020)	9.3 (0.366)
050	12.0 (0.472)	16.4 (0.646)	0.5 (0.020)	14.3 (0.563)
060	14.5 (0.571)	18.9 (0.744)	0.25 (0.010)	16.8 (0.661)

RECOMMENDED P.C. BOARD LAYOUT

## HOW TO ORDER

**24**

Prefix

**5087**

Series Number

**XXX**

Number of Positions

- 010
- 030
- 050
- 060

**X07**

Variation Code

- 9 = With strain relief, with vacuum cover
- 0 = With strain relief, without vacuum cover

**829**

Finish Code

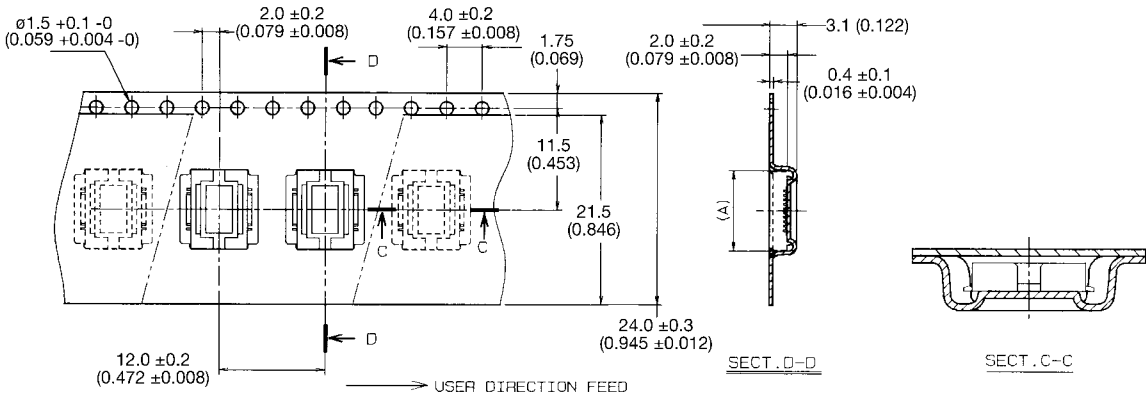
Parts are supplied in tape and reel packaging with 1000 pieces per reel.

# Fine Pitch SMT Board to Board Connectors

## Series 5087 Receptacle Tape and Reel Package

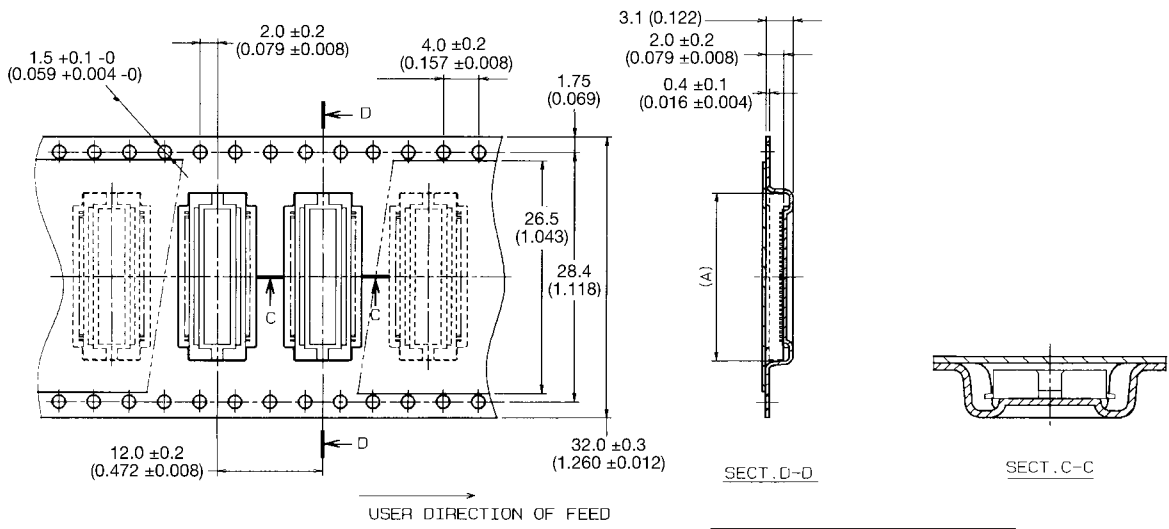
### H=2.0 - 2.5mm

10 - 50 Contacts



Dimension		
P/N	No. of Pos.	A
24 5087 010 XXX 829	010	6.6 (0.260)
↑ 030 ↓	030	11.6 (0.457)
24 5087 050 XXX 829	050	16.6 (0.654)

60 Contacts



Dimension		
P/N	No. of Pos.	A
24 5087 060 XXX 829	060	19.1 (0.752)