

SAW Filters

RF SAW Filters for Short Range Communication Device

SF16 Series



RoHS Compliant

Features

- Small size
- Low insertion loss
- High selectivity
- Hermetic seal

Application

- Short Range Device

How to Order

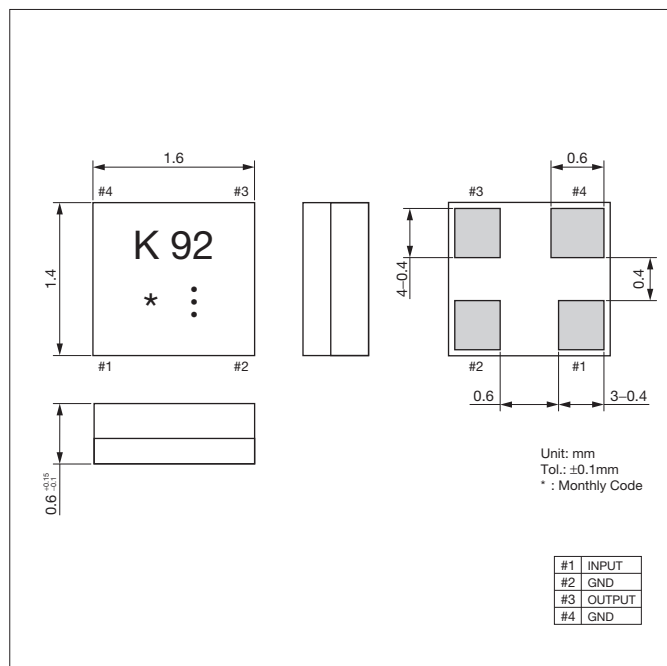
SF 16 - 0868 M 4 UU 01
 ① ② ③ ④ ⑤ ⑥ ⑦

- ① Type of Product (SAW Filter)
- ② Package Size
- ③ Nominal Center Frequency
- ④ Spec.
- ⑤ Number of Terminals
- ⑥ Input/ Output
- ⑦ Custom Specification (STD)

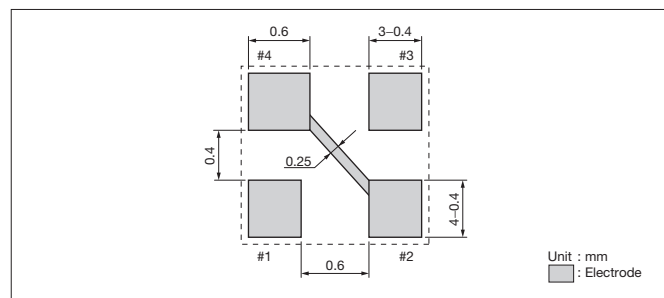
Specifications

Part No.	Output	Application	Pass Band Frequency	Insertion Loss (dB)	Pass Band Variation (dB)	VSWR	Absolute Rejection (dB)										Operating Temperature	Storage Temperature
							0.1MHz	813.92MHz	903.92MHz	948.92MHz	1200MHz	—	—	—	—	—		
SF16-0868M4UU01		Short range device	858.92MHz - 877.92MHz	4.0 max.	2.0 max.	2.5 max.	35 min.	20 min.	20 min.	35 min.	20 min.	—	—	—	-30 to +85°C	-40 to +85°C		
							0MHz	853.92MHz	943.92MHz	988.92MHz	1200MHz	2000MHz	—	—			—	
SF16-0908M4UU01		Short range device	898.92MHz - 917.92MHz	4.0 max.	2.0 max.	2.5 max.	30 min.	20 min.	20 min.	35 min.	20 min.	—	—	-30 to +85°C	-40 to +85°C			
							0MHz	880MHz	900MHz	910MHz	940MHz	950MHz	1000MHz			2450MHz	3000MHz	
SF16-0923M4UU01		Short range device	919MHz - 928MHz	4.0 max.	3.0 max.	2.2 max.	30 min.	20 min.	15 min.	3 min.	10 min.	27 min.	23 min.	-30 to +85°C	-40 to +85°C			
SF16-0923M4UU32		Short range device	919MHz - 928MHz	4.0 max.	3.0 max.	2.2 max.	30 min.	20 min.	15 min.	6 min.	10 min.	27 min.	27 min.			23 min.		

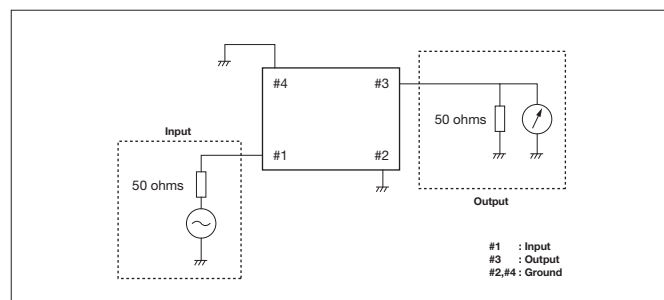
Dimensions



Recommended Land Pattern

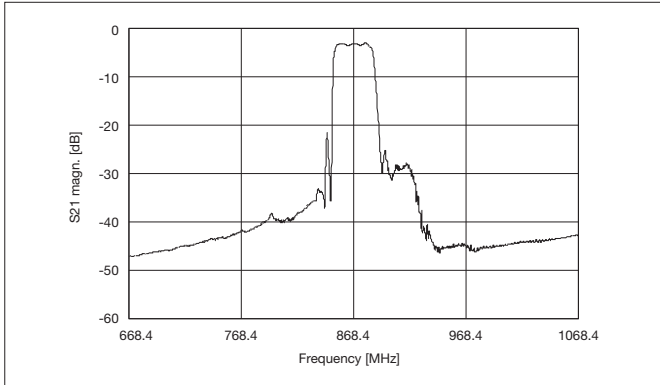


Test Circuit

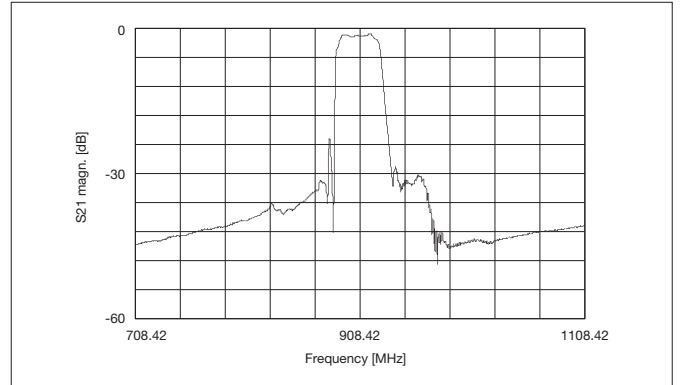


Characteristics

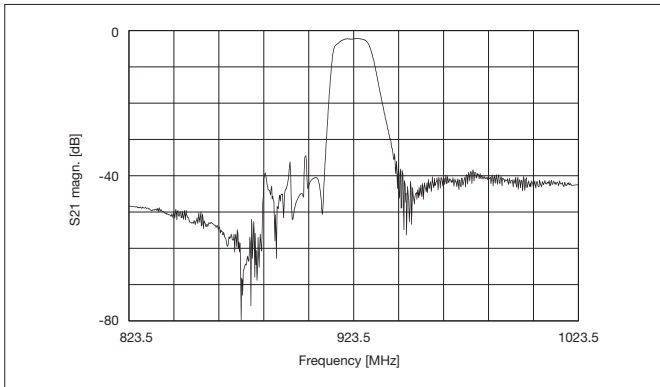
Part No.: SF16-0868M4UU01



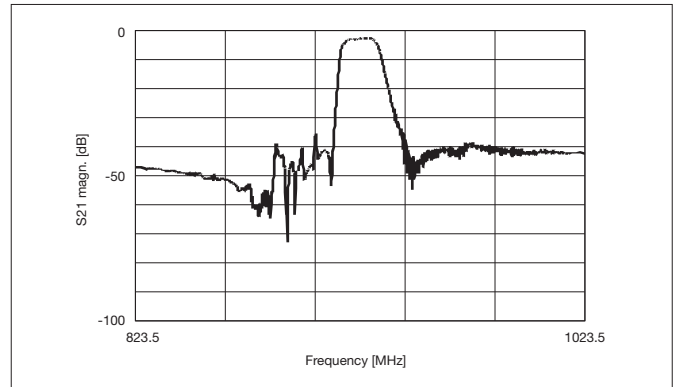
Part No.: SF16-0908M4UU01



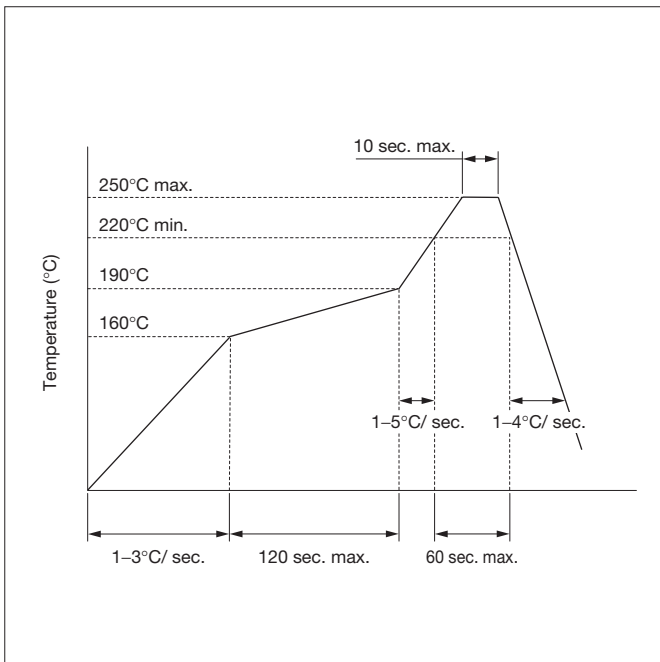
Part No.: SF16-0923M4UU01



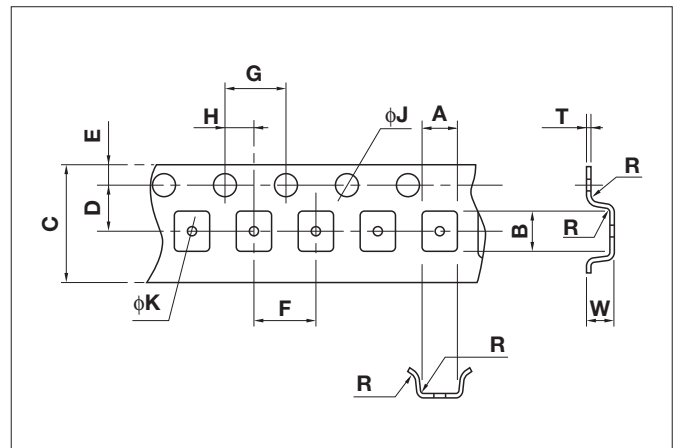
Part No.: SF16-0923M4UU32



Recommended Reflow Profile



Taping Dimensions



(Unit: mm)

Part	A	B	C	D	E
Dimension	1.85±0.1	1.9±0.1	8.0±0.2	3.5±0.05	1.75±0.1
Part	F	G	H	φJ	φK
Dimension	4.0±0.1	4.0±0.1	2.0±0.05	1.5±0.1	1.1±0.1
Part	R	W	T		
Dimension	0.3 max.	0.95±0.2	0.25±0.05		