

# SAW Filters

## RF SAW Filters for Short Range Communication Device

### SF16 Series



RoHS Compliant

### Features

- Small size
- Low insertion loss
- High selectivity
- Hermetic seal

### Application

- Short Range Device

### How to Order

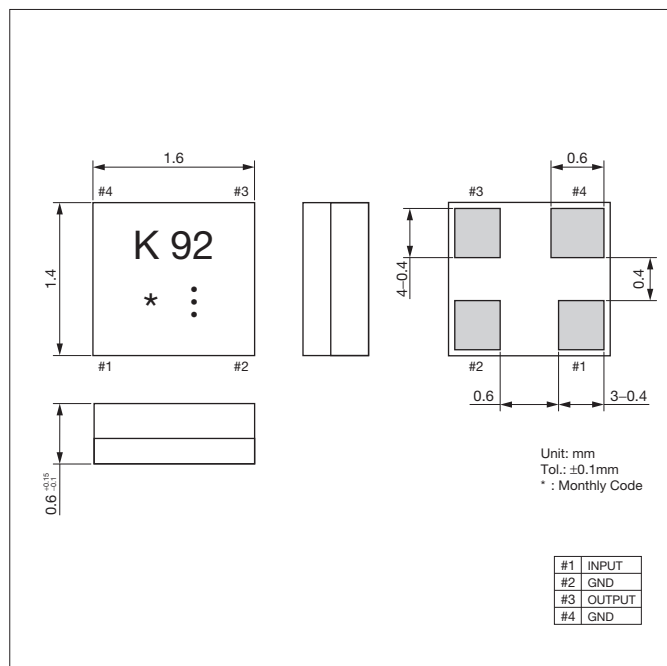
SF 16 - 0868 M 4 UU 01  
 ① ② ③ ④ ⑤ ⑥ ⑦

- ① Type of Product (SAW Filter)
- ② Package Size
- ③ Nominal Center Frequency
- ④ Spec.
- ⑤ Number of Terminals
- ⑥ Input/ Output
- ⑦ Custom Specification (STD)

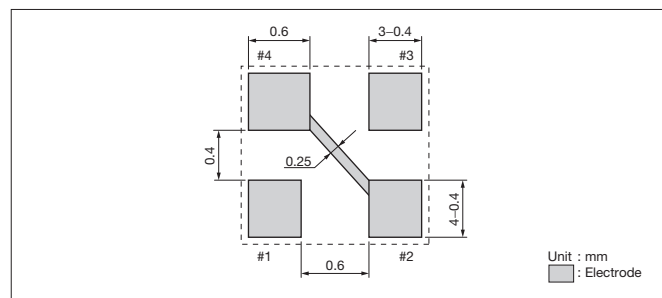
### Specifications

Part No.	Output	Application	Pass Band Frequency	Insertion Loss (dB)	Pass Band Variation (dB)	VSWR	Absolute Rejection (dB)										Operating Temperature	Storage Temperature
							0.1MHz	813.92MHz	903.92MHz	948.92MHz	1200MHz	—	—	—	—	—		
SF16-0868M4UU01	Unbalance	Short range device	858.92MHz - 877.92MHz	4.0 max.	2.0 max.	2.5 max.	35 min.	20 min.	20 min.	35 min.	20 min.	—	—	—	-30 to +85°C	-40 to +85°C		
SF16-0908M4UU01			898.92MHz - 917.92MHz	4.0 max.	2.0 max.	2.5 max.	35 min.	20 min.	20 min.	35 min.	20 min.	—	—	—				
SF16-0923M4UU01		Short range device	919MHz - 928MHz	4.0 max.	3.0 max.	2.2 max.	30 min.	20 min.	15 min.	3 min.	10 min.	27 min.	23 min.	2450MHz			3000MHz	
SF16-0923M4UU32			919MHz - 928MHz	4.0 max.	3.0 max.	2.2 max.	30 min.	20 min.	15 min.	6 min.	10 min.	27 min.	27 min.	23 min.			2450MHz	3000MHz

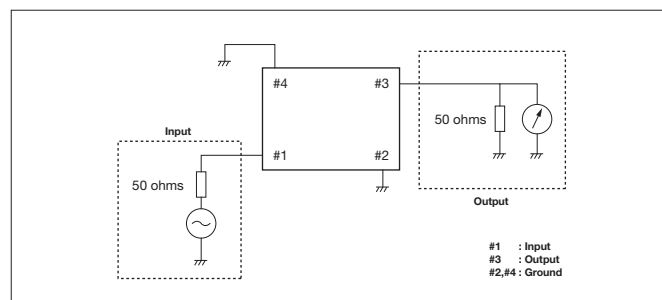
### Dimensions



### Recommended Land Pattern

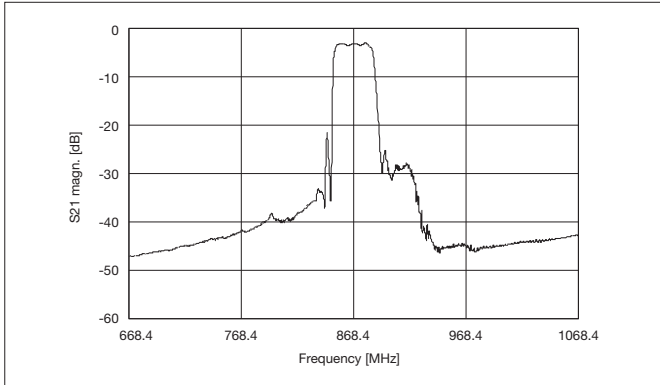


### Test Circuit

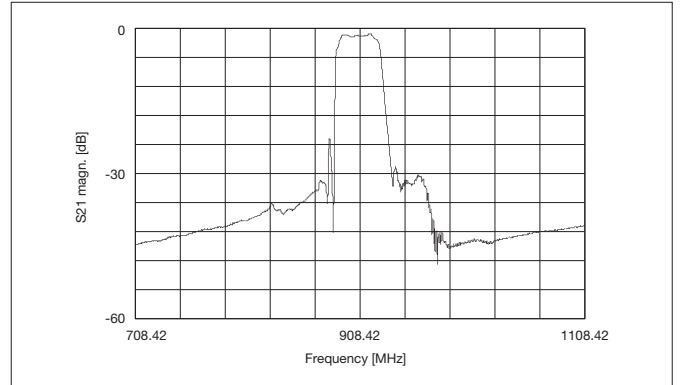


### Characteristics

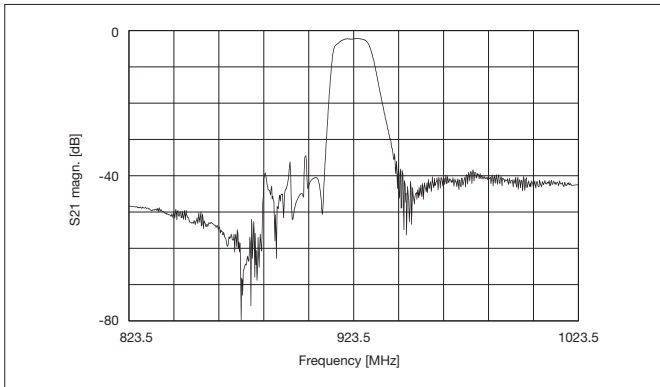
Part No.: SF16-0868M4UU01



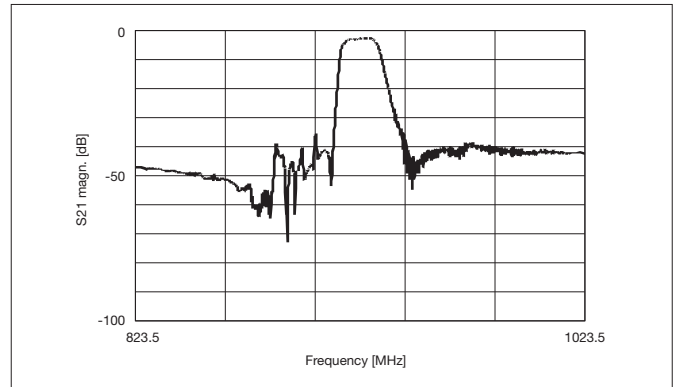
Part No.: SF16-0908M4UU01



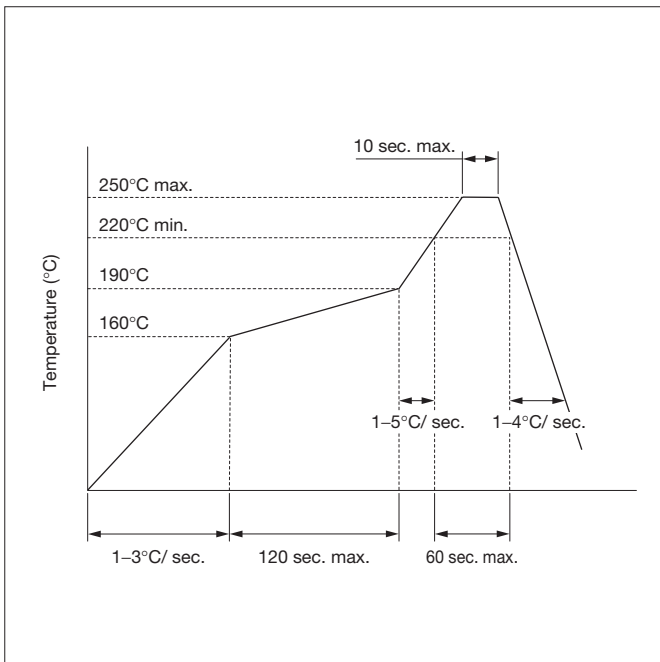
Part No.: SF16-0923M4UU01



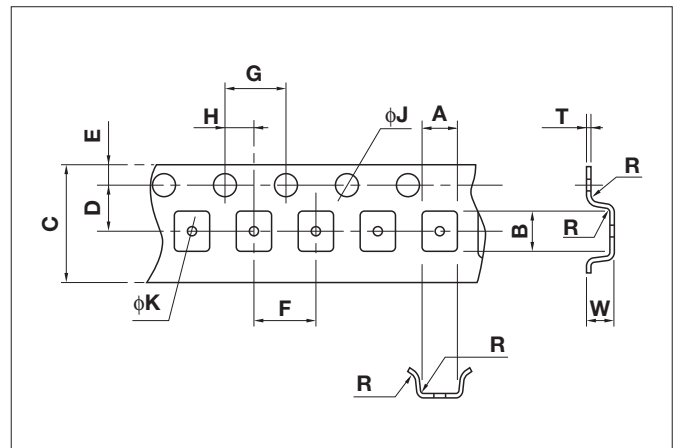
Part No.: SF16-0923M4UU32



### Recommended Reflow Profile



### Taping Dimensions



(Unit: mm)

Part	A	B	C	D	E
Dimension	1.85±0.1	1.9±0.1	8.0±0.2	3.5±0.05	1.75±0.1
Part	F	G	H	φJ	φK
Dimension	4.0±0.1	4.0±0.1	2.0±0.05	1.5±0.1	1.1±0.1
Part	R	W	T		
Dimension	0.3 max.	0.95±0.2	0.25±0.05		