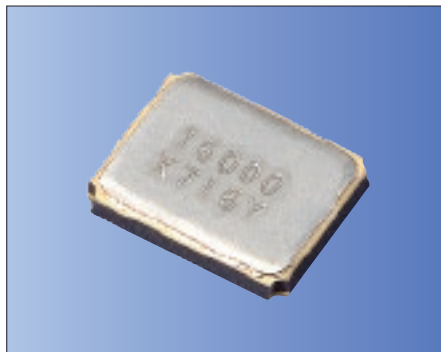


3.2×2.5mm for Consumer Products/ Mobile Communications/ Automotive



RoHS Compliant

### Features

- Crystal unit for Consumer Products
- Miniature and low profile (3.2×2.5×0.55mm)
- Ceramic package
- Reflow compatible
- AEC-Q200 qualified  
(Please contact us for Automotive use)

### Applications

- Digital Electronics
- Consumer Products
- Car Electronics
- Mobile Communications, Bluetooth®, Wireless LAN

\* Bluetooth® Trademarks are owned by Bluetooth SIG Inc.

### How to Order

CX3225SB 12000 □□ □ □ □ □ □ □  
 ① ② ③ ④ ⑤ ⑥ ⑦

- ① Series
- ② Frequency
- ③ Load Capacitance
- ④ Frequency Tolerance
- ⑤ Operating Temp. Range
- ⑥ Frequency Temp. Stability
- ⑦ Individual Specification

<b>D0</b>	8 pF	<b>G</b>	±15×10 <sup>-6</sup>
<b>EJ</b>	-10 to +70°C		±15×10 <sup>-6</sup>
<b>LJ</b>	-30 to +85°C		±15×10 <sup>-6</sup>
<b>PS</b>	-40 to +125°C		±50×10 <sup>-6</sup>

Packaging (Tape & Reel 1000/ 3000 pcs./ reel)

### Specifications

Item	Symbol	Specification	Units	Remarks
Frequency Range	f <sub>nom</sub>	12000 to 54000	kHz	
Overtone Order	OT	Fundamental	—	
Load Capacitance	CL	8	pF	Please contact us for other Load Capacitance.
Frequency Tolerance	f <sub>tol</sub>	±15	×10 <sup>-6</sup>	25°C±3°C
Motional Series Resistance	R1	Table 1	ohm	
Drive Level	DL	Table 2	μW	
Operating Temp. Range	T <sub>use</sub>	-10 to +70    -30 to +85    -40 to +125	°C	
Storage Temp. Range	T <sub>stg</sub>	-40 to +85    -40 to +125	°C	
Frequency Temp. Characteristics	f <sub>tem</sub>	±15    ±50	×10 <sup>-6</sup>	Freq. deviation from the value at 25°C

Please contact us for other specifications.

Table1 Motional Series Resistance

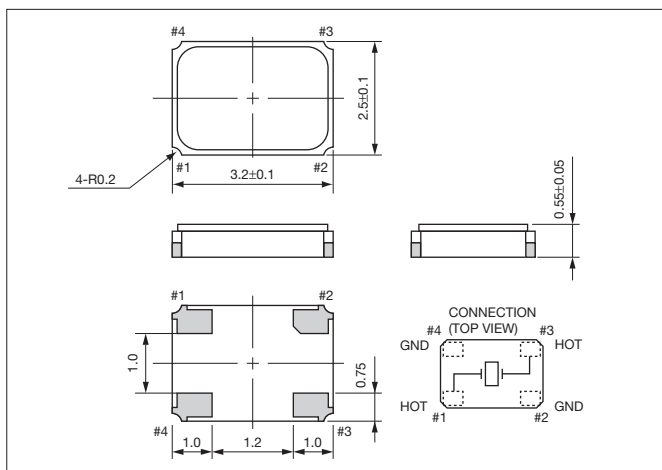
Frequency Range	Motional Series Resistance
12000 ≤ f <sub>nom</sub> < 13000kHz	150Ω max.
13000 ≤ f <sub>nom</sub> < 20000kHz	80Ω max.
20000 ≤ f <sub>nom</sub> ≤ 54000kHz	50Ω max.

Table2 Level of Drive

Frequency Range	Level of Drive
12000 ≤ f <sub>nom</sub> ≤ 54000kHz	10μW (100μW max.)

### Dimensions

(Unit: mm)



### Recommended Land Pattern

(Unit: mm)

