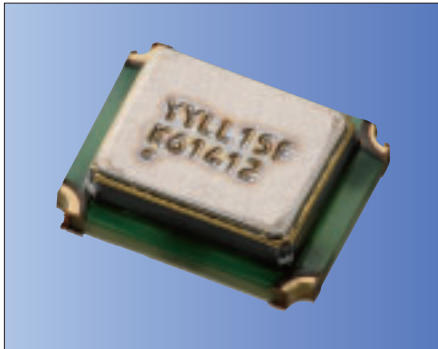




2.5×2.0mm



RoHS Compliant

## Features

- Miniature SMD type (2.5×2.0×0.8mm)
- Freq. temp. characteristics:  
:  $\pm 2.0 \times 10^{-6}$ / -30 to +85°C  
:  $\pm 0.5 \times 10^{-6}$ / -30 to +85°C (for GPS)
- 1.68 to 3.63V drive available
- Reflow compatible
- Operating Temp. -40 to +105°C (Option)
- Ultra low supply current 600µA typ.  
Conditions of 26MHz and 0.4Vp-p (Option)

## Applications

- Mobile Communications, W-LAN
- Low power radio communications
- GPS Unit

## How to Order

KT2520K 26000 A C W 18 T xx  
① ② ③ ④ ⑤ ⑥ ⑦ ⑧

① Series

② Output Frequency

③ Freq. Temp. Chrst.

|   |                          |
|---|--------------------------|
| A | $\pm 0.5 \times 10^{-6}$ |
| B | $\pm 1.0 \times 10^{-6}$ |
| C | $\pm 1.5 \times 10^{-6}$ |
| D | $\pm 2.0 \times 10^{-6}$ |

④ Lower Operating Temp.

|   |       |
|---|-------|
| C | -30°C |
| E | -20°C |
| G | -10°C |

⑤ Upper Operating Temp.

|   |       |
|---|-------|
| W | +85°C |
| V | +80°C |
| U | +75°C |

⑥ Supply Voltage

|    |      |    |      |
|----|------|----|------|
| 18 | 1.8V | 28 | 2.8V |
| 30 | 3.0V | 33 | 3.3V |

⑦ Voltage Control Function

|        |        |
|--------|--------|
| T      | TCXO   |
| Other* | VCTCXO |

\* Customer Spec.

⑧ Option Code

Packaging (Tape & Reel 12000 pcs./ reel)

## Specifications

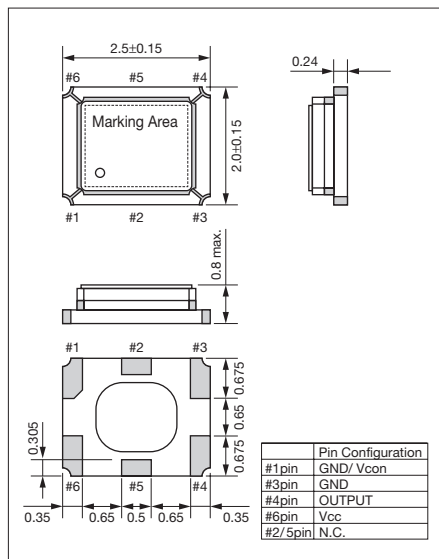
| Item                        | Symbol            | Conditions                           | Min.     | Max.     | Units             |
|-----------------------------|-------------------|--------------------------------------|----------|----------|-------------------|
| Output Frequency Range      | fo                |                                      | 10       | 52       | MHz               |
| Frequency Tolerance         | f <sub>tol</sub>  | vs Temperature                       | -0.5/ -2 | +0.5/ +2 | ×10 <sup>-6</sup> |
|                             |                   | vs Load                              | -0.2     | +0.2     |                   |
|                             |                   | vs Voltage                           | -0.2     | +0.2     |                   |
| Frequency Aging             | f <sub>age</sub>  | Per Year                             | -1       | +1       | ×10 <sup>-6</sup> |
| Storage Temperature Range   | T <sub>stg</sub>  |                                      | -40      | +85      | °C                |
| Operating Temperature Range | T <sub>use</sub>  |                                      | -30      | +85      | °C                |
| Voltage Control Range       | f <sub>cont</sub> | Positive                             | ±8       | ±15      | ×10 <sup>-6</sup> |
| Supply Voltage              | V <sub>cc</sub>   |                                      | 1.68     | 3.63     | V                 |
| Output Level                | V <sub>pp</sub>   | Clipped Sine*, Load: 10k ohm // 10pF | 0.8      | —        | Vp-p              |
| Current Consumption         | I <sub>cc</sub>   |                                      | —        | 2        | mA                |
| Harmonics                   | —                 |                                      | —        | -5       | dBc               |

\* : A DC-cut capacitor is not embedded in this crystal oscillator. Connect a DC-cut capacitor (≥1nF) to the line-out terminal of the oscillator.

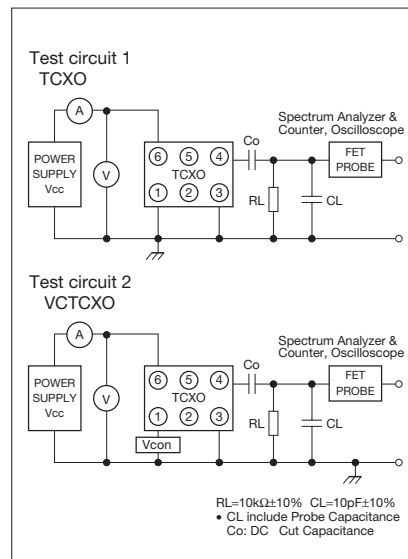
\* Please contact us for other specifications.

## Dimensions

(Unit: mm)



## Test Circuit



## Recommended Land Pattern

(Unit: mm)

