



2.0×1.6mm



RoHS Compliant

## Features

- Miniature SMD type (2.0×1.6×0.8mm)
- Freq. temp. characteristics.  
:  $\pm 2.0 \times 10^{-6}$ / -30 to +85°C  
:  $\pm 0.5 \times 10^{-6}$ / -30 to +85°C (for GPS)
- 1.68 to 3.63V available
- Reflow compatible
- Operating Temp. -40 to +105°C (Option)
- Ultra low supply current 600µA typ.  
Conditions of 26MHz and 0.4Vp-p (Option)

## Applications

- Mobile Communications, W-LAN
- Low power radio communications
- GPS Unit

## How to Order

KT2016K 26000 A C W 18 T xx  
① ② ③ ④ ⑤ ⑥ ⑦ ⑧

① Series

② Output Frequency

③ Freq. Temp. Chrst.

A	$\pm 0.5 \times 10^{-6}$
B	$\pm 1.0 \times 10^{-6}$
C	$\pm 1.5 \times 10^{-6}$
D	$\pm 2.0 \times 10^{-6}$

④ Lower Operating Temp.

C	-30°C
E	-20°C
G	-10°C

⑤ Upper Operating Temp.

W	+85°C
V	+80°C
U	+75°C

⑥ Supply Voltage

18	1.8V	28	2.8V
30	3.0V	33	3.3V

⑦ Voltage Control Function

T	TCXO
Other*	VCTCXO

\* Customer Spec.

⑧ Option Code

Packaging (Tape & Reel 15000 pcs./ reel)

## Specifications

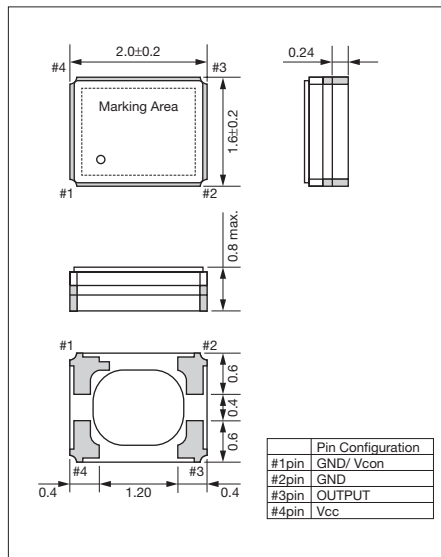
Item	Symbol	Conditions	Min.	Max.	Units
Output Frequency Range	$f_o$		10	52	MHz
Frequency Tolerance	$f_{tol}$	vs Temperature	-0.5/ -2	+0.5/ +2	$\times 10^{-6}$
		vs Load	-0.2	+0.2	
		vs Voltage	-0.2	+0.2	
Frequency Aging	$f_{age}$	Per Year	-1	+1	$\times 10^{-6}$
Storage Temperature Range	$T_{stg}$		-40	+85	°C
Operating Temperature Range	$T_{use}$		-30	+85	°C
Voltage Control Range	$f_{cont}$	Positive	$\pm 8$	$\pm 15$	$\times 10^{-6}$
Supply Voltage	$V_{CC}$		1.68	3.63	V
Output Level	$V_{pp}$	Clipped Sine*, Load: 10k ohm // 10pF	0.8	—	Vp-p
Current Consumption	$I_{CC}$		—	2	mA
Harmonics	—		—	-5	dBc

\* : A DC-cut capacitor is not embedded in this crystal oscillator. Connect a DC-cut capacitor ( $\geq 1nF$ ) to the line-out terminal of the oscillator.

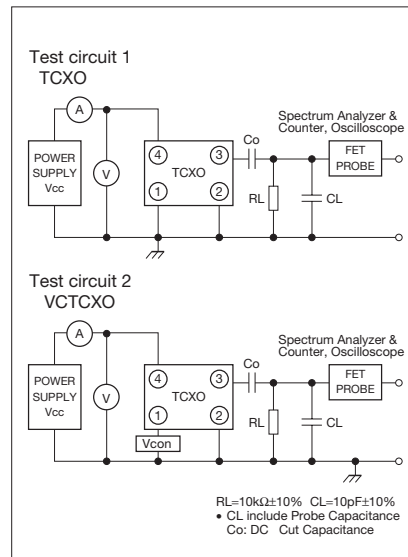
\* Please contact us for other specifications.

## Dimensions

(Unit: mm)



## Test Circuit



## Recommended Land Pattern

(Unit: mm)

