

2.0×1.6mm



RoHS Compliant

Features

- Miniature SMD type (2.0×1.6×0.8mm)
- Freq. temp. characteristics: $\pm 0.5 \times 10^{-6} / -30$ to $+85^\circ\text{C}$
- 1.68 to 3.6V drive available
- Reflow compatible
- Disable Function (Option)
- Lower Operating Temp. -40°C (Option)
- AFC Function (Option)
- Ultra low supply current 600 μA typ. Conditions of 26MHz and 0.4Vp-p (Option)

Applications

- GPS Unit

How to Order

KT2016K 26000 A C W 18 T xx
 ① ② ③ ④ ⑤ ⑥ ⑦ ⑧

- ① Series
 - ② Output Frequency
 - ③ Freq. Temp. Chrst.
 - ④ Lower Operating Temp.
 - ⑤ Upper Operating Temp.
 - ⑥ Supply Voltage
 - ⑦ Voltage Control Function
 - ⑧ Option Code
- | | |
|----------|--------------------------|
| A | $\pm 0.5 \times 10^{-6}$ |
| C | -30°C |
| E | -20°C |
| G | -10°C |
| W | $+85^\circ\text{C}$ |
| V | $+80^\circ\text{C}$ |
| U | $+75^\circ\text{C}$ |
- | | | | |
|-----------|------|-----------|------|
| 18 | 1.8V | 28 | 2.8V |
| T | TCXO | | |

Packaging (Tape & Reel 15000 pcs./ reel)

Specifications

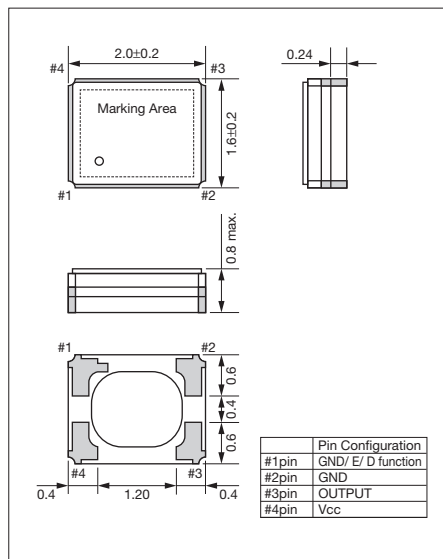
Item	Symbol	Conditions	Min.	Max.	Units
Output Frequency Range	fo	Standard Frequency: 16.368, 16.369, 19.2, 26, 27.456, 33.6, 38.4, 52	10	52	MHz
Frequency Tolerance	f _{tol}	vs Temperature	-0.5	+0.5	$\times 10^{-6}$
		vs Load	-0.1	+0.1	
		vs Voltage	-0.2	+0.2	
Frequency Aging	f _{age}	Per Year	-1	+1	$\times 10^{-6}$
Storage Temperature Range	T _{stg}		-40	+85	$^\circ\text{C}$
Operating Temperature Range	T _{use}		-30	+85	$^\circ\text{C}$
Supply Voltage	V _{CC}		1.68	3.6	V
Output Level	V _{pp}	Clipped Sine*, Load: 10k ohm // 10pF	0.8	—	Vp-p
Current Consumption	I _{CC}		—	2	mA
Harmonics	—		—	-5	dBc

* : A DC-cut capacitor is not embedded in this crystal oscillator. Connect a DC-cut capacitor ($\geq 1\text{nF}$) to the line-out terminal of the oscillator.

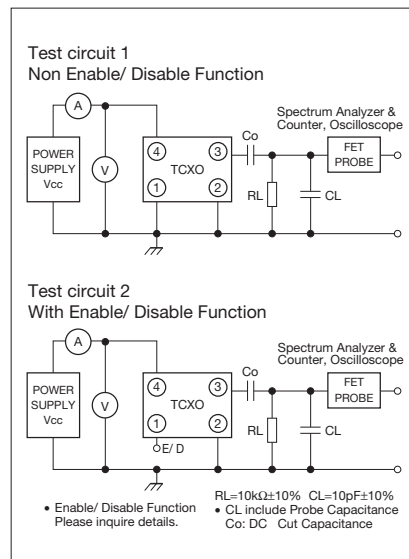
* Please contact us for other specifications.

Dimensions

(Unit: mm)



Test Circuit



Recommended Land Pattern

(Unit: mm)

