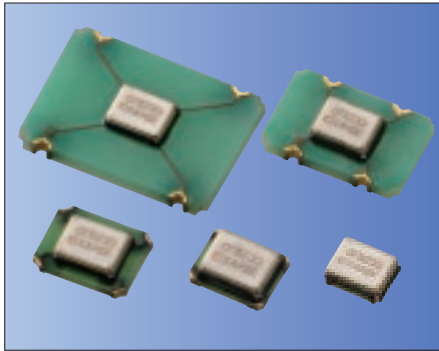


CMOS/ 1.8V, 2.5V, 3.3V Compatible/ 2.0×1.6, 2.5×2.0, 3.2×2.5, 5.0×3.2, 7.0×5.0mm



RoHS Compliant

Features

- Frequency Range 1.5 to 80MHz
- CMOS output
- Wide Supply Voltage 1.6 to 3.63V
- Low current consumption
- Option: Low Phase Noise Version

Table 1

Freq. Code	Tol. $\times 10^{-6}$	Operating Temperature Range (°C)	Note
0	± 50	-10 to +70	Standard specifications
S	± 30		
U	± 25	-40 to +85	With only certain frequencies
G	± 50		
6	± 50		

Packaging Tape & Reel
 KC7050K/ KC5032K : 1000 pcs/ reel
 KC3225K/ KC2520K/ KC2016K : 2000 pcs/ reel

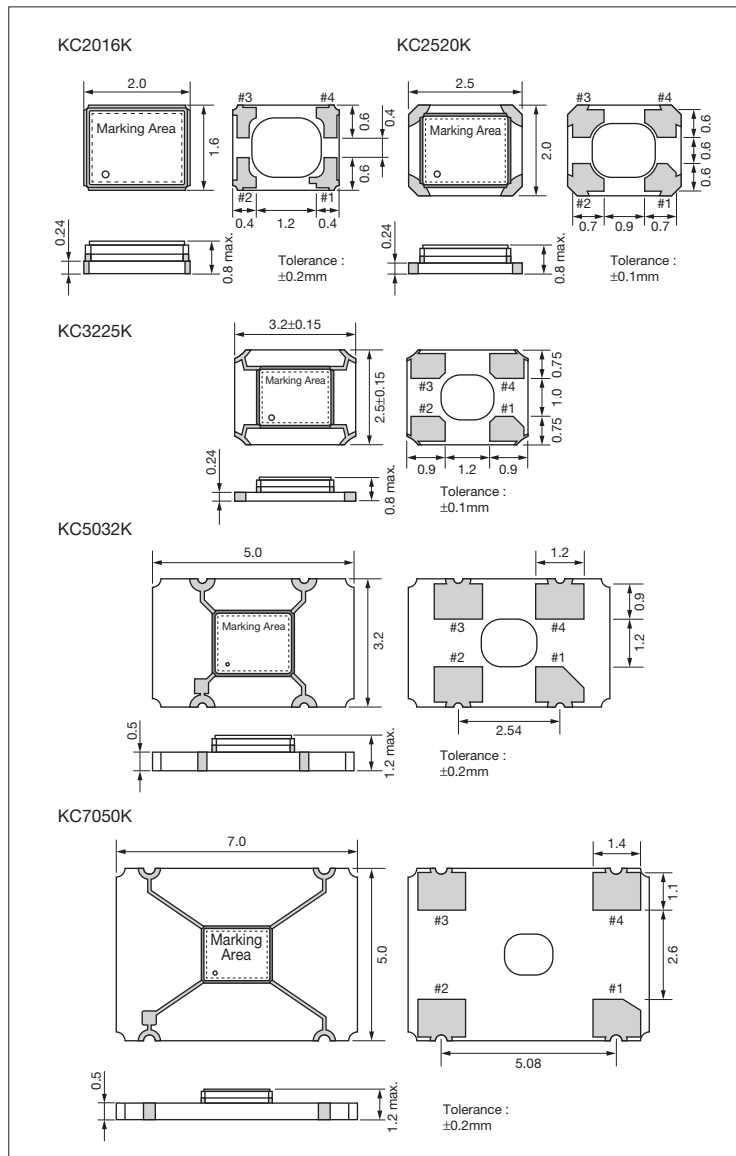
How to Order

KC2520K 25.0000 C 1 0 E 00
 ① ② ③ ④ ⑤ ⑥ ⑦

- ① Type 2.0×1.6mm: KC2016K
2.5×2.0mm: KC2520K
3.2×2.5mm: KC3225K
5.0×3.2mm: KC5032K
7.0×5.0mm: KC7050K
- ② Output Frequency (25.0000: 25MHz)
- ③ Output Type (C: CMOS)
- ④ Supply Voltage
1 : 1.8V/ 2.5V/ 3.3V Multi Voltage (Version E : Standard)
2 : 2.5V (Version N : Low Phase Noise)
3 : 3.3V (Version N : Low Phase Noise)
- ⑤ Frequency Tolerance (See Table 1)
- ⑥ Symmetry/ INH Function
E : 45/ 55%, Stand-by
N : 45/ 55%, Stand-by, Low Phase Noise
- ⑦ Customer Special Model Suffix (STD Specification is "00")

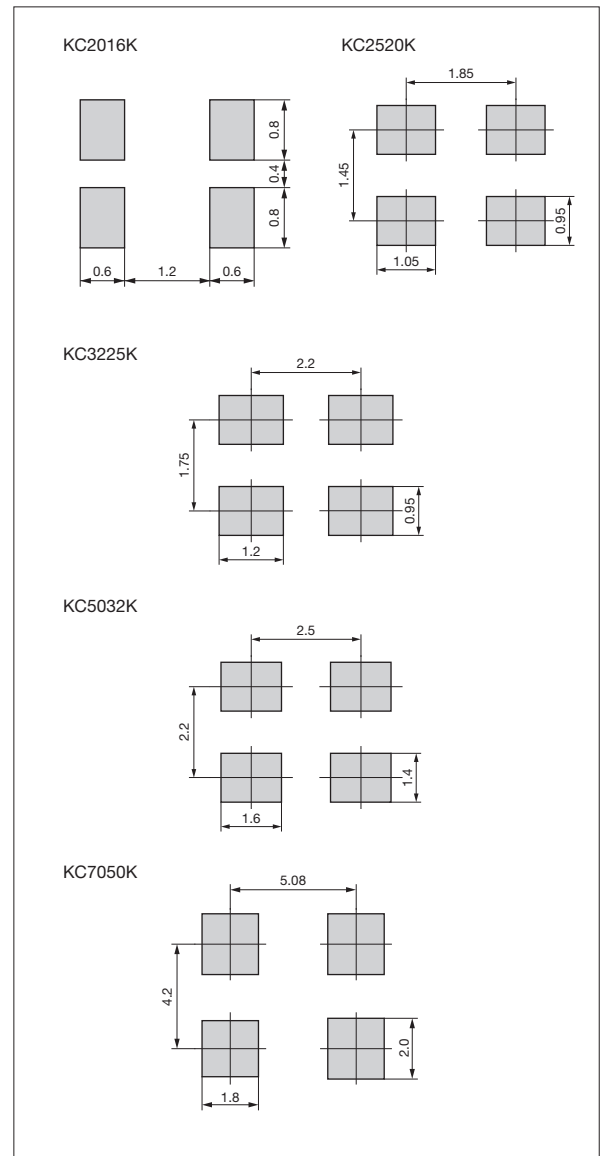
Dimensions

(Unit: mm)



Recommended Land Pattern

(Unit: mm)



CMOS/ 1.8V, 2.5V, 3.3V Compatible/ 2.0×1.6, 2.5×2.0, 3.2×2.5, 5.0×3.2, 7.0×5.0mm

Specifications

Item	Symbol	Conditions	Version E (Standard)		Version N (Low Phase Noise)		Units	
			Min.	Max.	Min.	Max.		
Output Frequency Range ^{Note1}	fo		1.5	80	1.5	80	MHz	
Frequency Tolerance	f _{tol}	Initial tolerance, Operating temperature range, Rated power supply voltage change, Load change, Aging (1 year @25°C), Shock and vibration	Op. Temp.: -10 to +70°C/ -40 to +85°C/ -40 to +105°C	-50	+50	-50	+50	×10 ⁻⁶
			Op. Temp.: -10 to +70°C	-30	+30	-30	+30	
			Op. Temp.: -10 to +70°C	-25	+25	-25	+25	
Frequency Aging	f _{age}	@25°C First year	-3	+3	-3	+3	×10 ⁻⁶ /y	
Storage Temperature Range	T _{stg}		-55	+125	-55	+125	°C	
Operating Temperature Range	T _{use}		-10	+70	-10	+70	°C	
			-40	+85	-40	+85		
			-40	+105	-40	+105		
Max. Supply Voltage	—		-0.3	+4.0	-0.3	+4.0	V	
Supply Voltage	V _{cc}	Code ④ : 1	+1.60	+3.63	—	—	V	
		Code ④ : 2	—	—	+2.25	+2.75		
		Code ④ : 3	—	—	+2.97	+3.63		
Current Consumption (Maximum Loaded/ 1.5<F0<24MHz)	I _{cc}	E : 1.6<V _{cc} <=2.25V	—	2.5	—	—	mA	
		E : 2.25<V _{cc} <=2.8V/ N : 2.25<=V _{cc} <=2.75V	—	3.0	—	4		
		E : 2.8<V _{cc} <=3.63V/ N : 2.97<=V _{cc} <=3.63V	—	3.5	—	6		
Current Consumption (Maximum Loaded/ 24<=F0<40MHz)	I _{cc}	E : 1.6<=V _{cc} <=2.25V	—	3.5	—	—		
		E : 2.25<V _{cc} <=2.8V/ N : 2.25<=V _{cc} <=2.75V	—	4.5	—	5		
		E : 2.8<V _{cc} <=3.63V/ N : 2.97<=V _{cc} <=3.63V	—	5.0	—	7		
Current Consumption (Maximum Loaded/ 40<=F0<62.5MHz)	I _{cc}	E : 1.6<=V _{cc} <=2.25V	—	5.0	—	—		
		E : 2.25<=V _{cc} <=2.8V/ N : 2.25<=V _{cc} <=2.75V	—	5.5	—	8		
		E : 2.8<=V _{cc} <=3.63V/ N : 2.97<=V _{cc} <=3.63V	—	6.0	—	11		
Current Consumption (Maximum Loaded/ 62.5<=F0<80MHz)	I _{cc}	E : 1.6<=V _{cc} <=2.25V	—	6.0	—	—		
		E : 2.25<=V _{cc} <=2.8V/ N : 2.25<=V _{cc} <=2.75V	—	6.5	—	14		
		E : 2.8<=V _{cc} <=3.63V/ N : 2.97<=V _{cc} <=3.63V	—	8.0	—	18		
Stand-by Current	I _{std}		—	5	—	5	μA	
Symmetry	SYM	@50% V _{cc}	45	55	45	55	%	
Rise/ Fall Time (10% to 90% Output Level)	tr/ tf	E : 1.6<=V _{cc} <=2.25V	—	6	—	—	ns	
		E : 2.25<=V _{cc} <=2.8V/ N : 2.25<=V _{cc} <=2.75V	—	5	—	6		
		E : 2.8<=V _{cc} <=3.63V/ N : 2.97<=V _{cc} <=3.63V	—	4.5	—	5		
Low Level Output Voltage	V _{OL}	I _{OL} =4mA	—	10% V _{cc}	—	10% V _{cc}	V	
High Level Output Voltage	V _{OH}	I _{OH} =-4mA	90% V _{cc}	—	90% V _{cc}	—	V	
Output Load	L _{CMOS}		15 ^{Note2}		15 ^{Note2}		pF	
Low Level Input Voltage	V _{IL}		—	30% V _{cc}	—	30% V _{cc}	V	
High Level Input Voltage	V _{IH}		70% V _{cc}	—	70% V _{cc}	—	V	
Disable Time	t _{dis}		—	200	—	150	ns	
Enable Time	t _{ena}		—	5	—	5	ms	
Start-up Time	t _{str}	@Minimum operating voltage to be 0 sec.	—	3	—	5	ms	
1 Sigma Jitter	J _{Sigma}	Measured with Wavecrest SIA-3000	—	5	—	4	ps	
Peak to Peak Jitter	J _{PK-PK}		—	50	—	40	ps	
Phase Jitter	J _{Phase}		BW : 12kHz to 20MHz	—	1.0	—	0.5	ps
Phase Noise	—	@25MHz	@10Hz offset	-89	—	-92	dBc/ Hz	
			@100Hz offset	-119	—	-126		
			@1kHz offset	-143	—	-151		
			@10kHz offset	-157	—	-160		
			@100kHz offset	-160	—	-167		
			@1MHz offset	-162	—	-170		
			@10MHz offset	-162	—	-170		

Note: All electrical characteristics are defined at the maximum load and operating temperature range.

Note1: Please contact us for inquiry about operating temperature range, available frequencies and other conditions.

Note2: Please contact us for Output Load 30pF.

Pad Connections	
#1	Enable/ Disable
#2	Case GND
#3	Output
#4	V _{cc}

INH Function	
Pad1	Pad3 (Output)
Open	Active
"H" Level	Active
"L" Level	High Z (No-Oscillation)