



Pb Free

RoHS Conforming

Surface Acoustic Wave Resonator for Remote Keyless Entry System(RKE)

Features

- World smallest size
- 1 Port Type SMD Resonator
- High Reliability
- Excellent Temperature Characteristics

Applications

- Remote Keyless Entry System(RKE)
- Garage Openers
- Security Systems

How to Order

PARM 315.00 K 04 R
① ② ③ ④ ⑤

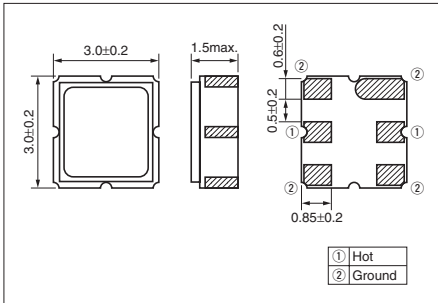
- ① Series
- ② Resonant Frequency(MHz)
- ③ Marking Code
- ④ Frequency tolerance or Custom Spec

00	±250kHz	03	±100kHz
01	±200kHz	04	±75kHz
02	±150kHz	11≤	Custom spec

- ⑤ Type

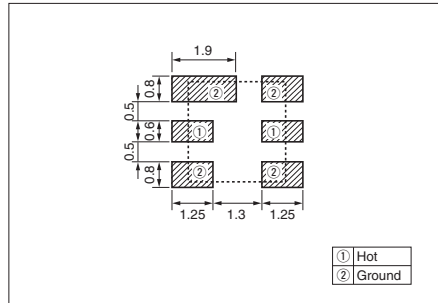
Dimensions

(Unit : mm)



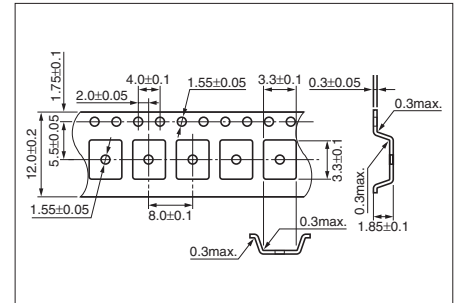
Recommended Land Pattern

(Unit : mm)



Packaging

(Unit : mm)



Specifications

Part Number	Resonant Frequency(MHz)	Resonant Loss(dB)	Parallel Capacitance(pF)	Temperature Characteristics(ppm/°C)	Operating Temperature(°C)	Storage Temperature(°C)
PARM315.00K00R	315.000±0.250	2.5 max.	4.0 max.	±8 max.	-40 to 85	-40 to 85
PARM433.92K00R	433.920±0.250					

Recommended Temperature IR Reflow

