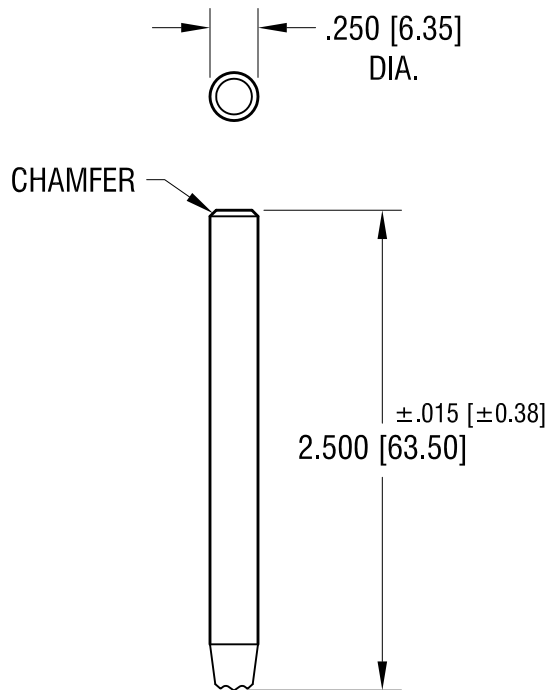


THIS DOCUMENT IS THE PROPERTY OF  
KEYSTONE ELECTRONICS CORP. AND  
SHALL NOT BE REPRODUCED, DISTRIBUTED  
OR USED AS A BASIS FOR MANUFACTURE  
WITHOUT PRIOR WRITTEN PERMISSION  
FROM KEYSTONE ELECTRONICS CORP.



<b>KEYSTONE ELECTRONICS CORP.</b>			
www.keyelco.com • ASTORIA, N.Y. 11105-2017 • Tel (718) 956-8900			
PART NAME		PUNCH	
MATERIAL		STEEL	
FINISH		DRN BY	DATE
ZINC PLATE		BOONE	7.21.82
		APP'D	SCALE
		LN	1X
TOLERANCES	INCH [MM]	CODE	DWG NO.
DECIMAL	± .005 [± 0.15]	C	1714
ANGULAR	± 1°		
UNLESS OTHERWISE SPECIFIED			

9.17.13	CHANGE AS PER ECN 13-071	B
5.20.93	REVISED FINISH	A
DATE	DESCRIPTION	REV.