

## Standard Features

- **Protection Level:** IP66 (NEMA 4X)
- **Technical:** Smooth or Knockout Sidewalls  
Gray or Tinted Transparent Cover ①  
Multiple Enclosure Mounting Options
- **Enclosure Material:** Polystyrene or Polycarbonate
- **Gasket Material:** Polyurethane
- **Color:** Light Gray
- **Temperature Range:** Polystyrene  
-40°C to 70°C (-40°F to 158°F)  
Polycarbonate  
-35°C to 120°C (-31°F to 248°F)
- **Accessories:** See section below



## Smooth Sidewalls

| Ordering Information      | Height mm (in)   | Polystyrene |               |             |          | Polycarbonate |               |             |          |
|---------------------------|------------------|-------------|---------------|-------------|----------|---------------|---------------|-------------|----------|
|                           |                  | Cat. No.    | Type          | Cover Color | Std. Pk. | Cat. No.      | Type          | Cover Color | Std. Pk. |
| Enclosure - low cover     | 90 mm (3.54 in)  | 110-408     | PS 2518-9-o   | gray        | 1        | 120-408       | PC 2518-9-o   | gray        | 1        |
| Enclosure - high cover    | 111 mm (4.37 in) | 110-908     | PS 2518-11-o  | gray        | 1        | 120-908       | PC 2518-11-o  | gray        | 1        |
| Enclosure - top hat cover | 165 mm (6.50 in) | 109-408     | PS 2518-16-o  | gray        | 1        | 121-408       | PC 2518-16-o  | gray        | 1        |
| Enclosure - low cover     | 90 mm (3.54 in)  | 111-008     | PS 2518-9-to  | trans.      | 1        | 130-008       | PC 2518-9-to  | trans.      | 1        |
| Enclosure - high cover    | 111 mm (4.37 in) | 111-508     | PS 2518-11-to | trans.      | 1        | 130-508       | PC 2518-11-to | trans.      | 1        |
| Enclosure - top hat cover | 165 mm (6.50 in) | 112-008     | PS 2518-16-to | trans.      | 1        | 131-008       | PC 2518-16-to | trans.      | 1        |

## Sidewalls with PG Knockouts (metric available)

| Ordering Information      | Height mm (in)   | Polystyrene |              |             |          | Polycarbonate |              |             |          |
|---------------------------|------------------|-------------|--------------|-------------|----------|---------------|--------------|-------------|----------|
|                           |                  | Cat. No.    | Type         | Cover Color | Std. Pk. | Cat. No.      | Type         | Cover Color | Std. Pk. |
| Enclosure - low cover     | 90 mm (3.54 in)  | 115-408     | PS 2518-9    | gray        | 1        | 125-408       | PC 2518-9    | gray        | 1        |
| Enclosure - high cover    | 111 mm (4.37 in) | 115-908     | PS 2518-11   | gray        | 1        | 125-908       | PC 2518-11   | gray        | 1        |
| Enclosure - top hat cover | 165 mm (6.50 in) | 114-408     | PS 2518-16   | gray        | 1        | 126-408       | PC 2518-16   | gray        | 1        |
| Enclosure - low cover     | 90 mm (3.54 in)  | 116-008     | PS 2518-9-t  | trans.      | 1        | 135-008       | PC 2518-9-t  | trans.      | 1        |
| Enclosure - high cover    | 111 mm (4.37 in) | 116-508     | PS 2518-11-t | trans.      | 1        | 135-508       | PC 2518-11-t | trans.      | 1        |
| Enclosure - top hat cover | 165 mm (6.50 in) | 117-008     | PS 2518-16-t | trans.      | 1        | 136-008       | PC 2518-16-t | trans.      | 1        |

## RK Enclosures with Terminal Blocks

| Ordering Information                | Height          | Cat. No. | Type   | Cover Color | Std. Pk. |
|-------------------------------------|-----------------|----------|--------|-------------|----------|
| Enclosure - 32 pole/10 AWG Terminal | 90 mm (3.54 in) | 625-404  | RK2518 | gray        | 1        |
| Enclosure - DIN Rail only (TS35)    | 90 mm (3.54 in) | 625-916  | RK2518 | gray        | 1        |

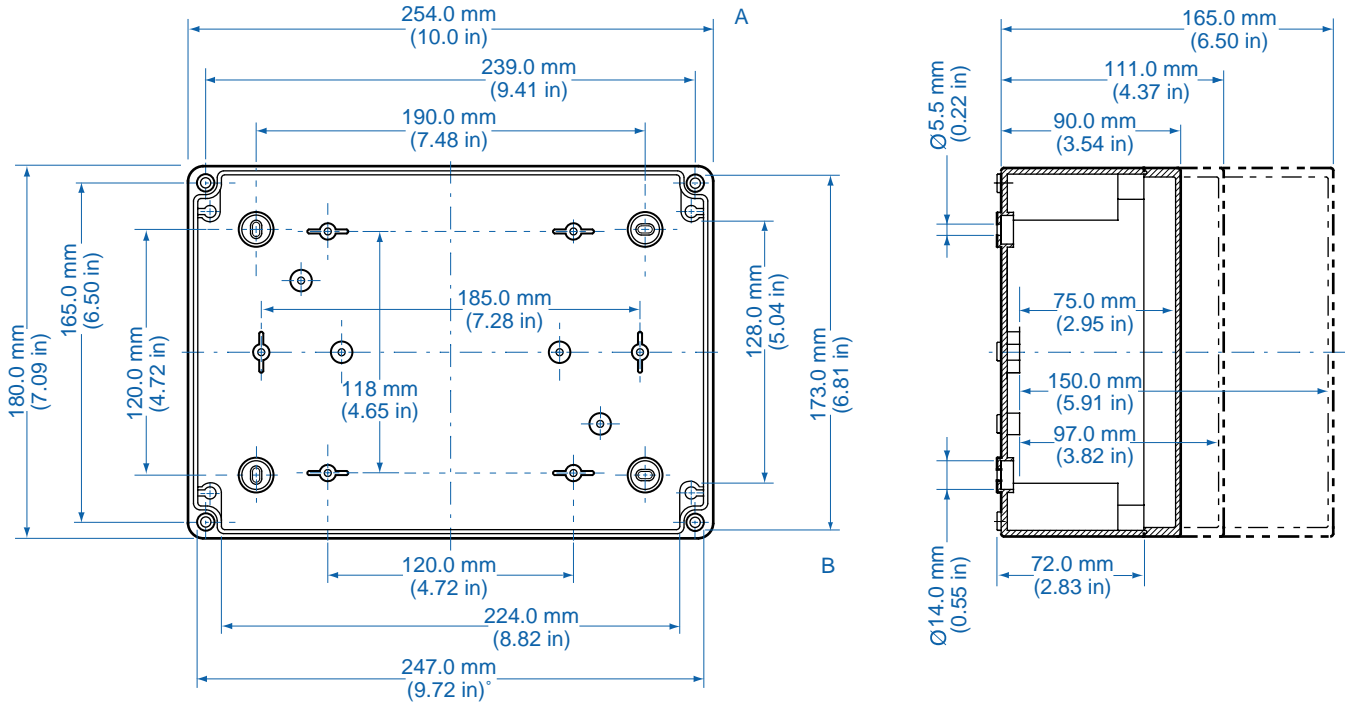
## Accessories

| Ordering Information | Cat. No. | Type      | Std. Pk. |
|----------------------|----------|-----------|----------|
| Mounting Plate       | 195-008  | MP2518    | 1        |
| DIN Rail TS35-216mm  | Z-652    | TS 35/216 | 1        |
| Hinge Kit Set        | 190-005  | HK2       | 1        |
| Mounting Tab Kit     | 194-001  | MT1       | 1        |

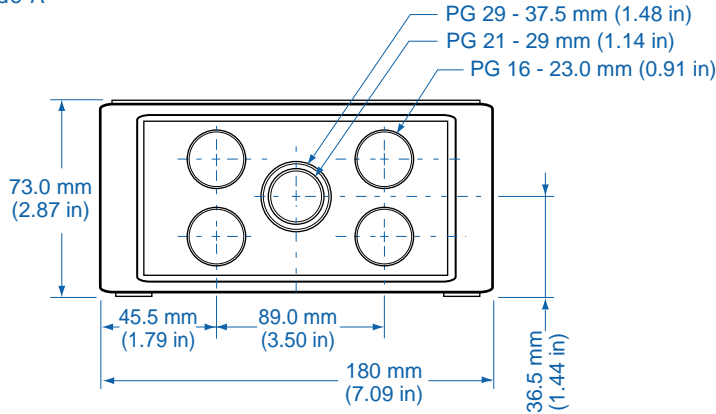
Please refer to pages 106-113 for additional accessories and detailed information.

① Clear transparent lids available upon request

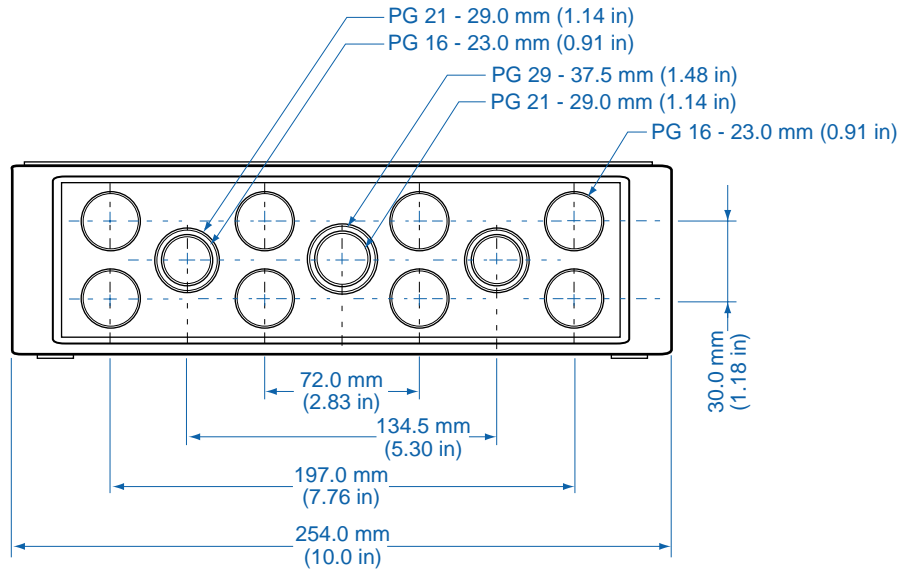
Dimensions



Knockout Positions <sup>®</sup> Side A



Side B



<sup>®</sup> Metric knockouts available upon request