

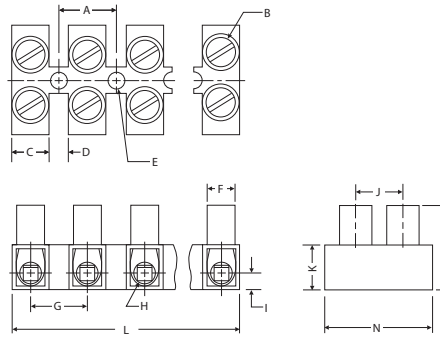
# FEED-THROUGH FLAT BASE EUROSTRIPS® 300V - Panel Mount

For wire-to-wire connections in HVAC, appliance, equipment, power distribution and other industrial applications with strict budget and space requirements.

Easy to use double row terminal strips are a cost-effective alternative to barrier strips or other types of terminal blocks. Simply strip the wire, insert, and tighten the screw.<sup>a</sup> Eurostrips® feature tubular screw clamps, with or without wire protectors, and recessed metal parts for finger protection. The wire protectors include an integral wire stop in the center of the terminal. The stainless steel wire protectors exhibit excellent memory and the wire stop insures the most effective connection.

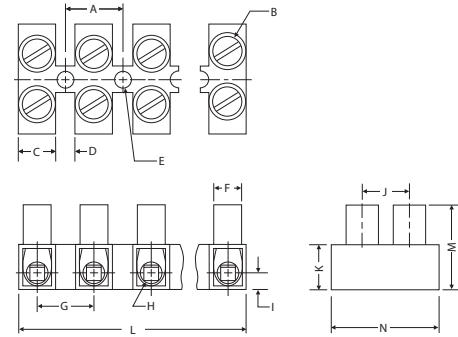
Eurostrips® described on this and the following page are available with a flat base for minimum clearance applications. They can be panel mounted or left to free float. Offered in easy to cut standard 12 pole strips, they can also be ordered precut with the required number of poles.

- Tubular Screw Clamp
- With or Without Wire Protectors
- Panel Mount or Free Float
- Housing Material: Polyamide 6.6
- Color: Opaque White
- Marking Plates or Factory Imprinted



## TS1.5

Flat Base  
Pole Spacing 8mm (.315)  
Mounting Hole Diameter 2.8mm (.110)  
Stripping Length 5mm (.197)



## TS2.5

Flat Base  
Pole Spacing 10mm (.394)  
Mounting Hole Diameter 3.5mm (.138)  
Stripping Length 6mm (.236)

### Ratings

IEC/VDE

UL (File No. E103245)

CSA (File No. 038962 0 000)

| Wire Range         | Current | Voltage |
|--------------------|---------|---------|
| 1.5mm <sup>2</sup> | 18A     | 380V    |
| 22-12 AWG          | 20A     | 300V    |
| 22-16 AWG          | 15A     | 300V    |

| Wire Range         | Current | Voltage |
|--------------------|---------|---------|
| 2.5mm <sup>2</sup> | 26A     | 380V    |
| 22-10 AWG          | 30A     | 300V    |
| 18-12 AWG          | 30A     | 300V    |

| Ordering Information                             | No. of Poles  | TS1.5      |          |                     |             | TS2.5      |          |                     |             |
|--|---|------------|----------|---------------------|-------------|------------|----------|---------------------|-------------|
|  |   | Type       | Cat. No. | Length (L) mm (in.) | Std. Pk.    | Type       | Cat. No. | Length (L) mm (in.) | Std. Pk.    |
| <b>Eurostrip®, Flat Base with Wire Protector</b> | 2   | TS1.5/2wp  | 40.002   | 13.6 ( .53)         | 100         | TS2.5/2wp  | 40.202   | 17.0 ( .67)         | 100         |
|  | 3   | TS1.5/3wp  | 40.003   | 21.5 ( .85)         | 100         | TS2.5/3wp  | 40.203   | 27.0 (1.06)         | 100         |
|  | 4   | TS1.5/4wp  | 40.004   | 29.5 (1.16)         | 100         | TS2.5/4wp  | 40.204   | 37.0 (1.46)         | 100         |
|  | 5   | TS1.5/5wp  | 40.005   | 37.4 (1.47)         | 100         | TS2.5/5wp  | 40.205   | 47.0 (1.85)         | 100         |
|  | 6   | TS1.5/6wp  | 40.006   | 45.4 (1.79)         | 50          | TS2.5/6wp  | 40.206   | 57.0 (2.24)         | 50          |
|  | 7   | TS1.5/7wp  | 40.007   | 53.3 (2.10)         | 50          | TS2.5/7wp  | 40.207   | 67.0 (2.64)         | 50          |
|  | 8   | TS1.5/8wp  | 40.008   | 61.3 (2.41)         | 50          | TS2.5/8wp  | 40.208   | 77.0 (3.03)         | 50          |
|  | 9   | TS1.5/9wp  | 40.009   | 69.2 (2.72)         | 50          | TS2.5/9wp  | 40.209   | 87.0 (3.43)         | 50          |
|  | 10  | TS1.5/10wp | 40.010   | 77.2 (3.04)         | 50          | TS2.5/10wp | 40.210   | 97.0 (3.82)         | 50          |
|  | 11  | TS1.5/11wp | 40.011   | 85.1 (3.35)         | 50          | TS2.5/11wp | 40.211   | 107.0 (4.21)        | 50          |
|  | 12  | TS1.5/12wp | 40.012   | 93.0 (3.66)         | 50          | TS2.5/12wp | 40.212   | 117.0 (4.61)        | 50          |
|  | <b>Eurostrip®, Flat Base without Wire Protector<sup>b</sup></b> | 2          | TS1.5/2  | 40.052              | 13.6 ( .53) | 100        | TS2.5/2  | 40.252              | 17.0 ( .67) |
| 3  |   | TS1.5/3    | 40.053   | 21.5 ( .85)         | 100         | TS2.5/3    | 40.253   | 27.0 (1.06)         | 100         |
| 4  |   | TS1.5/4    | 40.054   | 29.5 (1.16)         | 100         | TS2.5/4    | 40.254   | 37.0 (1.46)         | 100         |
| 5  |   | TS1.5/5    | 40.055   | 37.4 (1.47)         | 100         | TS2.5/5    | 40.255   | 47.0 (1.85)         | 100         |
| 6  |   | TS1.5/6    | 40.056   | 45.4 (1.79)         | 50          | TS2.5/6    | 40.256   | 57.0 (2.24)         | 50          |
| 7  |   | TS1.5/7    | 40.057   | 53.3 (2.10)         | 50          | TS2.5/7    | 40.257   | 67.0 (2.64)         | 50          |
| 8  |   | TS1.5/8    | 40.058   | 61.3 (2.41)         | 50          | TS2.5/8    | 40.258   | 77.0 (3.03)         | 50          |
| 9  |   | TS1.5/9    | 40.059   | 69.2 (2.72)         | 50          | TS2.5/9    | 40.259   | 87.0 (3.43)         | 50          |
| 10   |   | TS1.5/10   | 40.060   | 77.2 (3.04)         | 50          | TS2.5/10   | 40.260   | 97.0 (3.82)         | 50          |
| 11   |   | TS1.5/11   | 40.061   | 85.1 (3.35)         | 50          | TS2.5/11   | 40.261   | 107.0 (4.21)        | 50          |
| 12   |   | TS1.5/12   | 40.062   | 93.0 (3.66)         | 50          | TS2.5/12   | 40.262   | 117.0 (4.61)        | 50          |

For Accessories, please refer to pages 50, 51

### Dimensions mm (in.)

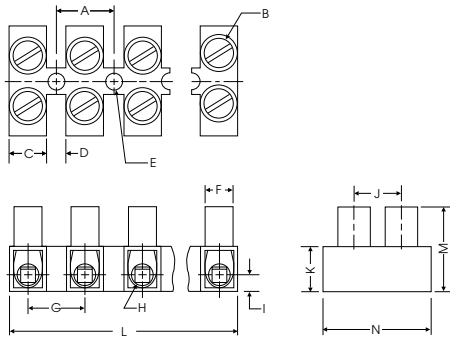
|                |                  |                 |
|----------------|------------------|-----------------|
| A = 8.0 (.315) | E = Ø2.8 (.110)  | I = 2.5 (.099)  |
| B = M2.5 x 4.3 | F = Ø5.35 (.211) | J = 7.5 (.296)  |
| C = 5.6 (.221) | G = 8.0 (.315)   | K = 6.7 (.264)  |
| D = 2.4 (.095) | H = Ø3.0 (.118)  | M = 13.7 (.540) |
|                |                  | N = 18.2 (.716) |

### Dimensions mm (in.)

|                 |                 |                 |
|-----------------|-----------------|-----------------|
| A = 10.0 (.394) | E = Ø3.5 (.137) | I = 3.0 (.118)  |
| B = M3 x 5.8    | F = Ø5.7 (.225) | J = 9.5 (.374)  |
| C = 6.4 (.252)  | G = 10.0 (.394) | K = 8.0 (.315)  |
| D = 3.5 (.138)  | H = Ø3.6 (.142) | M = 15.5 (.611) |
|                 |                 | N = 21.8 (.858) |

<sup>a</sup> Clamp screws are zinc chromated steel. Stainless steel or nickel plated brass screws are available, consult Altech for ordering information.

<sup>b</sup> Use for solid wire or wire with a ferrule.



## TS6

Flat Base  
 Pole Spacing 12mm (.472)  
 Mounting Hole Diameter 4.2mm (.165)  
 Stripping Length 7mm (.276)

| Wire Range       | Current | Voltage |
|------------------|---------|---------|
| 6mm <sup>2</sup> | 44A     | 380V    |
| 20-8 AWG         | 40A     | 300V    |
| 18-10 AWG        | 40A     | 300V    |

| Type     | Cat. No. | Length (L)<br>mm (in.) | Std. Pk. |
|----------|----------|------------------------|----------|
| TS6/2wp  | 40.402   | 20.0 ( .79)            | 100      |
| TS6/3wp  | 40.403   | 32.0 (1.26)            | 100      |
| TS6/4wp  | 40.404   | 44.0 (1.73)            | 100      |
| TS6/5wp  | 40.405   | 56.0 (2.21)            | 100      |
| TS6/6wp  | 40.406   | 68.0 (2.68)            | 50       |
| TS6/7wp  | 40.407   | 80.0 (3.15)            | 50       |
| TS6/8wp  | 40.408   | 92.0 (3.62)            | 50       |
| TS6/9wp  | 40.409   | 104.0 (4.10)           | 50       |
| TS6/10wp | 40.410   | 116.0 (4.57)           | 25       |
| TS6/11wp | 40.411   | 128.0 (5.03)           | 25       |
| TS6/12wp | 40.412   | 140.0 (5.51)           | 25       |
| TS6/2    | 40.452   | 20.0 ( .79)            | 100      |
| TS6/3    | 40.453   | 32.0 (1.26)            | 100      |
| TS6/4    | 40.454   | 44.0 (1.73)            | 100      |
| TS6/5    | 40.455   | 56.0 (2.21)            | 100      |
| TS6/6    | 40.456   | 68.0 (2.68)            | 50       |
| TS6/7    | 40.457   | 80.0 (3.15)            | 50       |
| TS6/8    | 40.458   | 92.0 (3.62)            | 50       |
| TS6/9    | 40.459   | 104.0 (4.10)           | 50       |
| TS6/10   | 40.460   | 116.0 (4.57)           | 25       |
| TS6/11   | 40.461   | 128.0 (5.03)           | 25       |
| TS6/12   | 40.462   | 140.0 (5.51)           | 25       |

### Dimensions mm (in.)

|                 |                 |                 |
|-----------------|-----------------|-----------------|
| A = 12.0 (.472) | E = Ø4.4 (.173) | I = 4.3 (.169)  |
| B = M3.5 x 7    | F = Ø6.8 (.268) | J = 9.5 (.374)  |
| C = 7.6 (.299)  | G = 12.0 (.472) | K = 9.0 (.354)  |
| D = 4.3 (.169)  | H = Ø4.2 (.165) | M = 17.7 (.697) |
|                 |                 | N = 23.0 (.906) |