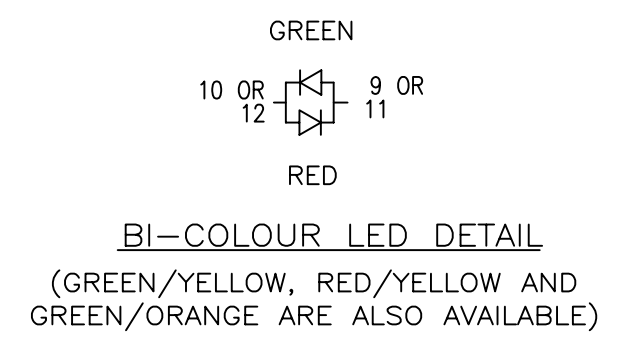
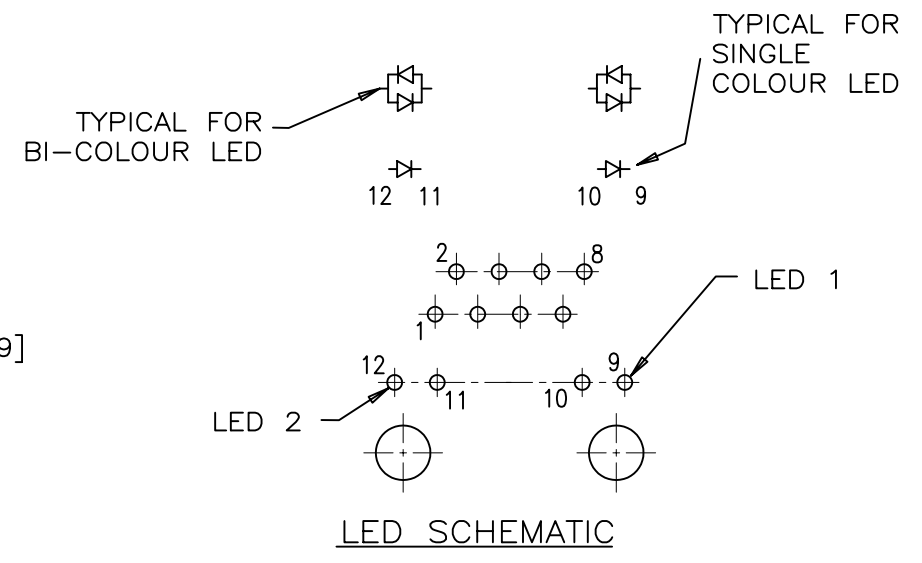
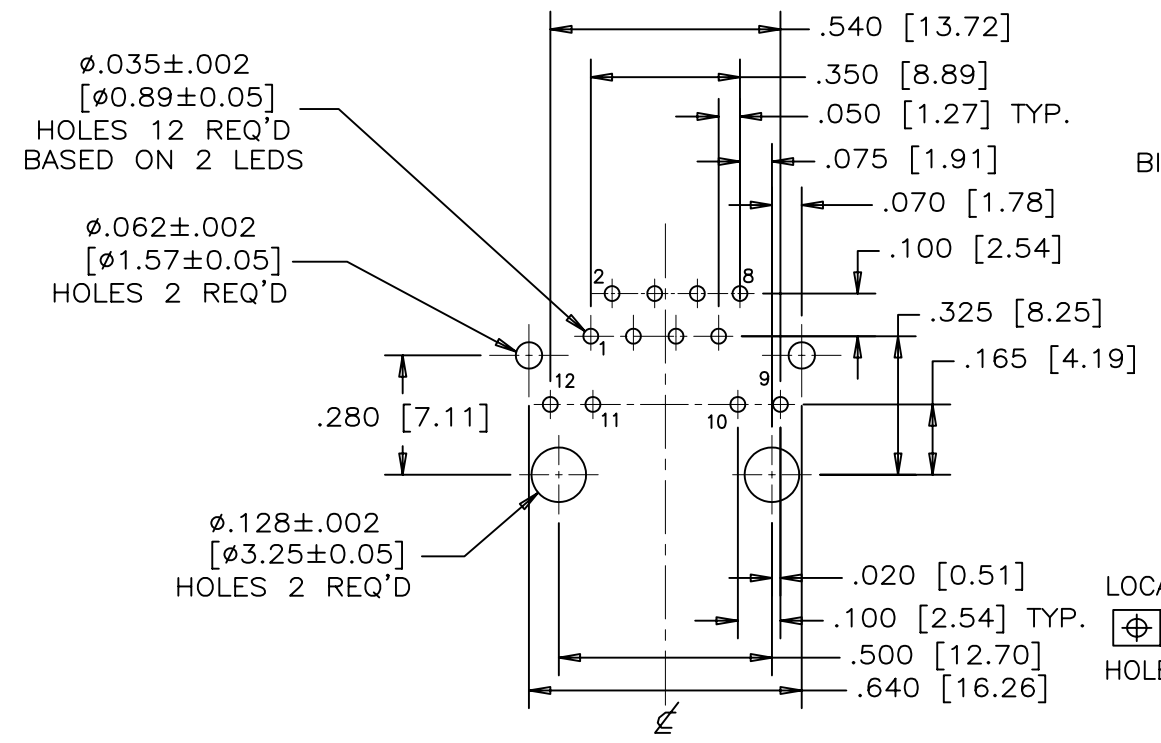
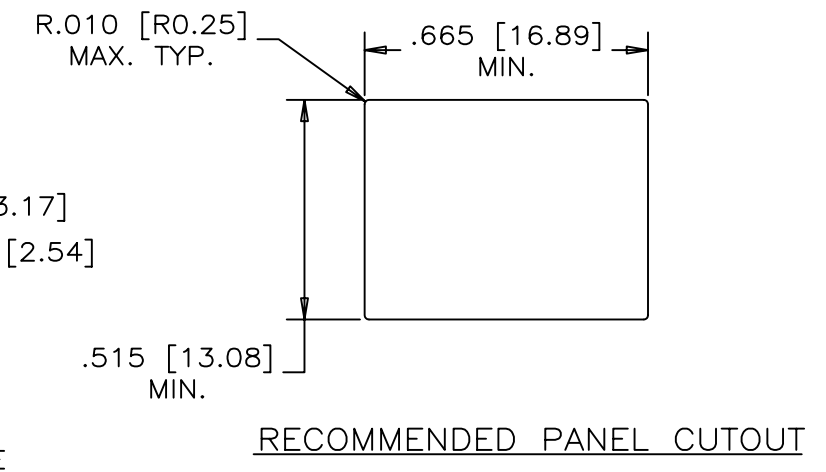
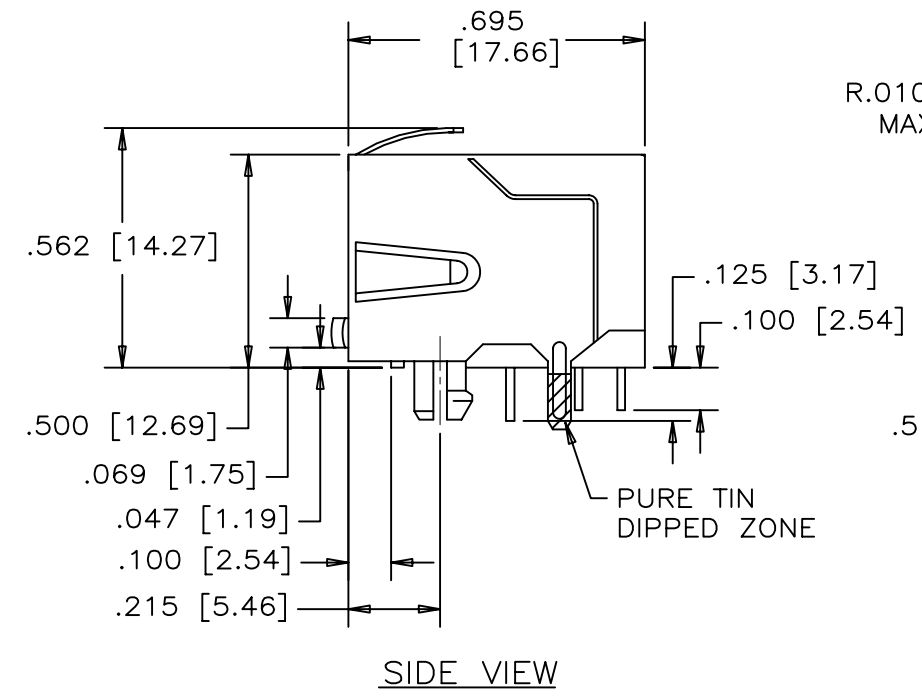
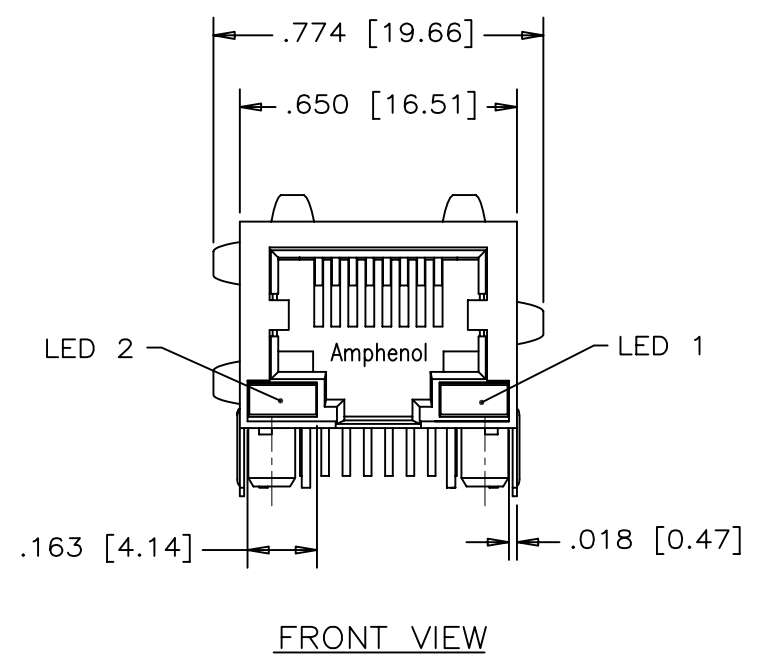


| REVISIONS | | | | |
|-----------|------|--------------|----------|--------|
| SYM | ZONE | ECN, ERN NO. | DATE | APPRD. |
| B | | PROPOSAL | 05/12/29 | L.CHAN |



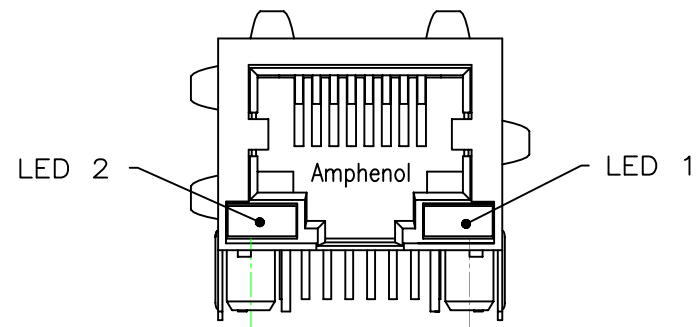
- MATERIALS:**
- CONTACTS: PHOSPHOR BRONZE, SELECTIVELY PLATED WITH 50 MICRO" GOLD ON MATING AREAS. 50 MICRO" MIN. NICKEL OVERALL. 100 MICRO" MIN. MATTE TIN OR GOLD FLASH ON TAILS.
 - HOUSING: HIGH TEMPERATURE THERMOPLASTIC COLOR - BLACK. FLAMMABILITY RATING UL 94V-0
 - SHIELD: COPPER ALLOY
 - PLATING: NIVKEL WITH PURE-TIN DIPPED PCB TAILS.

PART NO.: RJSBE-538X-C1X
REFER TO LED OPTIONS DRAWING FOR ORDERING CODES

| | | | | |
|-------------------------------|--------------------|--|------------------|--------------|
| DRAWN PAUL WANG | DATE 05/12/29 | Amphenol Canada Corp. | | |
| DESIGNED | | | | |
| CHECKED CHIGOW | 12/29/05 | TITLE MODULAR JACK | | |
| I. E. APPRD. | | 8 CONTACTS, WITH LED OPTIONS, SHIELDED | | |
| Q. A. APPRD. | | .050" CONTACT TAIL SPACING, FORWARD LED TAILS - ROHS COMPLIANT | | |
| DWG. APPRD. | | DWG | DRAWING NO. | REV. |
| ENG. REL. NO. | | | P-RJSBE-538X-C1X | B |
| REF. | | SCALE | WT. ----- | SURF. ----- |
| DIMENSIONS ARE IN INCHES [mm] | CODE ID. NO. 03554 | | | SHEET 1 OF 1 |

THIS DOCUMENT CONTAINS PROPRIETARY INFORMATION AND SUCH INFORMATION MAY NOT BE DISCLOSED TO OTHERS FOR ANY PURPOSE OR USED FOR MANUFACTURING PURPOSES WITHOUT WRITTEN PERMISSION FROM AMPHENOL CANADA CORP.

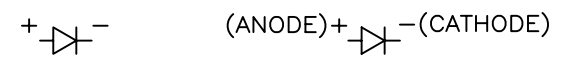
| REVISIONS | | | | |
|-----------|------|--------------|----------|--------|
| SYM | ZONE | ECN, ERN NO. | DATE | APPRD. |
| A | | PROPOSAL | 05/07/22 | L.CHAN |



TYPICAL FOR SINGLE & MULTI-PORT

EXAMPLE:

PART NUMBER RJSBE-538X-C1



LED COLOR CODE

| CODE | LED 2 (LEFT) | LED 1 (RIGHT) | CODE | LED 2 (LEFT) | LED 1 (RIGHT) | CODE | LED 2 (LEFT) | LED 1 (RIGHT) |
|------|--------------|---------------|------|--------------|---------------|------|--------------------|---------------|
| 0 | BLOCKED | BLOCKED | 9 | GREEN | BLOCKED | J | BiC RD/GR | YELLOW |
| 1 | YELLOW | GREEN | A | BiC GR/YE | BiC GR/YE | K | YELLOW | BiC GR/OR |
| 2 | BLOCKED | GREEN | B | BiC RD/GR | BiC RD/GR | L | BiC GR/YE | RED |
| 3 | YELLOW | BLOCKED | C | BiC RD/GR | BiC GR/YE | M | RED | YELLOW |
| 4 | GREEN | YELLOW | D | GREEN | BiC GR/YE | N | BiC GR/RD | BiC GR/YE |
| 5 | GREEN | GREEN | E | YELLOW | BiC GR/YE | P | GREEN | BiC RD/GR |
| 6 | YELLOW | YELLOW | F | BiC GR/YE | YELLOW | R | BiC GR/OR | GREEN |
| 7 | RED | GREEN | G | BiC GR/OR | BiC GR/OR | T | RED | RED |
| 8 | GREEN | RED | H | BiC GR/YE | GREEN | V | BiC RD/GR | GREEN |
| | | | | | | W | ADDITIONAL OPTIONS | |

EXAMPLE OF ADDITIONAL LED OPTIONS:

PART NUMBER RJSBE-538W-C1X

ADDITIONAL LED COLOR CODE

↑ DENOTES ADDITIONAL LED OPTIONS TO BE USED

| CODE | LED 2 (LEFT) | LED 1 (RIGHT) | CODE | LED 2 (LEFT) | LED 1 (RIGHT) | CODE | LED 2 (LEFT) | LED 1 (RIGHT) |
|------|--------------|---------------|------|--------------|---------------|------|--------------|---------------|
| 0 | DO NOT USE | | 5 | BLOCKED | YELLOW | A | LOWC YE | LOWC YE |
| 1 | RED | BLOCKED | 6 | RED | BiC RD/GR | B | LOWC YE | LOWC GR |
| 2 | BiC GR/OR | YELLOW | 7 | | | C | LOWC GR | LOWC YE |
| 3 | YELLOW | RED | 8 | BiC RD/GR | BLOCKED | D | LOWC GR | LOWC GR |
| 4 | BLOCKED | RED | 9 | BiC GR/YE | BLOCKED | M | LOWC RD | LOWC YE |
| | | | | | | N | GEEEN | BiC GR/OR |

LED SPECIFICATIONS:

FORWARD VOLTAGE: 2.1 VOLTS TYP.
 REVERSE VOLTAGE: 5.0 VOLTS MIN.
 LUMINOUS INTENSITY: 0.5 mCd MIN.

(AT If=2mA)

STORAGE TEMPERATURE: -20° TO 85° C
 LEAD SOLDERING TEMPERATURE: 260° C

(5 SEC, 1/16" FROM CASE)

PLATING ON TAILS: TIN OR TIN/COPPER ALLOY OVER SILVER

PRIMARY COLOR FOR BI-COLOR
 LEDS IN STANDARD ANODE/
 CATHODE CONFIGURATION IS:

- RED-GREEN= RED
- RED-YELLOW= RED
- GREEN-YELLOW= GREEN
- GREEN-ORANGE= GREEN

LEGEND

- BiC=BI-COLOR LED
- LOWC=LOW CURRENT LED
- YE=YELLOW
- GR=GREEN
- RD=RED
- OR=ORANGE

NOTE:

THE TWO DIGITS PRECEDING THE
 ADDITIONAL LED CODE MUST BE
 USED IN THE PART NUMBER, WHEN
 ORDERING ANY OF THE ADDITIONAL
 LED OPTIONS.

| | | | | | |
|-------------------------------|--------------------|--|-----------|-------------|--------------|
| DRAWN PAUL WANG | DATE 05/07/22 | Amphenol Canada Corp. | | | |
| DESIGNED | | | | | |
| CHECKED TERRY | 05/07/22 | TITLE LED OPTIONS FOR RJSBE, SINGLE & MULTI-PORT CONNECTORS - RoHS COMPLIANT | | | |
| I. E. APPRD. | | | | | |
| Q. A. APPRD. | | DWG DRAWING NO. P-RJSBE-LEDS | REV. A | | |
| DWG. APPRD. | | | | | |
| ENG. REL. NO. | | SCALE | WT. ----- | SURF. ----- | SHEET 1 OF 1 |
| REF. | | | | | |
| DIMENSIONS ARE IN INCHES [mm] | CODE ID. NO. 03554 | | | | |

THIS DOCUMENT CONTAINS PROPRIETARY INFORMATION AND SUCH INFORMATION
 MAY NOT BE DISCLOSED TO OTHERS FOR ANY PURPOSE OR USED FOR MANUFACTURING
 PURPOSES WITHOUT WRITTEN PERMISSION FROM AMPHENOL CANADA CORP.