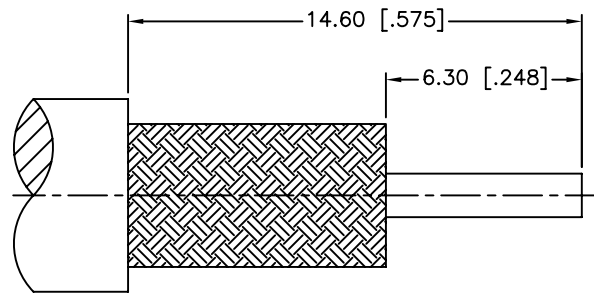
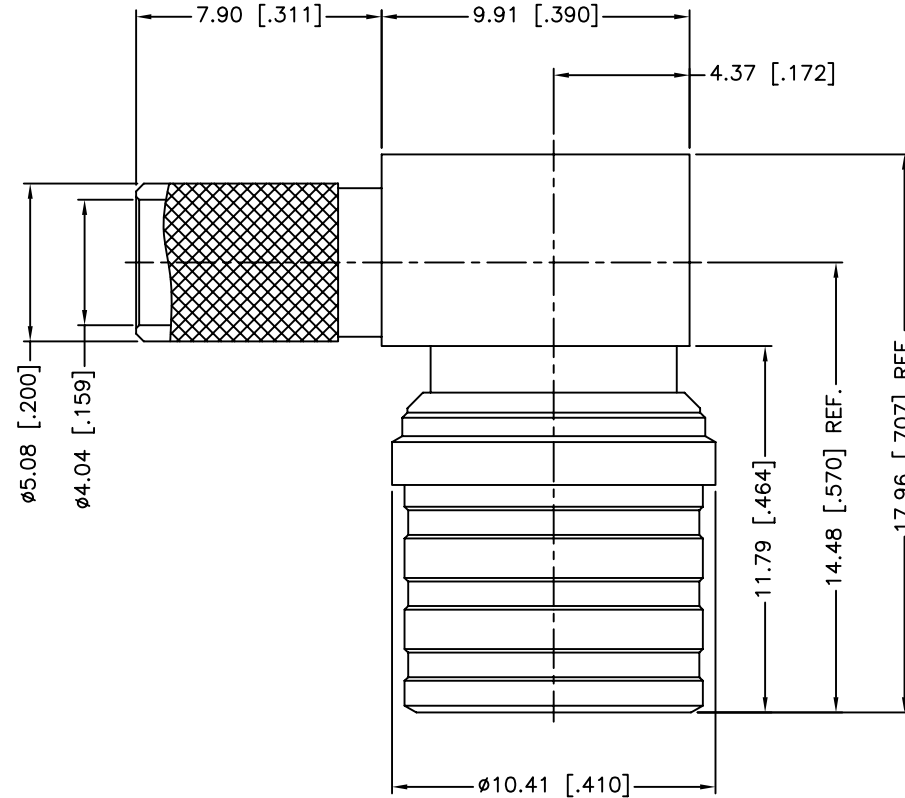
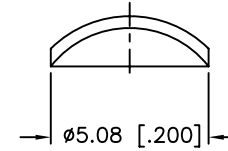
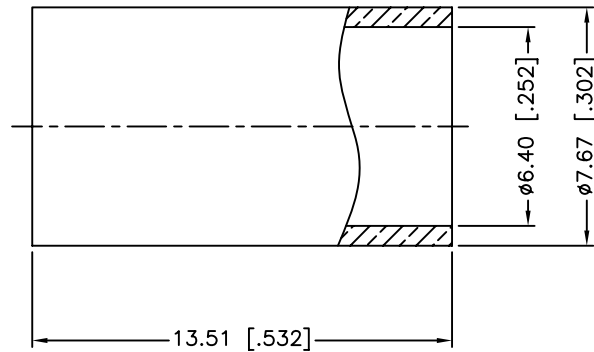


REV.	DATE	ECR NO.	DESCRIPTION
NC	06/07/11	XXXXXX	INITIAL RELEASE



RECOMMENDED
CABLE STRIPPING DIM'S



1. CRIMPED FERRULE
HEX CRIMP SIZE .255"
2. CONTACT PIN TO SOLDER
3. IMPEDANCE:50 OHM
4. FREQUENCY RANGE: 0-6 GHz
5. DIELECTRIC WITHSTANDING VOLTAGE: 1000 VRMS MIN.

DESCRIPTION	MATERIAL	FINISH	QTY
7 FERRULE	COPPER	NEXCOTE	1
6 CAP	BRASS	NEXCOTE	1
5 CONTACT PIN	BRASS	GOLD	1
4 SLEEVE	BRASS	NEXCOTE	1
3 OUT CONTACT	PHOSPHOR BRONZE	NEXCOTE	1
2 INSULATOR	PTFE	NATURAL	1
1 BODY	BRASS	NEXCOTE	1

UNLESS OTHERWISE SPECIFIED DIMENSIONS ARE IN MILLIMETERS. DIMENSIONS IN [] ARE IN INCHES AND FOR CUSTOMER REFERENCE ONLY.

UNLESS OTHERWISE SPECIFIED TOLERANCES FOR MILLIMETERS ARE:
 0.5 - 8mm ± 0.20mm
 8 - 30mm ± 0.40mm
 30 - 120mm ± 0.50mm

UNLESS OTHERWISE SPECIFIED TOLERANCES FOR INCHES ARE:
 .020 - .315 = ± 0.007"
 .315 - 1.180 = ± 0.015"
 1.180 - 4.724 = ± 0.020"

DO NOT SCALE DRAWING

APPROVALS	DATE
DRAWN M.ZHANG	06/07/11
CHECKED	
ISSUED	
SHEET 1 OF 1	
CAD FILE	C:/CONNEX/134105.DWG

Amphenol Connex

PART DESCRIPTION
**QMA R/A CRIMP PLUG - 50 ohm
 (FOR LMR-240 CABLE)**

PART NO.
134105

DWG. NO. 134105.DWG	REV. NC	SIZE A	SCALE NA
---------------------	---------	--------	----------