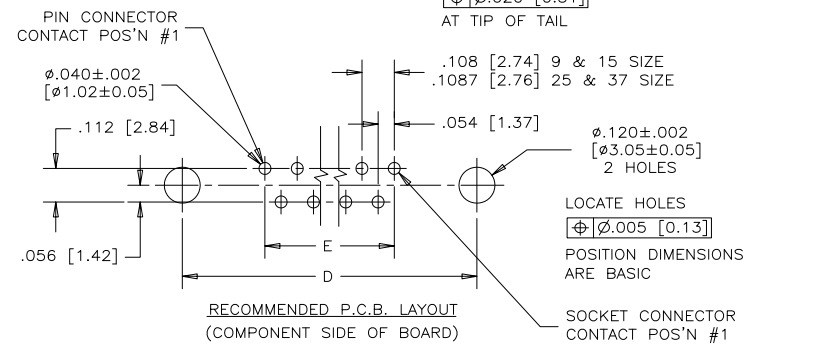
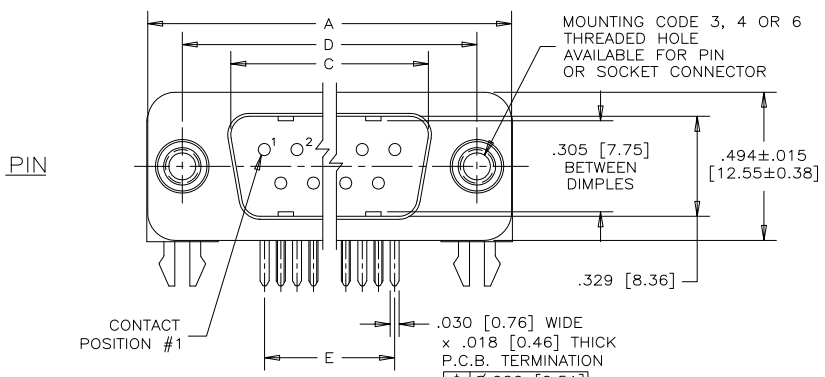
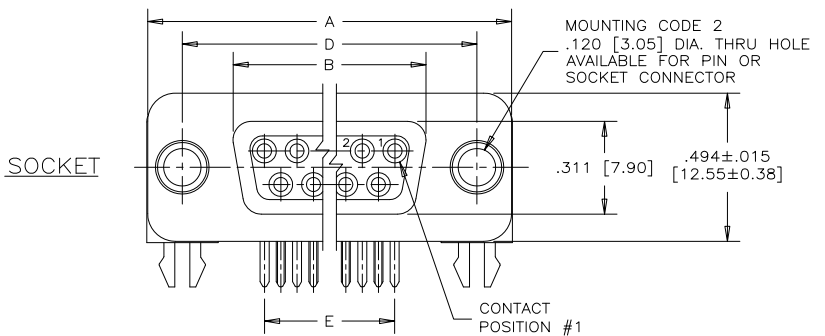
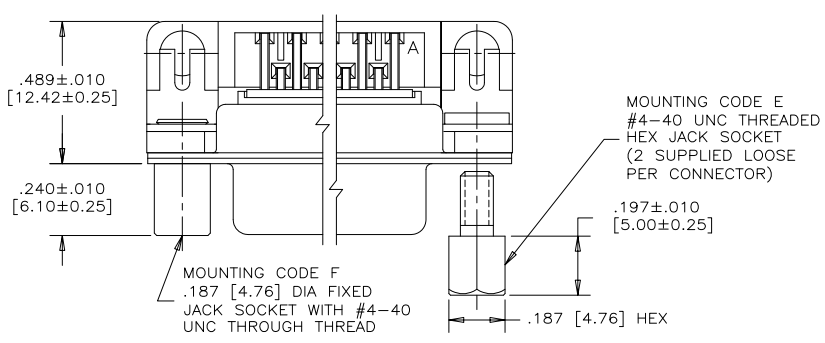


REVISIONS			
REV	ECN, ERN NO.	DATE	APPRD.
H	PRODUCT DRAWING (EAR 14498)	NOV9/16	K.L.

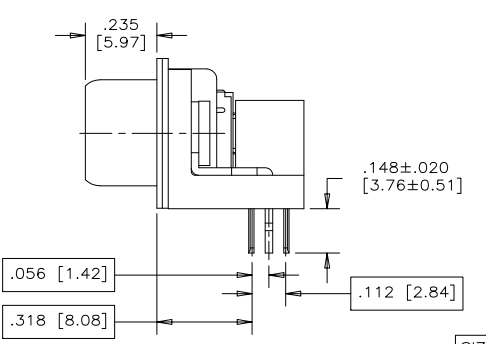
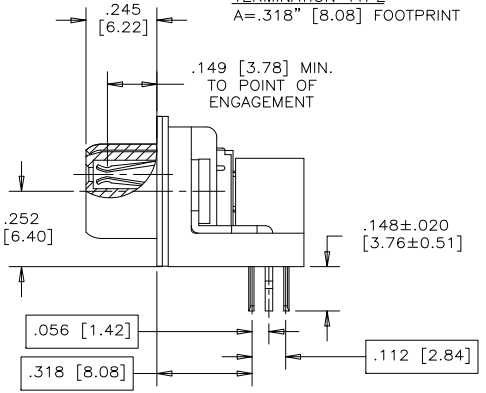


ORDERING CODE: F C E 1 7 - E 0 9 P A - 4 4 0 G  
 SERIES \_\_\_\_\_  
 FCE17=FILTERED D-SUB, RoHS  
 SIZE/NUMBER OF CONTACTS \_\_\_\_\_  
 E09, A15, B25, OR C37  
 CONNECTOR STYLE \_\_\_\_\_  
 P=PIN  
 S=SOCKET  
 TERMINATION TYPE \_\_\_\_\_  
 A=.318" [8.08] FOOTPRINT

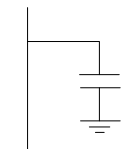
CONTACT FINISH/GOLD THICKNESS  
 NO DIGIT=STANDARD 15 MICROINCHES  
 [0.38 MICRONS] GOLD ON  
 MATING AREA  
 G=50 MICROINCHES [1.27 MICRONS]  
 GOLD ON MATING AREA  
 MODIFIER  
 O=STANDARD  
 FILTER CAPACITANCE  
 D=50 pF 5=1000 pF  
 B=100 pF 7=1200 pF  
 O=180 pF 6=1300 pF  
 F=330 pF J=1500 pF  
 L=380 pF E=2200 pF  
 1=470 pF 9=5600 pF  
 4=820 pF 8=47000 pF  
 N=NO FILTERS  
 REFER TO AMPHENOL  
 CATALOGUE FOR FILTER  
 PERFORMANCE CHARACTERISTICS

MOUNTING  
 2=.120 [3.05] DIA THROUGH HOLE  
 3=#4-40 UNC SELF-LOCKING THREAD  
 4=#4-40 UNC THREAD  
 6=M3 x 0.5 THREAD  
 E=CODE 4 MOUNTING WITH #4-40  
 UNC HEX JACK SOCKETS SUPPLIED.  
 F=#4-40 UNC FIXED ROUND JACK SOCKET

- NOTES:
- MATERIALS: ALL MATERIALS ARE RoHS COMPLIANT.
    - SHELL: STEEL, TIN PLATED
    - CONTACTS: PHOSPHOR BRONZE, PLATED WITH GOLD OVER 50µ" [1.27 MICRONS] MINIMUM NICKEL IN THE MATING AREA AND 100µ" [2.54 MICRONS] MINIMUM MATTE TIN ON THE TAILS.
    - INSULATOR: ENGINEERING THERMOPLASTIC, GLASS REINFORCED, UL FLAMMABILITY RATING 94V-0, COLOUR: BLACK
    - BOARDLOCK: COPPER ALLOY, TIN PLATED
    - MOUNTING HARDWARE, STEEL OR COPPER ALLOY, TIN OR NICKEL PLATED.
  - CONTACT RESISTANCE: 15 MILLIOHMS MAXIMUM
  - INSULATION RESISTANCE: 3000 MEGOHMS MINIMUM
  - CURRENT RATING: 5 AMPS MAXIMUM
  - OPERATING TEMPERATURE: -40°C TO 85°C
  - TOLERANCE UNLESS INDICATED OTHERWISE: ±.005 [0.13]



CAPACITANCE SCHEMATIC FOR EACH POSITION



SIZE	STYLE	A±.015 [0.38]	B±.005 [0.13]	C±.005 [0.13]	D±.005 [0.13]	E BSC.
E09	PIN	1,213 [30.81]	-----	.666 [16.92]	.984 [24.99]	.432 [10.97]
	SOCKET		.643 [16.33]	-----		
A15	PIN	1,541 [39.14]	-----	.994 [25.25]	1,312 [33.32]	.756 [19.20]
	SOCKET		.971 [24.66]	-----		
B25	PIN	2,088 [53.04]	-----	1,534 [38.96]	1,852 [47.04]	1,304 [33.12]
	SOCKET		1,511 [38.38]	-----		
C37	PIN	2,729 [69.32]	-----	2,182 [55.42]	2,500 [63.50]	1,956 [49.68]
	SOCKET		2,159 [54.84]	-----		

DRAWN K. LAMBIE DATE APR08/05  
 DESIGNED \_\_\_\_\_  
 CHECKED \_\_\_\_\_  
 I. E. APPRD. \_\_\_\_\_  
 Q. A. APPRD. \_\_\_\_\_  
 DWG. APPRD. \_\_\_\_\_  
 ENG. REL. NO. \_\_\_\_\_  
 REF. EAR #12701  
 DIMENSIONS ARE IN INCHES [mm] CODE ID. NO. 03554

**Amphenol Canada Corp.**  
 FCE17 SERIES FILTERED D-SUB CONNECTOR,  
 PIN & SOCKET, RIGHT ANGLE .318 [8.08] F/P,  
 PLASTIC MOUNTING BRACKET & BOARDLOCK,  
 RoHS COMPLIANT  
 DWG. DRAWING NO. P-FCE17-XXXXA-XX0X  
 REF. H  
 SCALE 3/1 WT. ----- SURF. ----- SHEET 1 OF 1



THIS DOCUMENT CONTAINS PROPRIETARY INFORMATION AND SUCH INFORMATION  
 MAY NOT BE DISCLOSED TO OTHERS FOR ANY PURPOSE OR USED FOR MANUFACTURING  
 PURPOSES WITHOUT WRITTEN PERMISSION FROM AMPHENOL CANADA CORP.