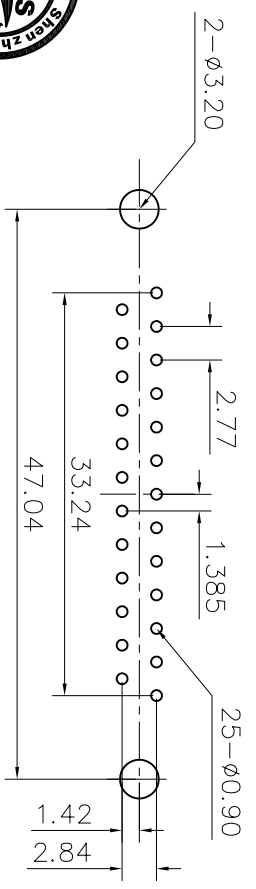
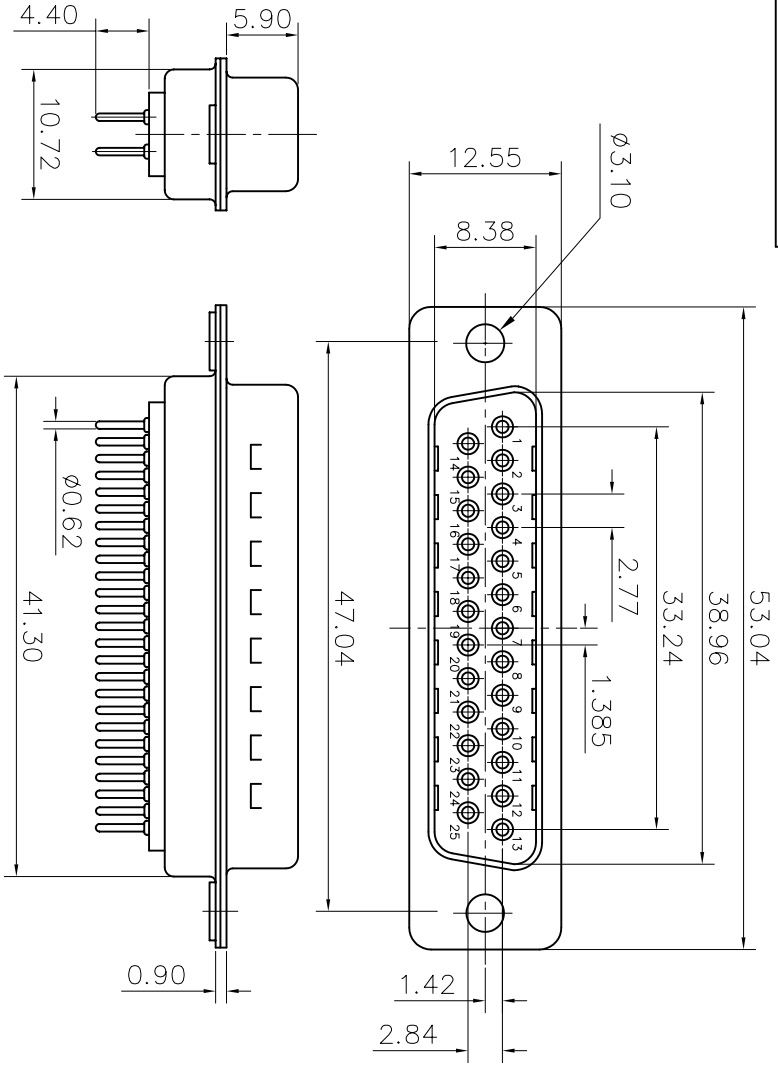


This document is the property of Amphenol Corporation and is delivered on the express condition that it is not to be duplicated, reproduced or used, in whole or in part, for any purpose other than that for which it was prepared by Amphenol Corporation without its prior consent, and that no right is granted to disclose or to use any information in this document.



RECOMMENDED P.C.B LAYOUT  
(TOLERANCE +/-0.03)

# Customer drawing

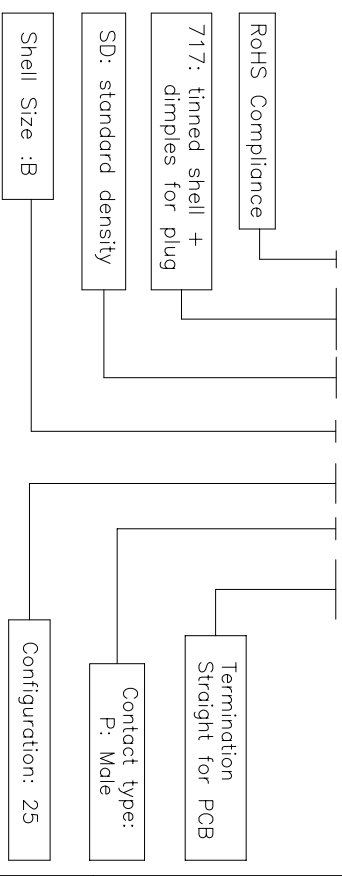
REVISONS		
S/N	DESCRIPTION	DATE
A		10/19/07

## D-SUB TECHNICAL DATA

**SHELL** : Steel, 2.5um (100u") min tin over 1.25um (50u") min nickel  
**BODY** : Glass filled thermoplastic.  
 Flame retarding to UL94 V-0 Color Black  
**CONTACTS** : Brass.  
 Gold flash over 1.25um (50u") min nickel  
**ELECTRICAL** : Voltage rating :1000 V RMS at 50 Hz  
 Current rating 3A.  
 Insulation resistance >1000 M Ohms  
 Contact resistance 20 mOhms max.  
**CLIMATIC** : Temperature range -55 °C up to 125°C  
**MARKING** : Amphenol...(Series No.)  
 Commercial reference  
 Manufacturing date

## PRODUCT CODE

L 717 SD B 25 POL2



DIMENSIONS SPECIFIED		APPROVAL		DATE	
TOLERANCES	U.S.	U.S.	METRIC	DATE	DATE
X	±	0.50		10/19/07	10/19/07
XX	±	0.30			
XXX	±	0.20			
ANGLES	±	2°			
FOR MATERIALS AND FINISHES REMOVE SHARP EDGES					
DRAWING FILE :					
ANGLE OF PROJECTION					
DIMENSIONS					
TYPERS					
SHEET					
MTRIC					
TITLE					
Stamped and Formed connector, SD series					
SIZE: DRAWING NO.		A4		REV.	
SCALE		NONE		A	
SHEET		1 OF 1			