

- NOTES:
- MATERIALS AND FINISHES:  
 BODY, C-NUT - BRASS ASTRO PLATING  
 CONTACT - BERYLLIUM COPPER, SILVER PLATING  
 INSULATOR - PTFE
  - ELECTRICAL:  
 A. IMPEDANCE: 50 OHM  
 B. DIELECTRIC WITHSTANDING VOLTAGE: 1000 VRMS, MIN.
  - MECHANICAL:  
 A. DURABILITY: 500 CYCLES MIN.  
 B. TEMPERATURE RANGE: -65° C TO +165° C
  - PACKAGING:  
 A. QUANTITY: SINGLE PACK  
 B. MARKING: BAG TO BE MARKED  
 "AMPHENOL RF, 82-4438, AND DATE CODE"

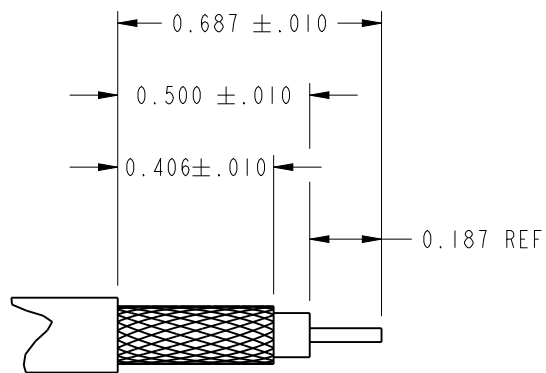
5. SHOWS CABLE ENTRY DIMENSIONS

6. CUSTOMER NOTE: SOLDER CONTACT TO CABLE

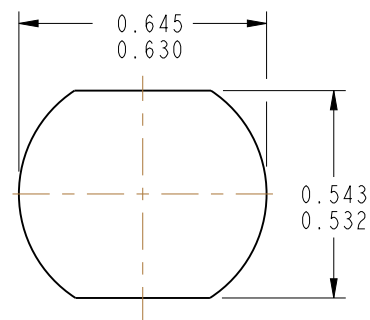
7. CRIMP WITH AMPHENOL TOOL, 227-944 & DIE SET 227-1221-57 CAVITY B OR MILITARY TOOL M22520/1-14

8. CRIMP WITH AMPHENOL TOOL 227-944 & DIE SET 227-1221-57 CAVITY A OR MILITARY TOOL M22520/5-57 CLOSURE A

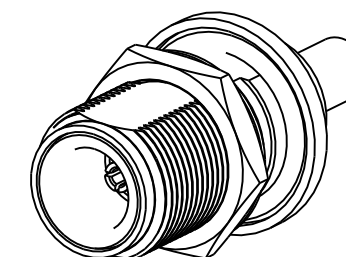
82-4438		REVISIONS			
DRAWING NO.	REV	DESCRIPTION	DATE	ECO	APPR
THIRD ANGLE PROJ.	--	RELEASE TO MFG	----	----	----
	T	SEE SHEET 1 AND COD SHEET ADDED	10/1/12	49251	MG



**RECOMMENDED CABLE STRIPPING DIMENSIONS**

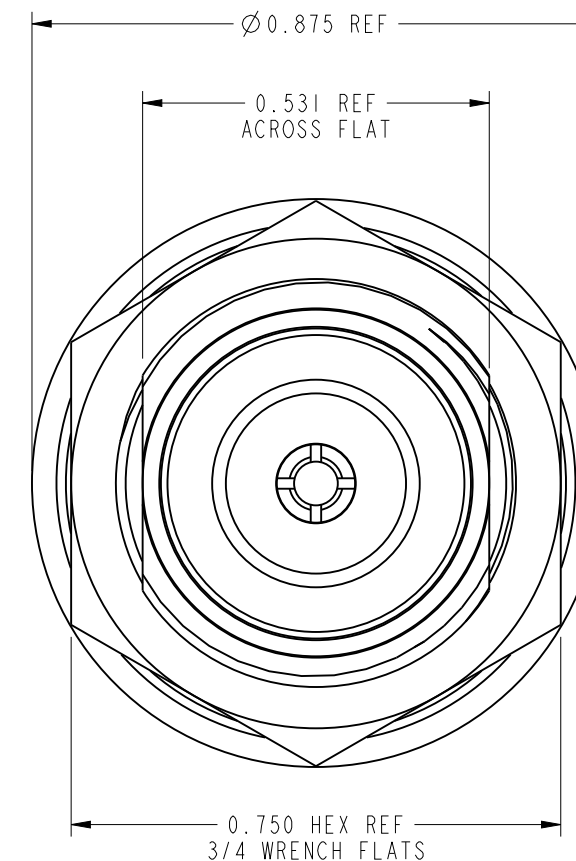
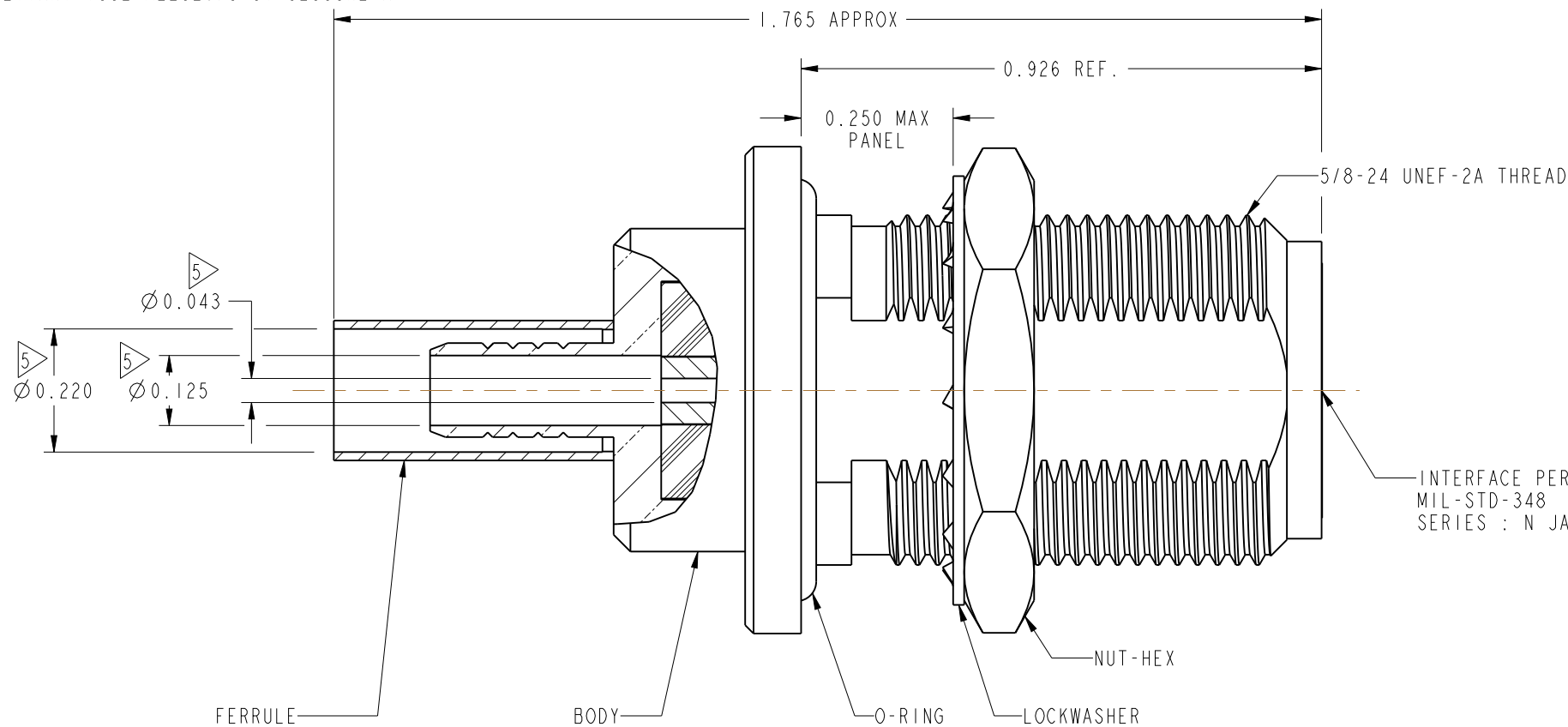


**RECOMMENDED MOUNTING HOLE DETAIL**



SCALE 1.350

**MIL-C-39012 INSPECTION**



**CUSTOMER OUTLINE DRAWING**  
 ALL OTHER SHEETS ARE FOR INTERNAL USE ONLY

**THIS CONNECTOR IS COVERED BY U.S. PATENT 3,439,294 & 3,474,391**

UNLESS OTHERWISE SPECIFIED, DIMENSIONS ARE IN INCHES AND TOLERANCES ARE: 2 PLACE DECIMAL ±.015 (0,381 mm) 3 PLACE DECIMAL ±.005 (0,127 mm) ANGLES ± 1°	MATERIAL SEE NOTES	DRAWN GOPI M	DATE 05-Sep-12	TITLE TYPE N BULKHEAD JACK MIL-CRIMP (CATEGORY D) FOR RG 142 B/U & 400 CABLE		Amphenol RF Danbury, CT, USA Tainan, Taiwan Shenzhen, China www.amphenolrf.com	
	REFERENCE DOR 311671-51 MIL-C-39012/03-0503	ENGINEER K. CAPOZZI	DATE 05-Sep-12			APPROVED K. CAPOZZI	DATE 12-Sep-12
NOTICE - These drawings, specifications, or other data (1) are, and remain the property of Amphenol Corp. (2) must be returned upon request; and (3) are confidential and not to be disclosed to any person other than those to whom they are given by Amphenol Corp. The furnishing of these drawings, specifications, or other data by Amphenol Corp., or to any other person to anyone for any purpose is not to be regarded by implication or otherwise in any manner licensing, granting rights or permitting such holder or any other person to manufacture, use or sell any product, process or design, patented or otherwise, that may in any way be related to or disclosed by said drawings, specifications, or other data.		CAD FILE		CODE ID 74868	DWG SIZE B	DRAWING NO. 82-4438	REV T