

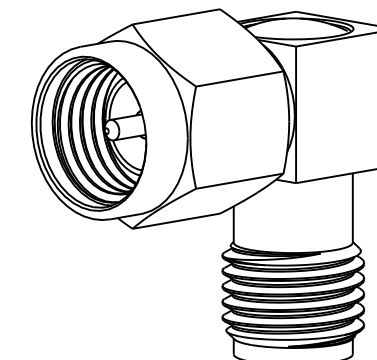
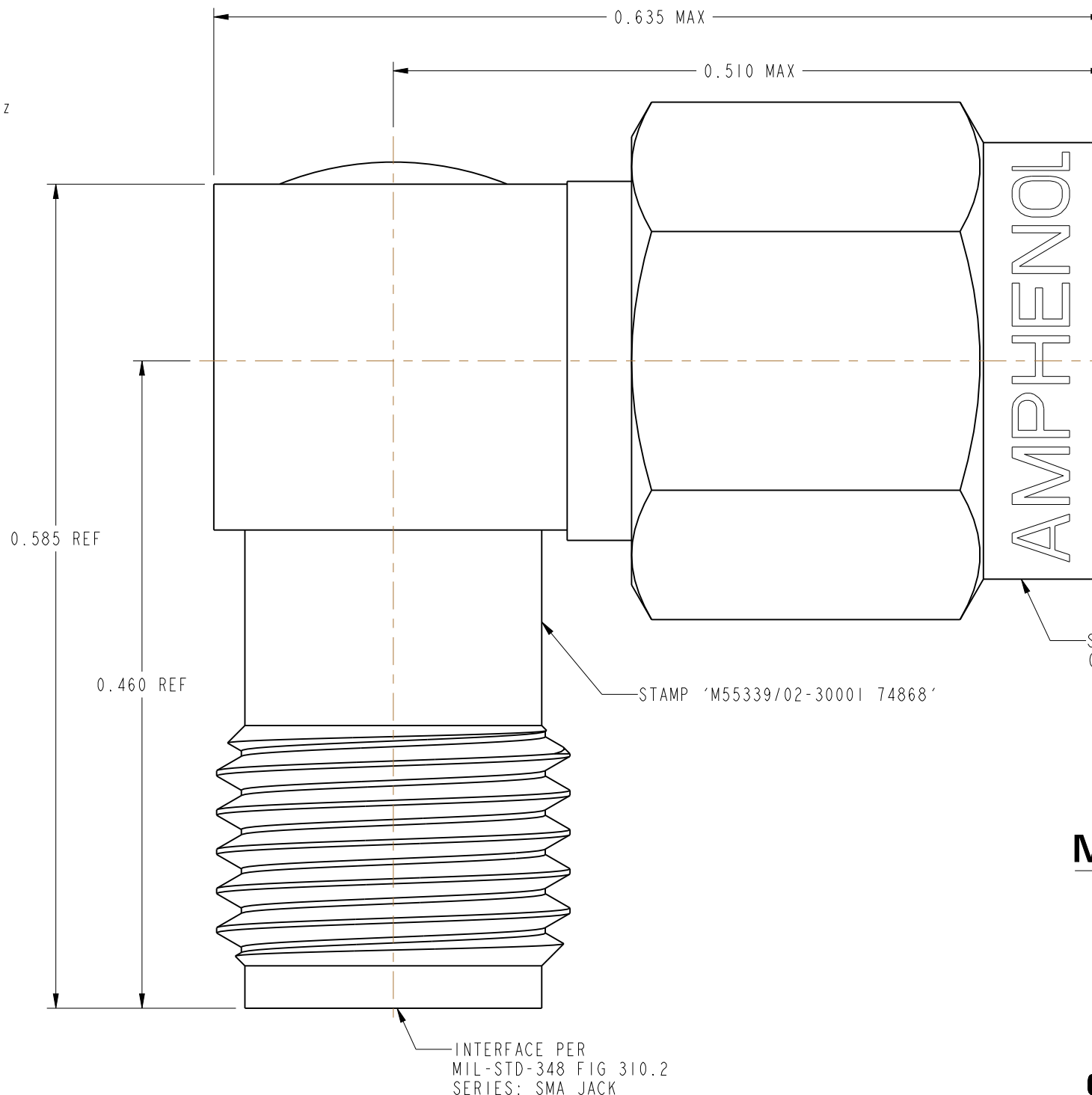
NOTES:

1. MATERIALS AND FINISHES:
 FRONT BODY & REAR BODY - STAINLESS STEEL, PASSIVATED
 FRONT CONTACT & REAR CONTACT - BeCu, GOLD PLATING
 COUPLING NUT & CAP - STAINLESS STEEL, PASSIVATED
 INSULATORS - PTFE, NATURAL
 RETAINING RING - BeCu
 GASKET - SILICONE RUBBER, RED
2. ELECTRICAL:
 A. IMPEDANCE: 50 OHM
 B. VSWR: 1.05 +0.010 F, MAX. @ 0.5 TO 12.4 GHz
3. MECHANICAL:
 A. DURABILITY: 500 CYCLES MIN.
 B. TEMPERATURE RANGE: -65° C TO +165° C
4. PACKAGING:
 A. QUANTITY: SINGLE PACK
 B. MARKING: BAG TO BE MARKED
 "AMPHENOL RF, 901-125-11SF, AND DATE CODE"

THIRD ANGLE PROJ.

REVISIONS

REV	DESCRIPTION	DATE	ECO	APPR
--	RELEASE TO MFG.	--	--	--
G	REDRAWN IN PRO-E & COD ADDED	11/18/15	49751	RAK



SCALE 3.000

MIL-A-55339 INSPECTION

CUSTOMER OUTLINE DRAWING
 ALL OTHER SHEETS ARE FOR INTERNAL USE ONLY

UNLESS OTHERWISE SPECIFIED, DIMENSIONS ARE IN INCHES AND TOLERANCES ARE: 2 PLACE DECIMAL 3 PLACE DECIMAL ANGLES $\pm .015$ (0,381 mm) $\pm .005$ (0,127 mm) $\pm 1^\circ$	MATERIAL	DRAWN	DATE	TITLE SMA ADAPTER RIGHT ANGLE PLUG-JACK MIL-A-55339/02-30001		Amphenol RF www.amphenolrf.com	
	SEE NOTES	ABHAYA KISHORE	04-Oct-13				
NOTICE - These drawings, specifications, or other data (1) are, and remain the property of Amphenol corp. (2) must be returned upon request; and (3) are confidential and not to be disclosed to any person other than those to whom they are given by Amphenol Corp. the furnishing of these drawings, specifications, or other data by Amphenol Corp., or to any other person to anyone for any purpose is not to be regarded by implication or otherwise in any manner licensing, granting rights to permitting such holder or any other person to manufacture, use or sell any product, process or design, patented or otherwise, that may in any way be related to or disclosed by said drawings, specifications, or other data.	REFERENCE	ENGINEER	DATE	SCALE: 10.0:1.0 SHEET 2 OF 2		DRAWING NO.901-125-11SF ITEM NO.901-125-11SF	
	CONFIGURATION LEVEL: In Work	O. BARTHELMS	11/18/13				
	FINISH	APPROVED	DATE		DWG SIZE B REV G		PART NO.901-125-11SF
	O. BARTHELMS	11/18/15					