

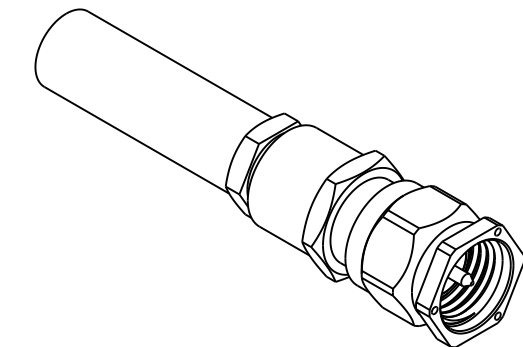
NOTES:

1. MATERIALS AND FINISHES:
 BODY - BRASS, GOLD PLATING PLATING (.0004 THICK)
 CONTACT -BRASS, GOLD PLATING (.0004 THICK)
 INSULATOR - PTFE
 GASKET - SILICONE RUBBER
 FERRULE - BERYLLIUM COPPER, NICKEL PLATING (.0004 THICK)
 RETAINING RING - BERYLLIUM COPPER, GOLD PLATING (.0004 THICK)
 NUT - BRASS, NICKEL PLATING (.0004 THICK)
2. ELECTRICAL:
 A. IMPEDANCE: 50 OHM
 B. DIELECTRIC WITHSTANDING VOLTAGE: 1000 VRMS, MIN.
3. MECHANICAL:
 A. DURABILITY: 500 CYCLES MIN.
 B. TEMPERATURE RANGE: -65° C TO +165° C
4. PACKAGING:
 A. QUANTITY: SINGLE PACK
 B. MARKING: BAG TO BE MARKED
 "AMPHENOL RF. 901-155-12, AND DATE CODE"
5. INDICATES CABLE ENTRY DIMENSIONS
6. FOR CABLE ASSEMBLY INSTRUCTIONS, SEE SHEET 17 OF AMPHENOL SPEC 349-50114,

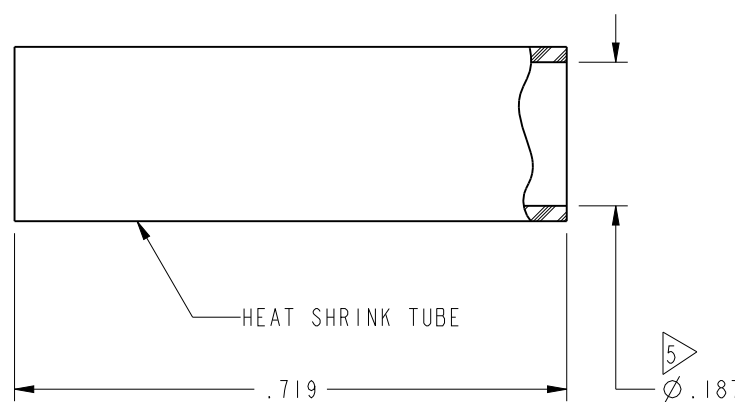
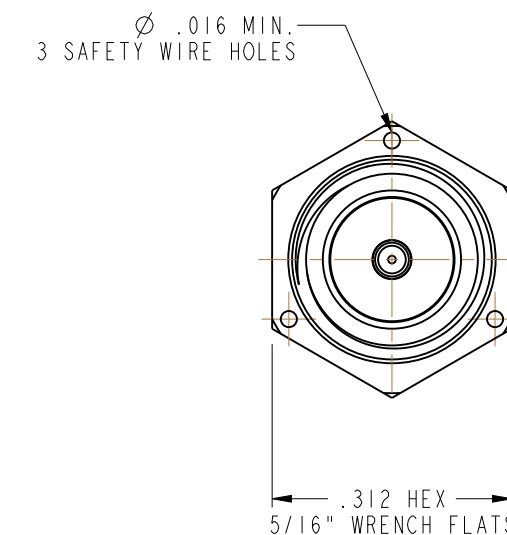
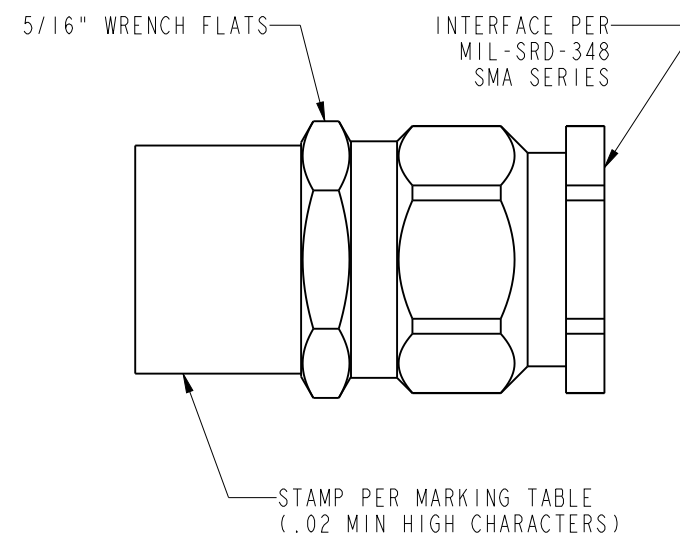
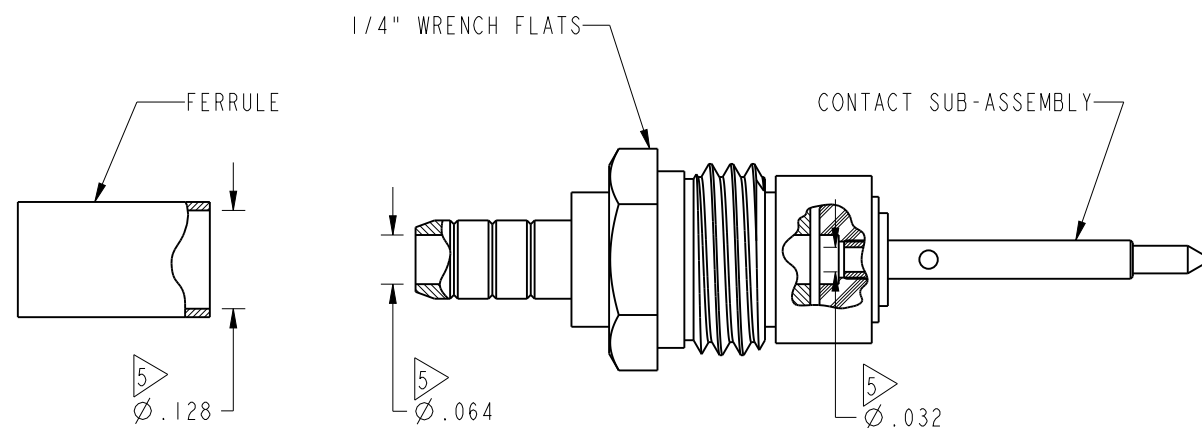
THIRD ANGLE PROJ.

REVISIONS

| REV | DESCRIPTION | DATE | ECO | APPR |
|-----|---|---------|-------|--------|
| -- | OFFICIAL RELEASE TO MFG | 3-13-72 | 19127 | |
| P | REDRAWN TO AUTOCAD WAS 'C' SIZE; DEL NOTES 4, 5 & 14; CHGD NOTE 3; ADD NOTE 15 & PLATE CODES; NOTE 6 '6 LB' WAS 8 LB; DEL HEAT TREAT FROM STAMP | 7-11-96 | 41240 | CPM/PB |
| R | DASH -12 STAMPING WAS '74868 39012/55B4012 YYWW' | 2-9-98 | 42285 | CPM/PB |
| T | REDRAWN IN PRO-E; CUSTOMER SHEET ADDED | 3/3/15 | 50389 | JN |



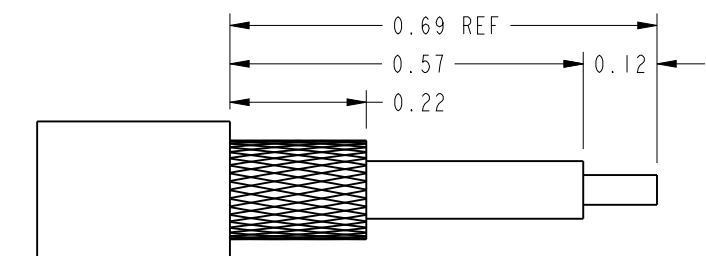
SCALE 2.000



| PART NUMBER | STAMPING |
|-------------|--------------------------|
| 901-155-11 | 74868 M3901/55B4019 YYWW |
| 901-155-12 | 74868 M3901/55B4012 YYWW |

MIL-C-39012 INSPECTION

CUSTOMER OUTLINE DRAWING
 ALL OTHER SHEETS ARE FOR INTERNAL USE ONLY



RECOMMENDED CABLE
 ENTRY DIMENSIONS

| | | | | | | |
|--|--|------------|-----------|---|-----|---|
| UNLESS OTHERWISE SPECIFIED, DIMENSIONS ARE IN METRIC AND TOLERANCES ARE: <0.5mm ± 0.05mm 0.5 - 6mm ± 0.1mm 6 - 30mm ± 0.2mm 30 - 120mm ± 0.3mm ANGLES ± 1° NOTICE - These drawings, specifications, or other data (1) are, and remain the property of Amphenol corp. (2) must be returned upon request; and (3) are confidential and not to be disclosed to any person other than those to whom they are given by Amphenol Corp. the furnishing of these drawings, specifications, or other data by Amphenol Corp., or to any other person to anyone for any purpose is not to be regarded by implication or otherwise in any manner licensing, granting rights to permitting such holder or any other person to manufacture, use or sell any product, process or design, patented or otherwise, that may in any way be related to or disclosed by said drawings, specifications, or other data. | MATERIAL | DRAWN | DATE | TITLE | | Amphenol RF www.amphenolrf.com DRAWING NO. 901-155-XX ITEM NO. 901-155-XX PART NO. 901-155-XX |
| | SEE NOTES | J. NERI | 19-Jan-15 | SPEC. SMA CONNECTOR CRIMP TYPE PLUG FOR RG-174/U & RG-188/U & RG-316/U CABLES | | |
| | REFERENCE AND CONFIGURATION LEVEL: In Work | J. HUBBELL | 19-Jan-15 | SCALE: 4.0:1.0 SHEET 2 OF 2 | | |
| | FINISH | APPROVED | DATE | DWG SIZE | REV | |
| | | K. CAPOZZI | 2/26/15 | B | T | |