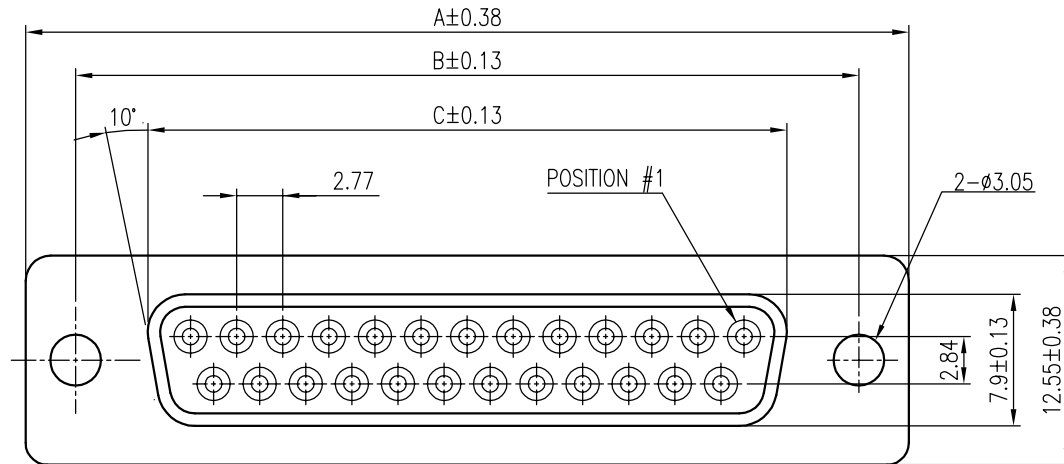


This document is the property of Amphenol Corporation and is delivered on the express condition that it is not to be disclosed, reproduced or used, in whole or in part, for manufacture or sale by anyone other than Amphenol Corporation without its prior consent, and that no right is granted to disclose or to use any information in this document.

CUSTOMER DRAWING ORIGINAL

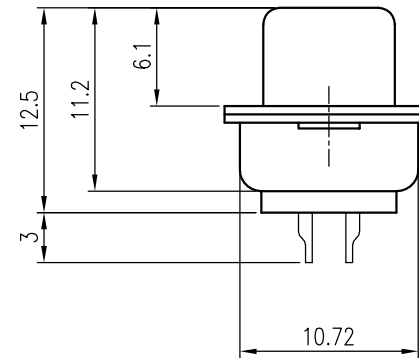
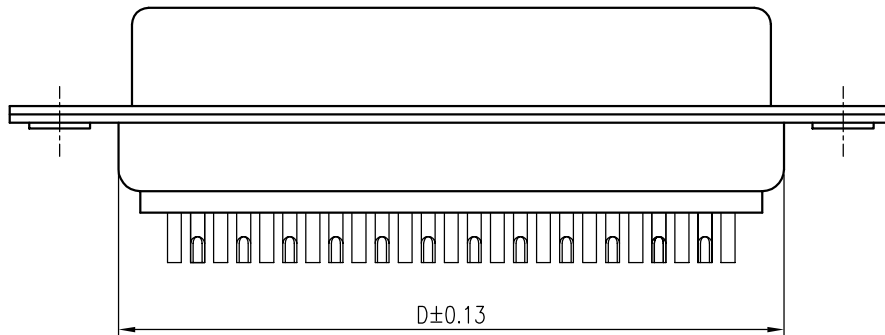
REVISIONS

| SYM | ECN No. | DESCRIPTION | DATE | APPROVED |
|-----|---------|------------------|------------|----------|
| A | | RELEASE FOR RoHS | 07/08/2005 | Henry Ko |



NOTES:

- FRONT & REAR SHELL FINISH: TIN PLATED
- CONTACTS FINISH: SELECTIVE GOLD PLATED
- INSULATOR: PBT, GLASS FIBER FILLED, UL 94V-0, COLOR- BLACK
- THIS PRODUCT DOESN'T CONTAIN ENVIRONMENTAL HAZARDOUS MATERIALS PER DIRECTIVE 2002/95/EC FOR RoHS



| TOLERANCE m/m | |
|----------------------------|-------|
| x. | ±0.30 |
| x.x | ±0.25 |
| x.xx | ±0.15 |
| x.xxx | ±0.08 |
| ANGULAR | ±2° |
| UNLESS OTHERWISE SPECIFIED | |

| PART NUMBERS | NO. OF CONTACTS | DIM. A | DIM. B | DIM. C | DIM. D | APPROVALS | | DATE | TITLE | Amphenol® Amphenol Corporation Amphenol East Asia Limited | | |
|------------------|-----------------|--------|--------|--------|--------|-------------|--------------------------|----------|--|--|-----------------------|------|
| | | | | | | DRAWN | CHECKED | | | | | |
| G17S 090X 110 EU | 9 | 30.84 | 24.99 | 16.24 | 19.28 | Sondra Sang | <input type="checkbox"/> | 07/08/05 | G17S SERIES SOLDER-POT TERMINATION RECEPTACLE | SCALE N.A. SHEET 1 OF 1 | | |
| G17S 150X 110 EU | 15 | 39.24 | 33.32 | 24.56 | 27.51 | Laura Su | <input type="checkbox"/> | 07/08/05 | | | | |
| G17S 250X 110 EU | 25 | 53.04 | 47.04 | 38.38 | 41.30 | Ken Lin for | <input type="checkbox"/> | 07/08/05 | | | | |
| G17S 370X 110 EU | 37 | 69.32 | 63.50 | 54.76 | 57.71 | | | | | | | |
| | | | | | | | UNIT | MM | SIZE | PART NO. | DRAWING NO. | REV. |
| | | | | | | | | | A4 | G17S XXOX 110 EU | DSUB-G17SXXOX110EU-25 | A |