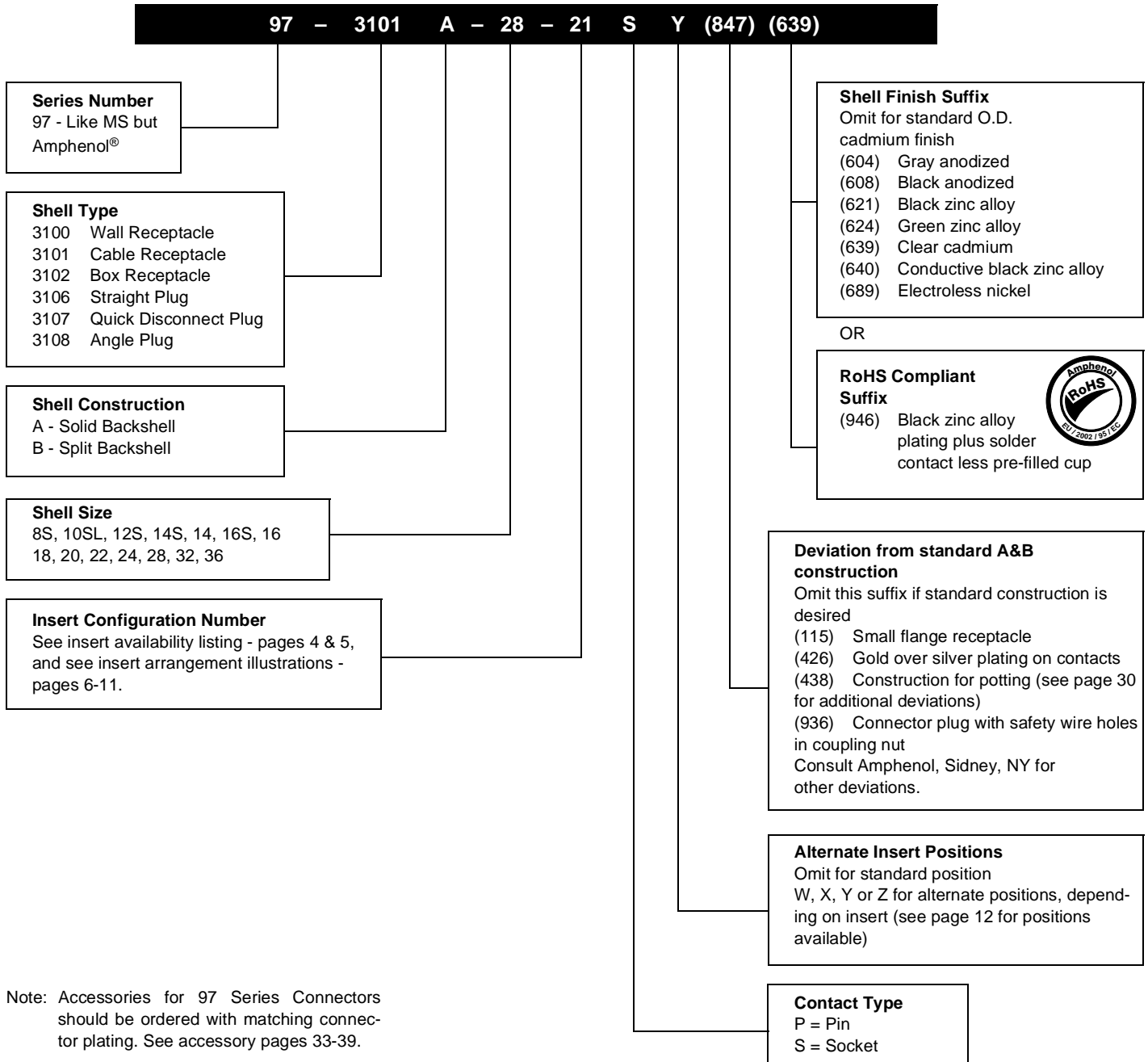


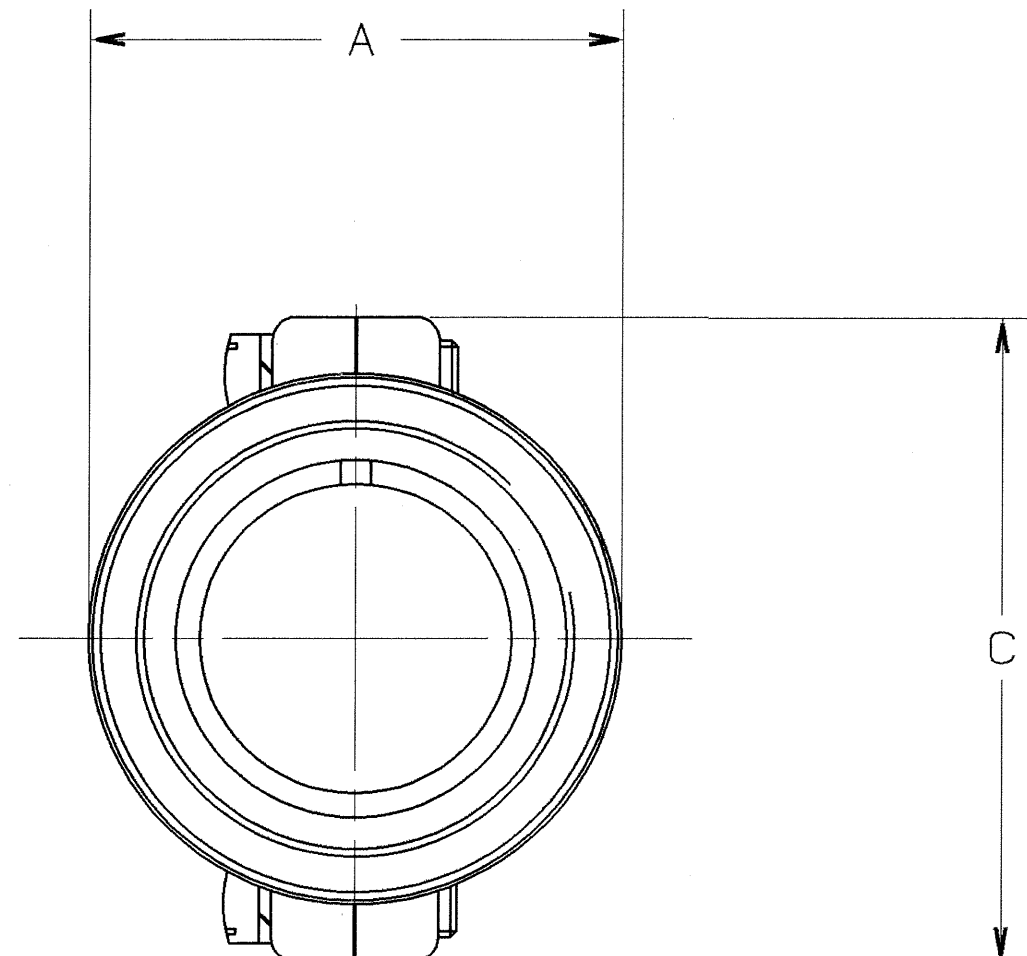
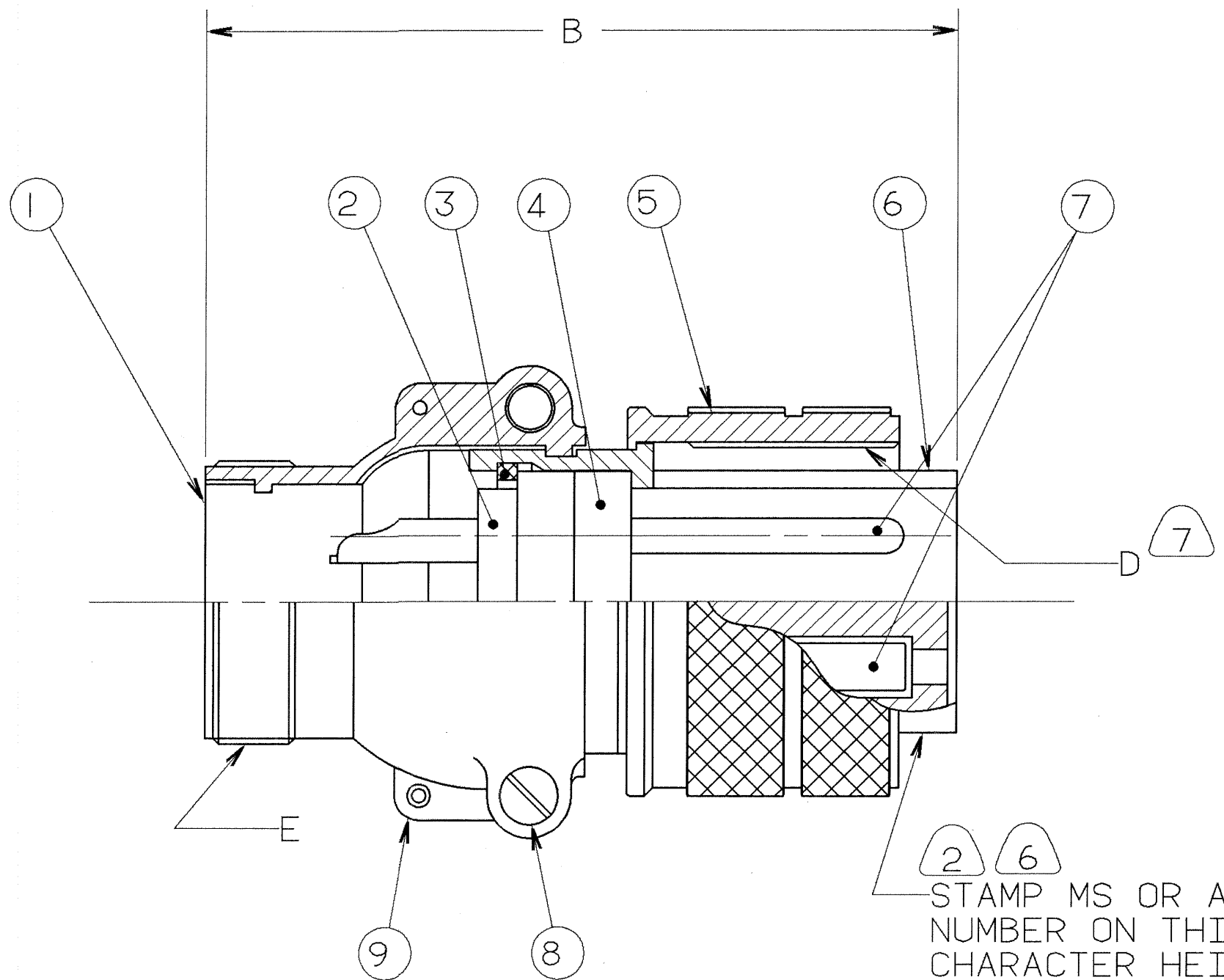
97 series solder type how to order

Example of part number for solder type connectors is given below.



Note: Accessories for 97 Series Connectors should be ordered with matching connector plating. See accessory pages 33-39.

REVISIONS				
ZONE	LTR	DESCRIPTION	DATE	APPROVED
—	C	(CLII) ADDED NOTE 8 ECN:22391	08/29/89 BURNSIDE	m.d. J.B.



FIND NO.	QTY REQD.	FSCM NO.	PART NUMBER	DESCRIPTION	NOTE REF.
9	SEE NOTE		SEE NOTE 1	BACK SHELL, FEMALE	
8				SCREW, BACK SHELL	
7				CONTACTS	
6				SHELL	
5				RING, COUPLING	7
4				INSERT, FRONT	
3				RING, RETAINING	
2				INSERT, REAR	
1				BACK SHELL, MALE	

UNLESS OTHERWISE SPECIFIED
 LINEAR DIMENSIONS ARE IN
 INCHES.
 TOLERANCES: .XXX±.010,
 .XX ±.03, .X ±.1,
 ANGLES ±2°.
 OTHER STANDARDS PER 9-3800
 AND DOD-D-1000.
 NOTE REF. = XX

PARTS LIST					
SPECIFICATIONS	SIGNATURES	DATES	AMPHENOL CORPORATION BENDIX CONNECTOR OPERATIONS SIDNEY, N.Y.		
MATERIAL SPEC. N/A	PREPARED A. PRESCOTT	11/6/87	CONNECTOR, ELECTRICAL PLUG, TYPE 97-3106B, OLIVE DRAB CADMIUM PLATED		
PROCESS SPEC. 9-2437-33	CHECKED PHILPOTT	11/12/87			
	APPROVED BERNHARDT	11/13/87	SIZE	FSCM NO.	REV.
	APPROVED HAYNER	11/17/87	C	77820	C
	1ST PART NO. 10-820126-02P		SCALE	WT.	SHEET
			NONE		1 OF 2

SEE SHEET 2.
 NOTES:

THE USE OF THIS DOCUMENT IS UNLIMITED.
 HOWEVER, DOCUMENTS REFERENCED HEREON
 MAY CONTAIN LIMITED RIGHTS DATA.

N/A
 N/A
 NEXT ASSEMBLY

97-3106B

8/29/89 16:24 * 89241 15:30 * PRELISE * 10-820120/139 0002

4

3

2

1

BENDIX ASSEMBLY NUMBER	AMPHENOL ASSEMBLY NUMBER	MS ASSEMBLY NUMBER	A DIA.	B	C	D THREAD	E THREAD
10-820120-()	97-3106B- 8S -()	MS3106B- 8S -()	NOT AVAILABLE				
10-820121-()	-10S -()	-10S -()	↓				
10-820122-()	-10SL-()	-10SL-()					
10-820123-()	-12S -()	-12S -()					
10-820124-()	-12SL-()	-12SL-()	↓				
10-820125-()	-12 -()	-12 -()					
10-820126-()	-14S -()	-14S -()					
10-820127-()	-14 -()	-14 -()	NOT AVAILABLE				
10-820128-()	-16S -()	-16S -()	1.250	1.688	1.250	1.0000-20 UNEF-2B	.8750-20 UNEF-2A
10-820129-()	-16 -()	-16 -()	NOT AVAILABLE				
10-820130-()	-18 -()	-18 -()	1.344	2.063	1.641	1.1250-18 UNEF-2B	1.0000-20 UNEF-2A
10-820131-()	-20 -()	-20 -()	1.469	2.125	1.812	1.2500-18 UNEF-2B	1.1875-18 UNEF-2A
10-820132-()	-22 -()	-22 -()	1.594	2.125	1.937	1.3750-18 UNEF-2B	1.1875-18 UNEF-2A
10-820133-()	-24 -()	-24 -()	1.719	2.281	2.063	1.5000-18 UNEF-2B	1.4375-18 UNEF-2A
10-820134-()	-28 -()	-28 -()	1.969	2.281	2.312	1.7500-18 UNEF-2B	1.4375-18 UNEF-2A
10-820135-()	-32 -()	-32 -()	2.219	2.312	2.594	2.0000-18 UNEF-2B	1.7500-18 UNEF-2A
10-820136-()	-36 -()	-36 -()	2.469	2.344	2.848	2.2500-16 UN-2B	2.0000-18 UNEF-2A
10-820137-()	-40 -()	-40 -()	2.812	2.344	3.156	2.5000-16 UN-2B	2.2500-16 UN-2A
10-820138-()	-44 -()	-44 -()	NOT AVAILABLE				
10-820139-()	-48 -()	-48 -()	NOT AVAILABLE				

D

D

C

C

B

B

A

A

TO COMPLETE, ADD APPLICABLE INSERT ARRANGEMENT SUFFIX PER 9-2437-33.

6

8. IDENTIFY PACKAGE WITH APPLICABLE MS OR 97- PART NUMBER PER NOTE 6.
7. APPLY LUBRICANT 9-7568 TO THREADS OF COUPLING RING.
6. FOR BENDIX INSERT ARRANGEMENT SUFFIX -1 THROUGH -49, STAMP MS ASSEMBLY NUMBER. FOR BENDIX INSERT ARRANGEMENT SUFFIX -50 THROUGH -99, AND -AA THROUGH -BC, STAMP AMPHENOL ASSEMBLY NUMBER.
5. FOR CONTACT ARRANGEMENT, SEE MIL-STD-1651 AND L-22208-() THROUGH L-22248-().
4. PACKAGE PER PRODUCTION PROCESS SHEET.
3. UNITS MEET THE APPLICABLE REQUIREMENTS OF MIL-C-5015.
2. SEE WORK ORDER FOR PERMISSIBLE ADDITIONAL OR ALTERNATE STAMPING.
1. SEE SEPARATE PARTS LIST FOR COMPONENT PART NUMBERS AND QUANTITIES.

NOTES:

THE USE OF THIS DOCUMENT IS UNLIMITED. HOWEVER, DOCUMENTS REFERENCED HEREON MAY CONTAIN LIMITED RIGHTS DATA.

SIZE	FSCM NO.	REV.
C	77820	C
SCALE	WT.	REF.
		SHEET 2

COMPUTER GENERATED DRAWING

TAB.

97-3106B