

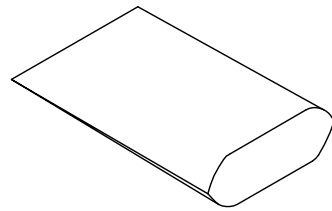
This document is the property of Amphenol Corporation and is delivered on the express condition that is not to be disclosed, reproduced or used, in whole or in part, for manufacture or sale by anyone other than Amphenol Corporation without its prior consent, and that no right is granted to disclose or to use any information in this document.
 The marking on this product doesn't contain environmental hazardous materials per Material Specification 55-00259 for Sony GP compliant or per directive 2011/65/EU for RoHS compliant.



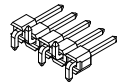
ORIGINAL



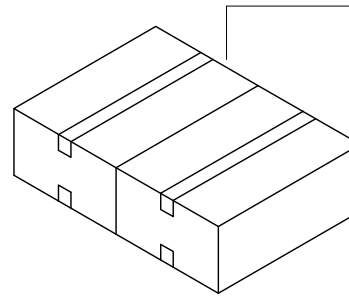
REVISIONS				
SYM	ECN No.	DESCRIPTION	DATE	APPROVED
A	NE-13057	REVISION TO PRODUCTION	05/03/2013	Roger Tsai



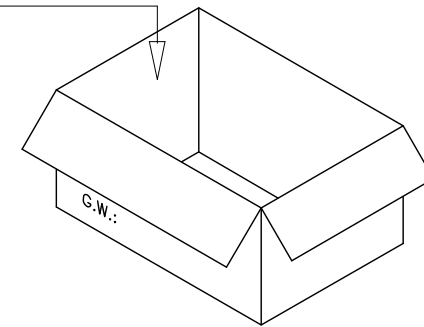
PE BAG



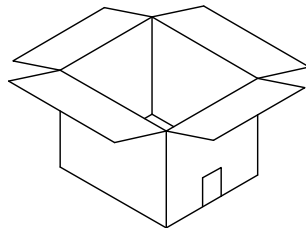
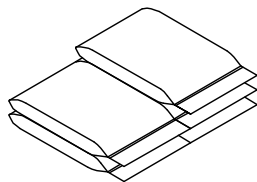
PART NO. G800MR303XXXEU



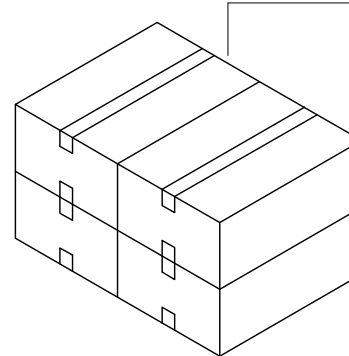
INNER CARTON X2



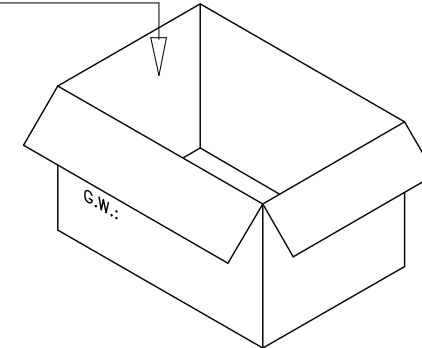
SHIPPING CARTON



INNER CARTON



INNER CARTON X4



SHIPPING CARTON

G800MR 303 XXX EU	1X5	1000	7	21.5X17.5X15	14000 PCS	37X25X21	3.9 KG	4.4 KG	28000 PCS	37X25X33	7.7 KG	8.7 KG
PART NO.	POS.	PCS	PE BAG	SIZE(CM)	2 INNER BOXES	SIZE(CM)	N.W	G.W	4 INNER BOXES	SIZE(CM)	N.W	G.W
				INNER CARTON	2 INNER BOXES/SHIPPING CARTON				4 INNER BOXES/SHIPPING CARTON			

TOLERANCE		APPROVALS		DATE	TITLE G800 SERIES PIN HEADER SINGLE ROW, 2.54 PITCH SMT TYPE	Amphenol® Amphenol Corporation Amphenol Taiwan Corporation		
X.		DRAWN	Aqua Chou	05/03/2013		UNIT mm	SIZE A3	PART No. G800MR303XXXEU
X.X	±0.30	CHECKED	Roger Tsai	05/03/2013				
X.XX	±0.20	APPROVED	Roger Tsai	05/03/2013		SCALE NA	SHEET 2 OF 2	DWG No. G800MR303XXXEU
X.XXX	±0.10	DWG TYPE	CUST DWG	PROJECT CODE	HEAD			
ANGULAR	±1°							
UNLESS OTHERWISE SPECIFIED								